



# FOOD TECHNOLOGY FACT SHEET

## Adding Value to OKLAHOMA

405-744-6071 • [www.fapc.biz](http://www.fapc.biz) • [fapc@okstate.edu](mailto:fapc@okstate.edu)

## Photobioreactor Design for Algal Biomass Production

**Nurhan Dunford**

FAPC Oil/Oil Seed Specialist

### Introduction

In a previous fact sheet (FAPC-191 Algal Biomass Production), the principles of the photosynthetic microalgae cultivation techniques are reviewed. This fact sheet will focus on photobioreactor design and operation.

Photoautotrophic microalgae can be grown in open or closed photobioreactors. Reactors can be operated in continuous, batch or semi-continuous mode and can be installed indoors or outdoors.

### Open Systems

Open ponds were constructed for growing microalgae as a food supplement during World War II. Natural waters (lakes, lagoons, ponds) and artificial ponds, or open top vessels, are constructed outdoors or in green houses and can be used as open photobioreactors.

Typically, open systems are designed and constructed with very shallow depths to facilitate efficient light penetration through the growth medium. Rectangular, circular or raceway ponds (Figure 1) have been utilized for microalgae growth. The culture is usually mixed with a rotating arm built in circular ponds. Raceway ponds, in which cultures are mixed by a paddle wheel and constructed outdoors, are the most common design for commercial operations.

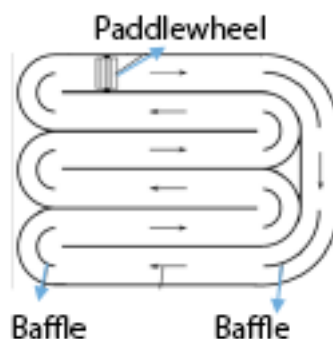
Although the open systems are easy to construct and operate, poor light utilization by the algae cells, evaporative losses, dispersion of CO<sub>2</sub> to the atmosphere and large land area requirement adversely affect their technical and economic feasibility. Contamination by predators and other fast growing heterotrophic microorganisms further limit algae production in open systems to only those organisms that can grow under extreme conditions.

Poor mixing also can be an issue for open systems resulting in low mass transfer rates and consequently lower biomass productivity.

Sizes of the commercial ponds vary depending on land availability and production capacity. Raceway type ponds usually cover 1000–5000 m<sup>2</sup>. The maximum productivity of the open ponds is quite low at 0.5–0.7 g dry algal biomass/L growth medium.

### Closed Systems

Closed systems (Figure 2) can be categorized according to the geometrical configuration (i.e. tubular, flat panel, conical etc.) and orientation of the vessels (horizontal, vertical or inclined), the systems use for circulating and illuminating the culture and the gas exchange, the arrangement of the individual growth units/reactors (series or parallel) and the materials of construction (glass, plastic). The following factors need to be considered during the reactor design: a) effective and efficient illumination, b) proper CO<sub>2</sub> supply with minimum losses, c) removal of photosynthetically generated oxygen that may inhibit cell growth and d) scalability of the reactor design.

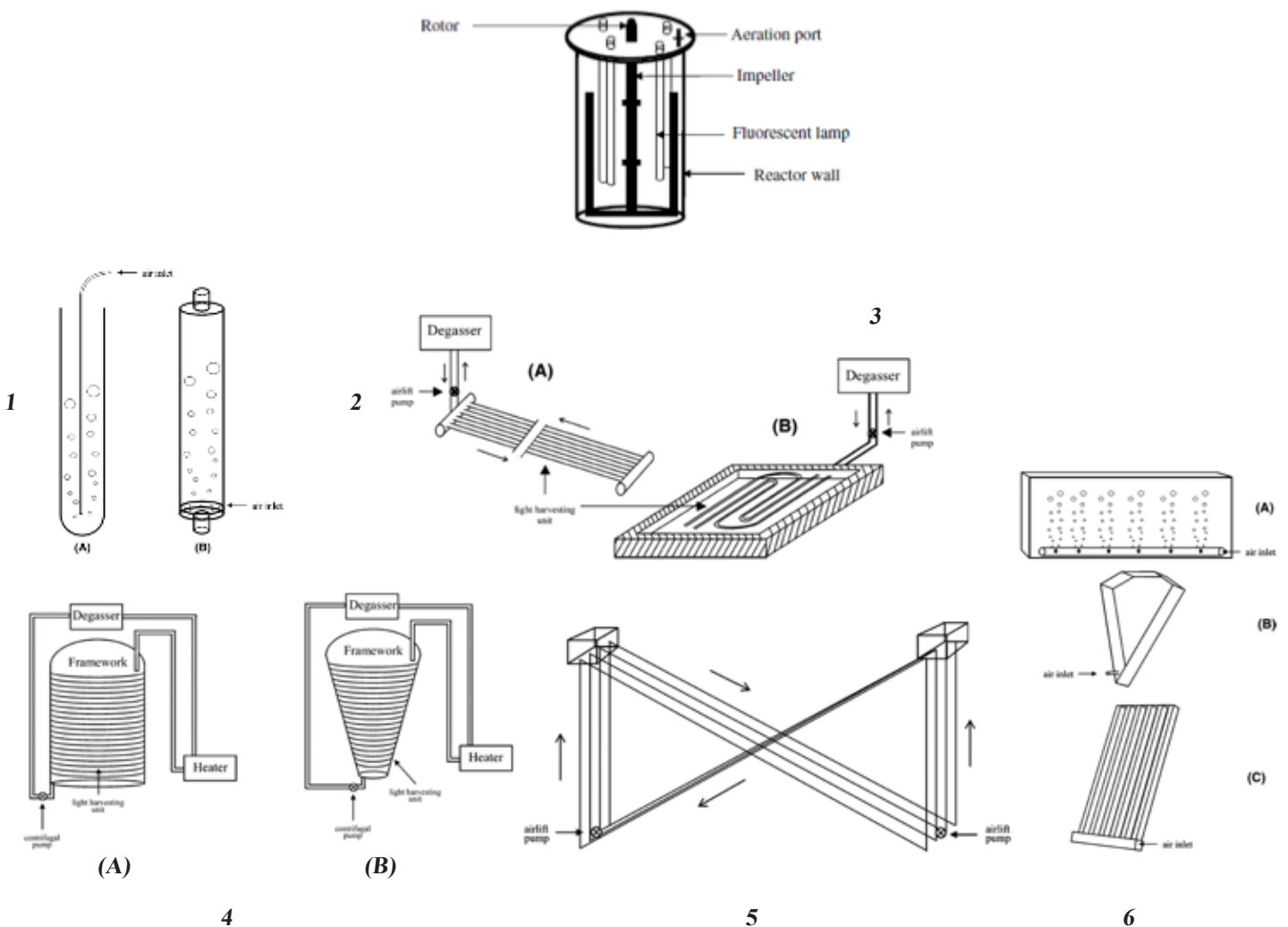


**Figure 1:** A simplified diagram of a raceway pond.

Tubular or flat panel designs have been used for algal biomass production. Tubular photobioreactors are the most common systems for large-scale production of algal biomass. Due to the high cost of construction and operation, the closed systems are mostly used for the production of high value products.

Some processing parameters such as nutrient supply can easily be controlled in a closed reactor. Solar radiation is more difficult to regulate. In dense cultures large number of cells impede light penetration and absorption. This phenomenon is known as “self-shading.”

Fluid dynamics in the reactor not only affects light availability but also nutrient and CO<sub>2</sub> availability to the cells. A large illuminated reactor area to volume ratio, easier temperature regulation and ease of generating a turbulent flow when needed are the major advantages of the closed systems as compared to the open systems. Flat panel reactors are designed to have a short light path resulting in higher cell densities in the culture medium as compared to tubular reactors. The orientation of the panel reactors can be variable providing an option to maximize exposure to solar energy.



**Figure 2:** Schematic diagrams of various closed photobioreactor designs. 1) Fermenter type, 2) A: Airlift, B: bubble column, 3) tubular reactor with degassing and light harvesting units, composed of parallel sets of tubes (A) or a loop tube (B), 4) helical tubular reactors: Biocoil (A) and conical framework (B), 5)  $\alpha$ -shaped reactor, 6) flat panel reactors: flat panel bubbled at the bottom (A), V-shaped panel (B) and alveolar panel (C). The reactor designs were adapted from the following publication with the copyright permission from the publisher; *Microalgal Reactors: A Review of Enclosed System Designs and Performances*. Ana P. Carvalho, Luis A. Meireles, and F. Xavier Malcata *Biotechnol. Prog.* 2006, 22, 1490-1506.

Both tubular and flat panel reactors may have separate units for gas transfer and light harvesting, which employs small diameter tubing to provide a high area to volume ratio promoting high photosynthetic activity. In bubble column reactors and vertical tubular reactors, air is bubbled at the bottom. This provides good mixing, sufficient supply of CO<sub>2</sub> and efficient removal of O<sub>2</sub> generated during photosynthesis. In horizontal tubular reactors, gas transfer takes place in tube connections or in a separate gas exchange unit. Gas transfer units may hold up to 20 percent of the culture volume. The culture is circulated between gas transfer and light harvesting units by a pump, which needs to be carefully designed and operated in order to avoid shearing and disrupting algal cells. Temperature control in tubular reactors may be achieved by spraying water over the reactors, submerging the tubes in cold water or shading the reactors, which could be expensive.

Helical tubular reactor design, which is one of the most effective and high area to volume ratio reactor designs, is constructed of a set of 3 cm inner diameter polyethylene tubes coiled on an open circular framework. A light source can be placed inside the coil. A centrifugal pump is required to drive the culture to the upper sections of the tubing. This may increase shear stress on the algae cells.

In an  $\alpha$ -shaped reactor, it is possible to achieve a high flow rate with relatively low air supply rates in the rising tubes. The ascending and descending trajectories are placed at a 45-degree angle to sunlight, hence light harvesting is quite efficient. V-shaped reactor design provides a very high mixing rate with very low shear stress. Alveolar panel reactors result in very high photosynthetic activity; however, oxygen buildup in the system is a disadvantage. Fermenter-type reactors have a very low area to volume ratio. Sophisticated internal illumination systems, such as fluorescent lamps placed inside narrow glass or Plexiglas tubes, have been tested to improve light availability to the cells. Fermenter-type reactors can be operated in batch, semi-continuous and continuous modes. The process parameters can be fully controlled in this type of reactor; hence, axenic cultures can be maintained for long periods.

Continuous supply of CO<sub>2</sub> to the microalgae cultures is expensive. Thus discontinuous delivery systems are commonly used. Monitoring the pH of the medium can control the CO<sub>2</sub> supply to the medium, but the best way is to measure the actual dissolved oxygen and CO<sub>2</sub> in the culture by using probes. Although bubbling CO<sub>2</sub> enriched air at the bottom of the reactor is the most common practice, utilization of hollow-fiber membranes for gas supply enhances mass transfer and decreases costs by recirculating unused gas and using lower gas pressures.

### **Advantages of Open and Closed Systems**

1. Higher biomass productivity in closed systems (40-75 and 250-365 metric tons of dry algae/hectare-year in open and closed systems, respectively).
2. Flexibility in algae strain selection for closed systems.
3. Closed systems have longer cultivation period than the open systems.

### **Disadvantages of Open and Closed Systems**

1. Higher capital cost of closed systems as compared to the open ones.
2. Large land requirement for open ponds.
3. Difficulty in maintaining monocultures in open systems.
4. Difficulty in controlling the process parameters (water evaporation rates, contamination etc.) in open systems.
5. Fouling of the reactor reducing light availability to the cells, consequently lowering biomass productivity in closed systems.
6. Difficulty in controlling the temperature in closed systems that are built outside the moderate climate zones.
7. Relatively small illuminated area to volume ratio in closed systems as compared to open ponds.

## The Oklahoma Cooperative Extension Service Bringing the University to You!

The Cooperative Extension Service is the largest, most successful informal educational organization in the world. It is a nationwide system funded and guided by a partnership of federal, state, and local governments that delivers information to help people help themselves through the land-grant university system.

Extension carries out programs in the broad categories of agriculture, natural resources and environment; home economics; 4-H and other youth; and community resource development. Extension staff members live and work among the people they serve to help stimulate and educate Americans to plan ahead and cope with their problems.

Some characteristics of Cooperative Extension are:

- The federal, state, and local governments cooperatively share in its financial support and program direction.
- It is administered by the land-grant university as designated by the state legislature through an Extension director.
- Extension programs are nonpolitical, objective, and based on factual information.
- It provides practical, problem-oriented education for people of all ages. It is designated to take the knowledge of the university to those persons who do not or cannot participate in the formal classroom instruction of the university.
- It utilizes research from university, government, and other sources to help people make their own decisions.
- More than a million volunteers help multiply the impact of the Extension professional staff.
- It dispenses no funds to the public.
- It is not a regulatory agency, but it does inform people of regulations and of their options in meeting them.
- Local programs are developed and carried out in full recognition of national problems and goals.
- The Extension staff educates people through personal contacts, meetings, demonstrations, and the mass media.
- Extension has the built-in flexibility to adjust its programs and subject matter to meet new needs. Activities shift from year to year as citizen groups and Extension workers close to the problems advise changes.