

NETWORK SYNTHESIS USING NULLATORS

AND NORATORS

By

FUN YE

//

Bachelor of Science  
National Taiwan University  
Taipei, Taiwan  
1964

Master of Science  
Oklahoma State University  
Stillwater, Oklahoma  
1968

Submitted to the Faculty of the Graduate College  
of the Oklahoma State University  
in partial fulfillment of the requirements  
for the Degree of  
DOCTOR OF PHILOSOPHY  
May, 1972

UNIVERSITY OF CALIFORNIA LIBRARY

THESIS

Thesis  
19720  
Y37n  
cop2

1972

1972

UNIVERSITY OF CALIFORNIA LIBRARY

UNIVERSITY OF CALIFORNIA LIBRARY

UNIVERSITY OF CALIFORNIA LIBRARY

1972

UNIVERSITY OF CALIFORNIA LIBRARY

UNIVERSITY OF CALIFORNIA LIBRARY

UNIVERSITY OF CALIFORNIA LIBRARY

1972

UNIVERSITY OF CALIFORNIA LIBRARY

UNIVERSITY OF CALIFORNIA LIBRARY

UNIVERSITY OF CALIFORNIA LIBRARY

UNIVERSITY OF CALIFORNIA LIBRARY

UNIVERSITY OF CALIFORNIA LIBRARY

1972

AUG 16 1973

NETWORK SYNTHESIS USING NULLATORS  
AND NORATORS

Thesis Approved:

*Nao Yenlagadda*  
\_\_\_\_\_  
Thesis Adviser

*R. L. Lingelbach*  
\_\_\_\_\_

*Joe L. Howard*  
\_\_\_\_\_

*Charles M. Bacon*  
\_\_\_\_\_

*D. Hurham*  
\_\_\_\_\_  
Dean of the Graduate College

## ACKNOWLEDGMENTS

First of all, I would like to express my sincere gratitude to Dr. Rao Yarlagadda, my thesis adviser, for his guidance and contributions without which this thesis would not have been possible.

I appreciate the assistance and help of Dr. Daniel D. Lingelbach, the chairman of my committee.

I also appreciate the assistance and encouragement of the other members of my committee, Dr. Charles M. Bacon and Dr. Joe L. Howard.

I owe a special thanks to Mr. Andrew Y. Lee for his interest and suggestions.

I would like to appreciate the encouragement of my father, and the understanding and patience of my wife, Lily, during the writing of this thesis.

Finally, I gratefully acknowledge the financial support from the National Science Foundation under Projects GK-1722 and GU-3160 during my doctoral studies.

## TABLE OF CONTENTS

Chapter	Page
I. INTRODUCTION . . . . .	1
1.1 Statement of the Problem . . . . .	1
1.2 Review of the Literature . . . . .	3
1.3 Technical Approach . . . . .	4
1.4 Organization of the Thesis . . . . .	7
II. ANALYSIS -- THEOREM AND STATE MODELS . . . . .	8
2.1 Introduction . . . . .	8
2.2 Analysis of Networks Containing Nullators and Norators . . . . .	8
2.3 State Model of a Class of Networks . . . . .	15
2.4 Simplified State Model . . . . .	25
III. SYNTHESIS OF THE A-MATRIX . . . . .	27
3.1 Introduction . . . . .	27
3.2 Preliminary Considerations . . . . .	28
3.3 Synthesis of an A-Matrix in Companion Matrix Form . . . . .	30
3.4 Building Blocks . . . . .	42
3.5 Use of the Building Blocks . . . . .	44
3.6 Change of Capacitor Element Values . . . . .	45
3.7 Synthesis of an Arbitrary A-Matrix . . . . .	47
3.8 Synthesis of a Tridiagonal A-Matrix . . . . .	51
3.9 Comparison of the Synthesis Procedures . . . . .	68
IV. SYNTHESIS OF TRANSFER FUNCTIONS, IMMITTANCE MATRICES, AND GYRATORS . . . . .	70
4.1 Introduction . . . . .	70
4.2 Synthesis of Transfer Functions . . . . .	70
4.3 Synthesis of Short-Circuit Admittance Matrices . . . . .	77
4.4 Synthesis of Gyrators Using State-Model Approach . . . . .	83
4.5 Synthesis of Open-Circuit Impedance Matrices . . . . .	88
4.6 Synthesis of Hybrid Matrices . . . . .	92
4.7 Synthesis of Voltage and Current Transfer- Function Matrices . . . . .	94

Chapter	Page
V. SYNTHESIS OF LOW-PASS FILTERS . . . . .	98
5.1 Introduction . . . . .	98
5.2 Transfer Functions of Low-Pass Filters . . . . .	98
5.2.1 Case I . . . . .	100
5.2.2 Case II . . . . .	103
5.2.3 Case III . . . . .	104
5.2.4 Case IV . . . . .	105
5.3 Synthesis of Low-Pass Filters . . . . .	106
5.4 Synthesis of RLC Low-Pass Filters With Prescribed Source and Load Resistance . . . . .	111
5.4.1 Necessary Background . . . . .	112
5.4.2 Derivation of $c$ . . . . .	114
VI. SUMMARY AND SUGGESTIONS FOR FURTHER STUDY . . . . .	122
6.1 Summary . . . . .	122
6.2 Suggestions for Further Study . . . . .	123
BIBLIOGRAPHY . . . . .	125

LIST OF TABLES

Table	Page
2.2.1 Classification of Element Types . . . . .	10
2.2.2 Description of Element Types . . . . .	10
2.2.3 Element Types and Symbols . . . . .	11

## LIST OF FIGURES

Figure	Page
1.1.1 Definition of a Nullator and a Norator . . . . .	1
1.1.2 Nullator-Norator Model of an Ideal Transistor . . . . .	2
3.3.1 Network Graph . . . . .	35
3.3.2 Synthesized Network . . . . .	36
3.3.3 Two Equivalences . . . . .	37
3.3.4 Simplified Synthesized Network . . . . .	37
3.3.5 Example Network Graph . . . . .	40
3.3.6 Example Synthesized Network . . . . .	41
3.4.1 (a) Circuit for Integration; (b) Circuit for Summation (or Inversion) . . . . .	42
3.4.2 Summing Integrator . . . . .	43
3.5.1 Example Synthesized Network . . . . .	45
3.6.1 Synthesized Network Corresponding to Figure 3.3.4 . . . . .	47
3.7.1 Scheme for Synthesizing Network . . . . .	48
3.7.2 Example Synthesized Network . . . . .	49
3.7.3 Scheme for Synthesizing Network Corresponding to Figure 3.7.1 . . . . .	50
3.7.4 Example Synthesized Network Corresponding to Figure 3.7.2 . . . . .	50
3.8.1 Network Graph With $n$ Even . . . . .	57
3.8.2 Synthesized Network . . . . .	57
3.8.3 Network Graph With $n$ Odd . . . . .	62
3.8.4 Synthesized Network . . . . .	62



Figure	Page
3.8.5 Example Network Graph . . . . .	65
3.8.6 Example Synthesized Network . . . . .	66
3.8.7 Fundamental Blocks . . . . .	67
3.9.1 Network for Comparison . . . . .	68
4.2.1 Example A-Matrix Realization . . . . .	73
4.2.2 Example Synthesized Network . . . . .	74
4.2.3 Example A-Matrix Realization . . . . .	76
4.2.4 Example Synthesized Network . . . . .	76
4.3.1 Example Synthesized Network . . . . .	81
4.3.2 Example Synthesized Network . . . . .	82
4.4.1 Synthesized Network for a Gyrator . . . . .	85
4.4.2 Another Synthesized Network for a Gyrator . . . . .	86
4.4.3 Equivalent Three-Transistor Realization of Figure 4.4.2 . . . . .	87
4.5.1 Block Diagram for Realizing an Open-Circuit Impedance Matrix . . . . .	89
4.5.2 Example Synthesized Network . . . . .	91
4.6.1 Example Synthesized Network . . . . .	95
4.7.1 Example Synthesized Network . . . . .	97
5.2.1 Network Configuration for $Y_{21}(s)$ . . . . .	99
5.2.2 Network for Determining the Transfer Function . . . . .	101
5.2.3 Network for Determining the Transfer Function . . . . .	104
5.3.1 Network for Synthesizing a Transfer Function . . . . .	108
5.3.2 Example Synthesized Network . . . . .	110
5.4.1 Ladder Network With n Even . . . . .	113
5.4.2 Example Synthesized Network . . . . .	121

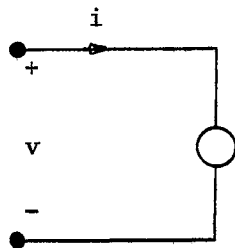
## CHAPTER I

### INTRODUCTION

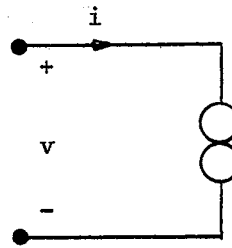
#### 1.1 Statement of the Problem

The nullator and the norator have been of much interest in active-network studies since they were proposed in 1961. Network analysis and synthesis with such elements have been reported.

The nullator is a two-terminal element for which the voltage across and the current through this element are always zero. The norator is a two-terminal element for which the voltage across and the current through this element are arbitrary and can independently take on any values which are determined by external circuits. The two elements are shown schematically in Figure 1.1.1.



Nullator  
 $v = 0, i = 0$



Norator  
 $v, i$  arbitrary

Figure 1.1.1. Definition of a Nullator and a Norator

From the above definition, the behavior of the nullator and norator seems paradoxical, and it appears unlikely that there exists any meaningful physical realizations for them, when considered individually. However, they are useful in active-network theory. For example, an ideal transistor can be represented by a nullator-norator pair as shown in Figure 1.1.2 (28). In addition, a negative impedance converter (NIC) and an ideal gyrator can be realized by using nullator-norator pairs. A two-port with a nullator as port 1 and a norator as port 2 is called a nullor. The representation of an ideal transistor using a nullor also has been reported (26).

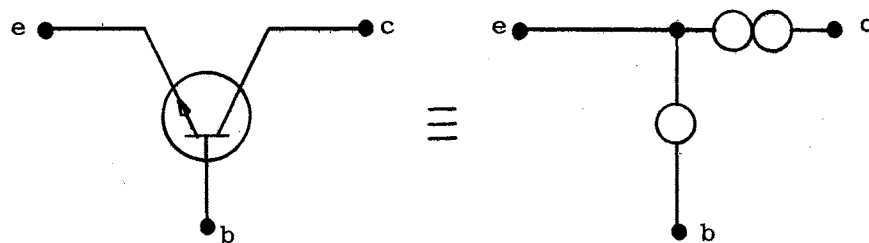


Figure 1.1.2. Nullator-Norator Model of an Ideal Transistor

Because of the extraordinary behavior exhibited by the nullator and norator, the conventional node-mesh techniques of analysis of networks containing such elements will fail. Thus, it requires certain modifications to conventional methods. Blackwell and Grigsby (5) have presented a theorem discussing the topological configuration of a system containing components with both through and across variables specified. They

found that there exist two formulation trees, each consisting of proper components, if the system equations have a unique solution. This formulation can be applied in analyzing a network containing the nullator and norator.

The results presented in (5) do not cover the synthesis, but their formulation procedure gives an insight into the design of active networks containing nullators and norators. In this thesis, a systematic network synthesis procedure using resistors, capacitors and nullator-norator pairs is derived. The state model is used in the synthesis procedure.

## 1.2 Review of the Literature

Carlin and Youla (9) first proposed the nullator and norator in 1961 to demonstrate the use of negative resistors in network synthesis. Carlin (10) combined these two elements to form a two-port, the nullor, which is a unique active building block.

Since the nullator, norator and nullor were proposed, many papers have been written on these elements. Some of these papers are concerned with the analysis of networks containing such elements and others with the synthesis. In dealing with the synthesis, the task always is to obtain equivalent network using the nullator and norator for a particular physical device.

Davies (14) presented a topological method of analysis of networks containing the nullator and norator, whereas a simplified topological solution of such networks was presented by Brayshaw (7). Martinelli (26) presented some properties of the nullor, and described the possibility of synthesizing any rational immittance or scattering matrix by

means of only positive resistors, nullors, and lossless elements which can be inductors or capacitors. Davies (15) demonstrated the significance of nullators, norators and nullors in active-network theory, including a brief description of the synthesis of immittance matrices. Davies (16) also obtained nullator-norator models of controlled sources.

Antoniou (1) used the equivalence of an infinite-gain controlled source to a nullor to obtain new gyrator circuits. A procedure to generate all gyrators of a certain class using the nullator and norator was developed by Daniels (12), who also has presented a novel technique to derive the converter-inverter circuits using the nullator and norator (13). Bendik (4) used the nullator and norator as network elements to obtain gyrator circuits.

Martinelli (26) demonstrated the nullor model of an ideal transistor, whereas Myers (30) gave the nullator-norator T-model of an ideal transistor. Braun (6) obtained equivalent NIC networks using nullators and norators.

A synthesis procedure to realize non-reciprocal networks using unitors, which are essentially equivalent to three-terminal nullors, has been presented by Keen (23), who showed that classical passive network synthesis procedures can be unified and generalized by the introduction of unitors.

### 1.3 Technical Approach

The synthesis presented in this thesis is based upon a theorem which ensures the existence of a unique solution for networks containing nullators and norators. State-model approach is used to obtain the realization. The realization of the state model is achieved by first

considering the realization of the operator matrix which is normally called the A-matrix. This obviously corresponds to source-free networks.

The A-matrix considered is in the companion matrix form and its realization is obtained by using the following steps.

- (1) Start with an arbitrary network consisting of resistors, capacitors, nullators and norators, without any sources.
- (2) Write the cut-set, circuit, and component equations in symbolic form.
- (3) Derive the state model, thus obtaining the A-matrix in symbolic form.
- (4) Compare the given A-matrix in companion matrix form with the A-matrix in symbolic form just derived to obtain the topology and the element values of the desired network.
- (5) Simplify the realized network, if possible.

The above procedure results in a realization with a simple topology. From this, a scheme to realize any entry of the A-matrix is derived. This is used to obtain the realization of an arbitrary A-matrix. A special case is the A-matrix in tridiagonal form, whose realization resulted from using the above steps, possesses another simple topology. Further, there exists another scheme to realize any entry of the A-matrix in tridiagonal form.

The synthesis of transfer functions is considered next. Given a transfer function, a corresponding state model is first derived. Now that the A-matrix realization is accomplished, it remains to take into account the input (source) and the output in realizing the state model.

By inserting the source into and obtaining the output from the realized network for the A-matrix, the realization of the state model is achieved (32). In some cases, controlled sources using the nullator-norator circuits may be required to do this.

Regarding the synthesis of immittance matrices, main efforts are devoted to develop the synthesis procedure for short-circuit admittance matrices. After some manipulations, a "new A-matrix" is obtained from the state model corresponding to a short-circuit admittance matrix, and this new A-matrix is readily realized by the technique developed earlier. A simple modification in the realization of this new A-matrix gives the realization of the short-circuit admittance matrix. For an open-circuit impedance matrix, it is realized through the use of gyrators connected with the realization of a short-circuit admittance matrix which is taken to be the given open-circuit impedance matrix.

The results of the realizations of admittance and impedance matrices are used in the synthesis of hybrid matrices. Realization of voltage and current transfer-function matrices is similar to that of scalar transfer functions.

The realization of the A-matrix in tridiagonal form is found useful in the synthesis of gyrators using the state-model approach since the short-circuit admittance matrix describing a gyrator can be regarded as in tridiagonal form. It results in a three-transistor realization that coincides with one obtained by using other methods (28).

Since it is well known that tridiagonal matrices are related to ladder networks (25), the realization of the A-matrix in tridiagonal form also finds application in realizing low-pass filters. By simply inserting the source and identifying the output at the proper location

of the realized network for an A-matrix in tridiagonal form, its transfer function can be determined to belong to that of a ladder network. In this way, various kinds of transfer functions of low-pass filters can be synthesized using networks containing the nullator and norator.

#### 1.4 Organization of the Thesis

Chapter II presents the analysis of a class of networks containing nullators and norators by means of a theorem. Based upon the conditions described in this theorem, a state model is derived. Then, under some topological constraints, this state model is simplified such that it is suitable for the use of synthesis.

Chapter III presents the synthesis of the A-matrix. This is important in itself and is fundamental to the synthesis considered in the next chapter.

Chapter IV presents the synthesis of transfer functions, immittance matrices and gyrators.

Chapter V presents the synthesis of low-pass filters. A related topic of RLC low-pass filters with prescribed terminal resistances is also treated.

Chapter VI gives a summary and suggestions for further study.



## CHAPTER II.

### ANALYSIS -- THEOREM AND STATE MODELS

#### 2.1 Introduction

In this chapter, analysis of a class of networks containing nullators and norators will be presented. The analysis is presented in terms of a theorem which gives sufficient conditions for this class of networks to have a unique solution of their network equations. This theorem is derived from an analysis about systems containing through-across type drivers by Blackwell and Grigsby (5). Corresponding to this theorem, a state model for such a class of networks is derived. The derivation of the state model is somewhat different from that used in classical RLC networks because of the presence of nullators and norators; the state model formulation requires two properly selected trees. Then, the state model is to be simplified with respect to a subclass of networks, so that it can be used in developing the synthesis procedure in later chapters.

#### 2.2 Analysis of Networks Containing

##### Nullators and Norators

Davies (15) has given four methods to analyze networks containing nullators and norators; namely, the nodal analysis method, the loop analysis method, the practical method, and the topological method. He has demonstrated that analysis of networks containing nullators and

norators is straightforward, and requires only slight modifications to conventional methods. He has also given examples to show that significant simplifications in active-network analysis may be achieved by replacing conventional active elements by equivalent nullator-norator models before commencing the analysis. Blackwell and Grigsby (5) presented a more generalized formulation for the analysis of double-driver systems containing through-across drivers and no-specification components, which determines the network topology when a unique solution of the system equations exists. Since, for the nullator, both the across and through variables are zero, and for the norator, the across and through variables are arbitrary and independent, these two devices can be identified as "through-across driver" and "no-specification component", respectively. The results presented in (5) do not cover the synthesis problem, but their formulation procedure gives an insight into the design of active networks containing nullators and norators. The following theorem is given in (5) and is presented here for ease of reference. The elements used in this theorem are classified in Table 2.2.1, where the number of VC-elements is assumed to be equal to the number of N-elements, and the element variables are displayed in Table 2.2.2.

Theorem (Blackwell and Grigsby). Let a double-driver system, made up of  $e$  elements and containing  $v$  vertices, have a one-part linear graph  $G_b$ . If the system equations  $A_a W_{vt} = 0$ ,  $B_b M_{vt} = 0$ , and  $M_{vt} = Q_q W_{vt}$  have a unique solution; then:

- (1) there exists some tree  $T_1$  of  $G_b$  which contains the M-elements and the N-elements and for which the

TABLE 2.2.1  
CLASSIFICATION OF ELEMENT TYPES

Classification	Description
VC-element	Both through and across variables specified
Q-element	Through and across variable related
M-element	The across variable specified (across driver)
W-element	The through variable specified (through driver)
N-element	No specifications

TABLE 2.2.2  
DESCRIPTION OF ELEMENT TYPES

Matrix Variable	Description
$M_m$	The specified across variable associated with M-element
$W_m$	The through variable associated with M-element
$M_w$	The across variable associated with W-element
$W_w$	The specified through variable associated with W-element
$M_n$	The across variable associated with N-element
$W_n$	The through variable associated with N-element
$M_{vc}$	The specified across variable associated with VC-element
$W_{vc}$	The specified through variable associated with VC-element
$M_q$	The across variable associated with Q-element
$W_q$	The through variable associated with Q-element

W-elements and the VC-elements form a subgraph of the cotree;

- (2) there exists some tree  $T_2$  of  $G_b$  which contains the M-elements and the VC-elements and for which the W-elements and the N-elements form a subgraph of the cotree,

where  $W_{vt}$  and  $M_{vt}$  denote vectors containing component matrix variables in Table 2.2.2, respectively, and  $A_a$ ,  $B_b$ , and  $Q_q$  denote associated matrices.

Now, a theorem which covers the analysis and the synthesis of networks containing nullators and norators is presented. The element types and symbols used in the theorem below and hereafter are shown in Table 2.2.3.

TABLE 2.2.3

## ELEMENT TYPES AND SYMBOLS

Element Type	Symbol	No. of Elements	Voltage Variable Vector	Current Variable Vector
Nullator	VC	$n_{vc}$	$V_{vc}$	$I_{vc}$
Norator	N	$n_n$	$V_n$	$I_n$
Capacitor	C	$n_c$	$V_c$	$I_c$
Resistor	R	$n_r$	$V_r$	$I_r$
Inductor	L	$n_l$	$V_l$	$I_l$
Voltage Source	V	$n_v$	$V_v$	$I_v$
Current Source	I	$n_i$	$V_i$	$I_i$

Theorem 2.2.1 Network Topology to Have a Unique Solution. Let a network have  $e$  elements and  $v$  vertices with the types of the elements as indicated in Table 2.2.3 and let the graph  $G_h$  corresponding to this network be connected. In this network, it is assumed that the number of the nullators,  $n_{vc}$ , is equal to the number of the norators,  $n_n$ . Let:

- (i) there exists some tree  $T_1$  of  $G_h$  which contains the voltage sources and the norators and for which the current sources and the nullators form a subgraph of the cotree;
- (ii) there exists some tree  $T_2$  of  $G_h$  which contains the voltage sources and the nullators and for which the current sources and the norators form a subgraph of the cotree.

Let the cut-set, circuit and component equations now be written as:

$$C_f I_{vt} = 0 \quad (2.2.1)$$

$$B_f V_{vt} = 0 \quad (2.2.2)$$

$$V_r - R_r I_r = 0 \quad (2.2.3a)$$

$$V_c - Z_c I_c = 0 \quad (2.2.3b)$$

$$V_\ell - Z_\ell I_\ell = 0 \quad (2.2.3c)$$

where  $C_f$  and  $B_f$  represent, respectively, the cut-set matrix and the circuit matrix;  $I_{vt}$  and  $V_{vt}$  represent the current vector and the voltage vector containing component current variable vectors and voltage variable vectors as specified in Table 2.2.3, respectively; and  $R_r$ ,  $Z_c$ , and  $Z_\ell$  are diagonal matrices with the diagonal entries representing the

values of resistances, capacitances, and inductances, respectively.

Then, the set of Equations (2.2.1), (2.2.2), and (2.2.3) has a unique solution for some sets of element values of the resistors, capacitors, and inductors.

Proof. Equation (2.2.1), in general terms, can be written as

$$C_{v v} I_v + C_{n n} I_n + C_{c c} I_c + C_{r r} I_r + C_{l l} I_l + C_{v c} I_{v c} + C_{i i} I_i = 0 \quad (2.2.4)$$

where  $C_v$ ,  $C_n$ , ..., and  $C_i$  denote the submatrices of the cut-set matrix  $C_f$ . There are  $v-1$  equations in Equation (2.2.4). Since  $I_{v c} = 0$  and  $I_i$  is specified, Equation (2.2.4) can be rewritten as

$$C_{v v} I_v + C_{n n} I_n + C_{c c} I_c + C_{r r} I_r + C_{l l} I_l = -C_{i i} I_i. \quad (2.2.5)$$

Similarly, Equation (2.2.2) can be written as

$$B_{c c} V_c + B_{r r} V_r + B_{l l} V_l + B_{n n} V_n + B_{i i} V_i = -B_{v v} V_v \quad (2.2.6)$$

where  $B_c$ ,  $B_r$ , ..., and  $B_v$  denote the submatrices of the circuit matrix  $B_f$ . There are  $e-v+1$  equations in Equation (2.2.6), where  $V_v$  is specified.

Let the specified variables be expressed in the form

$$V_{v c} = 0 \quad (2.2.7a)$$

$$I_{v c} = 0 \quad (2.2.7b)$$

$$I_i = J_i \quad (2.2.7c)$$

$$V_v = E_v \quad (2.2.7d)$$

where  $J_i$  and  $E_v$  are known quantities.

Equations (2.2.5), (2.2.6), (2.2.7), and (2.2.3) can be written in matrix equation form:

$$\begin{bmatrix}
 C_v & C_n & C_c & C_r & C_\ell & \cdot & \cdot & \cdot & \cdot & \cdot & \cdot & \cdot & \cdot & \cdot & \cdot & \cdot \\
 \cdot & \cdot & \cdot & \cdot & \cdot & B_i & B_n & B_r & B_c & B_\ell & \cdot & \cdot & \cdot & \cdot & \cdot & \cdot \\
 \cdot & \cdot & \cdot & -R_r & \cdot & \cdot & \cdot & U & \cdot & \cdot & \cdot & \cdot & \cdot & \cdot & \cdot & \cdot \\
 \cdot & \cdot & -Z_c & \cdot & \cdot & \cdot & \cdot & \cdot & U & \cdot & \cdot & \cdot & \cdot & \cdot & \cdot & \cdot \\
 \cdot & \cdot & \cdot & \cdot & -Z_\ell & \cdot & \cdot & \cdot & \cdot & U & \cdot & \cdot & \cdot & \cdot & \cdot & \cdot \\
 \cdot & \cdot & \cdot & \cdot & \cdot & \cdot & \cdot & \cdot & \cdot & \cdot & U & \cdot & \cdot & \cdot & \cdot & \cdot \\
 \cdot & \cdot & \cdot & \cdot & \cdot & \cdot & \cdot & \cdot & \cdot & \cdot & \cdot & U & \cdot & \cdot & \cdot & \cdot \\
 \cdot & \cdot & \cdot & \cdot & \cdot & \cdot & \cdot & \cdot & \cdot & \cdot & \cdot & \cdot & U & \cdot & \cdot & \cdot \\
 \cdot & \cdot & \cdot & \cdot & \cdot & \cdot & \cdot & \cdot & \cdot & \cdot & \cdot & \cdot & \cdot & \cdot & \cdot & U
 \end{bmatrix}
 \begin{bmatrix}
 I_v \\
 I_n \\
 I_c \\
 I_r \\
 I_\ell \\
 V_i \\
 V_n \\
 V_r \\
 V_c \\
 V_\ell \\
 I_i \\
 I_{vc} \\
 V_v \\
 V_{vc}
 \end{bmatrix}
 =
 \begin{bmatrix}
 -C_i J_i \\
 -B_v E_v \\
 0 \\
 0 \\
 0 \\
 J_i \\
 0 \\
 E_v \\
 0 \\
 0 \\
 0 \\
 0 \\
 0 \\
 0
 \end{bmatrix}
 \tag{2.2.8}$$

Consider the coefficient matrix in Equation (2.2.8). By hypothesis, some tree  $T_1$  can be selected according to Condition (i). This is sufficient to ensure that the matrix  $[C_v \ C_n]$  has maximum rank. Since  $n_v + n_n \leq v - 1$ , the rank of  $[C_v \ C_n]$  is equal to  $n_v + n_n$ . Hence, the first  $n_v + n_n$  columns of the coefficient matrix are linearly independent. Similarly, some tree  $T_2$  can be selected according to Condition (ii), which implies that the matrix  $[B_i \ B_n]$  has maximum rank equal to  $n_i + n_n$ . Note that  $n_i + n_n \leq e - v + 1$ . Thus, the  $n_i + n_n$  columns corresponding to  $V_i$  and  $V_n$  are linearly independent. As a result, the only possible linear dependence that can occur is between the  $n_c + n_r + n_\ell$

columns corresponding to  $I_c$ ,  $I_r$ , and  $I_\ell$  and the  $n_r + n_c + n_\ell$  columns corresponding to  $V_r$ ,  $V_c$ , and  $V_\ell$ . In fact, this depends upon the entries in the submatrices  $R_r$ ,  $Z_c$ , and  $Z_\ell$ .

Consequently, with some sets of values of the resistors, capacitors, and inductors, all the columns of the coefficient matrix in Equation (2.2.8) are linearly independent and the coefficient matrix has maximum column rank. Since the coefficient matrix is a square matrix, it follows that it is nonsingular and the set of Equations (2.2.1), (2.2.2), and (2.2.3) has a unique solution. The theorem is now proved.

Theorem 2.2.1 provides a tool for derivation of the synthesis procedure using the state-model approach. The state model for a class of networks containing nullators and norators corresponding to Theorem 2.2.1 will be derived in the next section.

### 2.3 State Model of a Class of Networks

The state models of classical RLC networks have been extensively discussed (35). The fundamental cut-set matrix  $[U C_{f1}]$  and the fundamental circuit matrix  $[B_{f1} U]$  referring to a same tree of an RLC network are known to have the relationship as  $C_{f1} = -B_{f1}^T$ . In this section, the state model of a class of networks consisting of resistors, inductors, capacitors, nullators, norators, voltage sources, and current sources is derived. Although the inductors are not used in the synthesis procedures to be developed later, they are included in the state model for completeness.

The class of networks under consideration is assumed to satisfy Conditions (i) and (ii) of Theorem 2.2.1. Therefore, the first step in the analysis is to select two trees  $T_1$  and  $T_2$  stated in Theorem 2.2.1.



For reasons to be evident later, it is appropriate to write the fundamental cut-set matrix for tree  $T_1$  and the fundamental circuit matrix for tree  $T_2$ . Some relationship does exist between the entries of these two matrices, but different from that mentioned in the preceding paragraph.

The general form of the state model of a network in symbolic form is

$$\frac{d}{dt}x(t) = Ax(t) + Bu(t) + \Lambda \frac{d}{dt} u(t) \quad (2.3.1a)$$

$$y(t) = Cx(t) + Du(t) + \Gamma \frac{d}{dt} u(t) \quad (2.3.1b)$$

where  $x$  represents a state vector consisting of branch capacitor voltage variables and chord inductor current variables;  $y$  is the output vector which can be a current vector or a voltage vector or a combination of these two vectors;  $u$  is a vector consisting of specified drivers (excluding nullators); and the matrices  $A$ ,  $B$ ,  $\Lambda$ ,  $C$ ,  $D$ , and  $\Gamma$  are, in general, rectangular matrices, and some of them may be zero matrices in certain cases. The matrix  $A$  in Equation (2.3.1a) is of special interest and is called the operator matrix or the  $A$ -matrix of the network under consideration. Equation (2.3.1a) and Equation (2.3.1b) are referred, respectively, as the differential set and the algebraic set of the state model. But sometimes, for convenience, the former will be called the state equation, and the latter the output equation.

Before the derivation of the state model, it is to be noted that nothing has been said about topological locations of the resistors, inductors, and capacitors in the networks corresponding to Theorem 2.2.1. In general, the capacitors and the resistors are distributed

among the branches and the chords for both  $T_1$  and  $T_2$ , and the distribution for  $T_1$  may not be the same as that for  $T_2$ . However, the state model will be derived under the restriction that the distributions be the same for both  $T_1$  and  $T_2$ .

The fundamental cut-set equations in symbolic form for  $T_1$  are

$$\begin{array}{c}
 \left[ \begin{array}{c} U \\ \\ U \\ \\ U \\ \\ U \end{array} \right] \left| \begin{array}{ccccc} C_{11} & C_{12} & C_{13} & C_{14} & C_{15} \\ C_{21} & C_{22} & C_{23} & C_{24} & C_{25} \\ 0 & C_{32} & C_{33} & C_{34} & C_{35} \\ 0 & C_{42} & C_{43} & C_{44} & C_{45} \\ 0 & 0 & 0 & C_{54} & C_{55} \end{array} \right. \left. \begin{array}{c} I_v \\ I_{bc} \\ I_n \\ I_{br} \\ I_{bl} \\ \text{---} \\ I_{cc} \\ I_{cr} \\ I_{vc} \\ I_{cl} \\ I_i \end{array} \right] = 0 \quad (2.3.2)
 \end{array}$$

where  $I_{bc}$ ,  $I_{br}$ , and  $I_{bl}$  denote the current vectors of branch capacitors, branch resistors, and branch inductors, respectively; and  $I_{cc}$ ,  $I_{cr}$ , and  $I_{cl}$  denote the current vectors of chord capacitors, chord resistors, and chord inductors, respectively. Note that in Equation (2.3.2),  $C_{51} = C_{52} = C_{53} = 0$ , since each inductive branch defines a cut-set containing only current sources and inductors; and  $C_{31} = C_{41} = C_{51} = 0$ , since if the fundamental circuit equations are written for  $T_1$ , each capacitive chord defines a circuit containing only voltage sources and capacitors.

The fundamental circuit equations in symbolic form for  $T_2$  are

$$\begin{bmatrix} B_{11} & B_{12} & 0 & 0 & 0 \\ B_{21} & B_{22} & B_{23} & B_{24} & 0 \\ B_{31} & B_{32} & B_{33} & B_{34} & 0 \\ B_{41} & B_{42} & B_{43} & B_{44} & B_{45} \\ B_{51} & B_{52} & B_{53} & B_{54} & B_{55} \end{bmatrix} \begin{array}{c} U \\ U \\ U \\ U \\ U \end{array} = \begin{bmatrix} V_v \\ V_{bc} \\ V_{vc} \\ V_{br} \\ V_{bl} \\ \text{---} \\ V_{cc} \\ V_{cr} \\ V_n \\ V_{cl} \\ V_i \end{bmatrix} = 0 \quad (2.3.3)$$

where  $V_{bc}$ ,  $V_{br}$ , and  $V_{bl}$  denote the voltage vectors of branch capacitors, branch resistors, and branch inductors, respectively; and  $V_{cc}$ ,  $V_{cr}$ , and  $V_{cl}$  denote the voltage vectors of chord capacitors, chord resistors, and chord inductors, respectively. In Equation (2.3.3),  $B_{13} = B_{14} = B_{15} = B_{25} = B_{35} = 0$ , for the same reasons as above.

The component equations in symbolic form are

$$\begin{bmatrix} C_b \\ L_c \end{bmatrix} \frac{d}{dt} \begin{bmatrix} V_{bc} \\ I_{cl} \end{bmatrix} = \begin{bmatrix} I_{bc} \\ V_{cl} \end{bmatrix} \quad (2.3.4a)$$

$$\begin{bmatrix} L_b \\ C_c \end{bmatrix} \frac{d}{dt} \begin{bmatrix} I_{bl} \\ V_{cc} \end{bmatrix} = \begin{bmatrix} V_{bl} \\ I_{cc} \end{bmatrix} \quad (2.3.4b)$$

and

$$\begin{bmatrix} V_{br} \\ I_{cr} \end{bmatrix} = \begin{bmatrix} R_b \\ G_c \end{bmatrix} \begin{bmatrix} I_{br} \\ V_{cr} \end{bmatrix} \quad (2.3.4c)$$

where  $C_b$ ,  $L_c$ ,  $L_b$ ,  $C_c$ ,  $R_b$ , and  $G_c$  are diagonal matrices with positive entries.

The state model can be derived by using Equations (2.3.2), (2.3.3), and (2.3.4). Eliminating the branch current variables  $I_{bc}$  and  $I_{bl}$  and the chord voltage variables  $V_{cc}$  and  $V_{cl}$  in Equations (2.3.4a) and (2.3.4b), and combining the resulting equations gives:

$$\begin{bmatrix} C_b - C_{21} C_c B_{12} & 0 \\ 0 & L_c - B_{45} L_b C_{54} \end{bmatrix} \frac{d}{dt} \begin{bmatrix} V_{bc} \\ I_{cl} \end{bmatrix} = \begin{bmatrix} 0 & -C_{24} \\ -B_{42} & 0 \end{bmatrix} \begin{bmatrix} V_{bc} \\ I_{cl} \end{bmatrix} + \begin{bmatrix} 0 & -C_{22} \\ -B_{44} & 0 \end{bmatrix} \begin{bmatrix} V_{br} \\ I_{cr} \end{bmatrix} + \begin{bmatrix} 0 & -C_{25} \\ -B_{41} & 0 \end{bmatrix} \begin{bmatrix} V_v \\ I_i \end{bmatrix} + \begin{bmatrix} C_{21} C_c B_{11} & 0 \\ 0 & B_{45} L_b C_{55} \end{bmatrix} \cdot \frac{d}{dt} \begin{bmatrix} V_v \\ I_i \end{bmatrix}. \quad (2.3.5)$$

Note that in obtaining Equation (2.3.5), the terms associated with  $V_{vc}$  and  $I_{vc}$  are dropped out because  $V_{vc} = 0$  and  $I_{vc} = 0$ . Substituting  $I_{br}$  from Equation (2.3.2) and  $V_{cr}$  from Equation (2.3.3) in Equation (2.3.4c) results in

$$\begin{bmatrix} V_{br} \\ I_{cr} \end{bmatrix} = \begin{bmatrix} U & R_b C_{42} \\ G_c B_{24} & U \end{bmatrix}^{-1} \left\{ \begin{bmatrix} 0 & -R_b C_{44} \\ -G_c B_{22} & 0 \end{bmatrix} \begin{bmatrix} V_{bc} \\ I_{cl} \end{bmatrix} + \begin{bmatrix} 0 & -R_b C_{45} \\ -G_c B_{21} & 0 \end{bmatrix} \begin{bmatrix} V_v \\ I_i \end{bmatrix} \right\} \quad (2.3.6)$$

where the inverse can be found by using the generalized algorithm of Gauss (21) and is

$$\begin{bmatrix} U & R_b C_{42} \\ G_c B_{24} & U \end{bmatrix}^{-1} = \begin{bmatrix} U + R_b C_{42} (U - G_c B_{24} R_b C_{42})^{-1} G_c B_{24} & -R_b C_{42} (U - G_c B_{24} R_b C_{42})^{-1} \\ -(U - G_c B_{24} R_b C_{42})^{-1} G_c B_{24} & (U - G_c B_{24} R_b C_{42})^{-1} \end{bmatrix} \quad (2.3.7)$$

Combining Equations (2.3.5), (2.3.6), and (2.3.7) yields

$$\begin{aligned}
 & \begin{bmatrix} C_b - C_{21} C_c B_{12} & 0 \\ 0 & L_c - B_{45} L_b C_{54} \end{bmatrix} \frac{d}{dt} \begin{bmatrix} V_{bc} \\ I_{cl} \end{bmatrix} = \\
 & \begin{bmatrix} C_{22} \lambda G_c B_{22} & -C_{22} \lambda G_c B_{24} R_b C_{44} - C_{24} \\ -B_{44} R_b C_{42} \lambda G_c B_{22} - B_{42} & B_{44} [U + R_b C_{42} \lambda G_c B_{24}] R_b C_{44} \end{bmatrix} \begin{bmatrix} V_{bc} \\ I_{cl} \end{bmatrix} + \\
 & \begin{bmatrix} C_{22} \lambda G_c B_{21} & -C_{22} \lambda G_c B_{24} R_b C_{45} - C_{25} \\ -B_{44} R_b C_{42} \lambda G_c B_{21} - B_{41} & B_{44} [U + R_b C_{42} \lambda G_c B_{24}] R_b C_{45} \end{bmatrix} \begin{bmatrix} V_v \\ I_i \end{bmatrix} + \\
 & \begin{bmatrix} C_{21} C_c B_{11} & 0 \\ 0 & B_{45} L_b C_{55} \end{bmatrix} \frac{d}{dt} \begin{bmatrix} V_v \\ I_i \end{bmatrix} \quad (2.3.8)
 \end{aligned}$$

where  $\lambda = (U - G_c B_{24} R_b C_{42})^{-1}$ .

The differential set of the state model can be obtained after taking the inverse of the coefficient matrix in the left-hand side of Equation (2.3.8). The existence of the inverse of this coefficient matrix can be proved by showing that the diagonal submatrices of this matrix,  $C_b - C_{21} C_c B_{12}$  and  $L_c - B_{45} L_b C_{54}$ , are positive definite matrices. To do this, first note that  $B_{ij}$ 's in Equation (2.3.3) and  $C_{ij}$ 's in Equation (2.3.2) are related. These relationships are derived as follows.

The fundamental circuit equations in symbolic form for  $T_1$  are:

$$\begin{bmatrix} -C_{11}^T & -C_{21}^T & 0 & 0 & 0 \\ -C_{12}^T & -C_{22}^T & -C_{32}^T & -C_{42}^T & 0 \\ -C_{13}^T & -C_{23}^T & -C_{33}^T & -C_{43}^T & 0 \\ -C_{14}^T & -C_{24}^T & -C_{34}^T & -C_{44}^T & -C_{54}^T \\ -C_{15}^T & -C_{25}^T & -C_{35}^T & -C_{45}^T & -C_{55}^T \end{bmatrix} \begin{array}{c} U \\ U \\ U \\ U \\ U \end{array} = 0 \quad (2.3.9)$$

$$\begin{bmatrix} V_v \\ V_{bc} \\ V_n \\ V_{br} \\ V_{bl} \\ V_{cc} \\ V_{cr} \\ V_{vc} \\ V_{cl} \\ V_i \end{bmatrix}$$

where T denotes the transpose. Solving for  $V_{vc}$  from Equation (2.3.9) gives

$$V_{vc} = C_{13}^T V_v + C_{23}^T V_{bc} + C_{33}^T V_n + C_{43}^T V_{br} \quad (2.3.10)$$

and it follows that

$$V_n = (C_{33}^T)^{-1} V_{vc} - (C_{33}^T)^{-1} C_{13}^T V_v - (C_{33}^T)^{-1} C_{23}^T V_{bc} - (C_{33}^T)^{-1} C_{43}^T V_{br}. \quad (2.3.11)$$

In Equation (2.3.11), it is assumed that  $C_{33}^{-1}$  exists. This is a necessary topological constraint. Solving for  $V_{cc}$ ,  $V_{cr}$ ,  $V_{cl}$ , and  $V_i$  from Equation (2.3.9) and substituting in  $V_n$  from Equation (2.3.11) yields

$$\begin{aligned}
 V_{cc} &= C_{11}^T V_v + C_{21}^T V_{bc} \\
 V_{cr} &= (C_{12} - C_{13} C_{33}^{-1} C_{32})^T V_v + (C_{22} - C_{23} C_{33}^{-1} C_{32})^T V_{bc} + (C_{33}^{-1} C_{32})^T V_{vc} + (C_{42} - C_{43} C_{33}^{-1} C_{32})^T V_{br} \\
 V_{cl} &= (C_{14} - C_{13} C_{33}^{-1} C_{34})^T V_v + (C_{24} - C_{23} C_{33}^{-1} C_{34})^T V_{bc} + (C_{33}^{-1} C_{34})^T V_{vc} + (C_{44} - C_{43} C_{33}^{-1} C_{34})^T V_{br} + C_{54}^T V_{bl} \\
 V_i &= (C_{15} - C_{13} C_{33}^{-1} C_{35})^T V_v + (C_{25} - C_{23} C_{33}^{-1} C_{35})^T V_{bc} + (C_{33}^{-1} C_{35})^T V_{vc} + (C_{45} - C_{43} C_{33}^{-1} C_{35})^T V_{br} + C_{55}^T V_{bl}
 \end{aligned}$$

Thus, Equation (2.3.9) can be rewritten as

$$\begin{bmatrix}
 -c_{11}^T & -c_{21}^T & 0 & 0 & 0 & 0 \\
 (c_{13}c_{33}^{-1}c_{32} - c_{12})^T & (c_{23}c_{33}^{-1}c_{32} - c_{22})^T & -(c_{33}^{-1}c_{32})^T & (c_{43}c_{33}^{-1}c_{32} - c_{42})^T & 0 & 0 \\
 (c_{13}c_{33}^{-1})^T & (c_{23}c_{33}^{-1})^T & -(c_{33}^{-1})^T & (c_{43}c_{33}^{-1})^T & 0 & 0 \\
 (c_{13}c_{33}^{-1}c_{34} - c_{14})^T & (c_{23}c_{33}^{-1}c_{34} - c_{24})^T & -(c_{33}^{-1}c_{34})^T & (c_{43}c_{33}^{-1}c_{34} - c_{44})^T & -c_{54}^T & 0 \\
 (c_{13}c_{33}^{-1}c_{35} - c_{15})^T & (c_{23}c_{33}^{-1}c_{35} - c_{25})^T & -(c_{33}^{-1}c_{35})^T & (c_{43}c_{33}^{-1}c_{35} - c_{45})^T & -c_{55}^T & 0
 \end{bmatrix}
 \begin{bmatrix}
 v_v \\
 v_{bc} \\
 v_{vc} \\
 v_{br} \\
 v_{bl} \\
 v_{cc} \\
 v_{cr} \\
 v_n \\
 v_{cl} \\
 v_i
 \end{bmatrix}
 = 0$$

(2.3.12)

Now, the arrangement of the voltage variables in Equation (2.3.12) corresponds to tree  $T_2$ , and comparing this equation with Equation (2.3.3) results in:

$$\begin{aligned}
 B_{11} &= -c_{11}^T; B_{12} = -c_{21}^T; B_{21} = (c_{13}c_{33}^{-1}c_{32} - c_{12})^T; B_{22} = (c_{23}c_{33}^{-1}c_{32} - c_{22})^T; \\
 B_{23} &= -(c_{33}^{-1}c_{32})^T; B_{24} = (c_{43}c_{33}^{-1}c_{32} - c_{42})^T; B_{31} = (c_{13}c_{33}^{-1})^T; B_{32} = (c_{23}c_{33}^{-1})^T; \\
 B_{33} &= -(c_{33}^{-1})^T; B_{34} = (c_{43}c_{33}^{-1})^T; B_{41} = (c_{13}c_{33}^{-1}c_{34} - c_{14})^T; B_{42} = (c_{23}c_{33}^{-1}c_{34} - c_{24})^T; \\
 B_{43} &= -(c_{33}^{-1}c_{34})^T; B_{44} = (c_{43}c_{33}^{-1}c_{34} - c_{44})^T; B_{45} = -c_{54}^T; B_{51} = (c_{13}c_{33}^{-1}c_{35} - c_{15})^T; \\
 B_{52} &= (c_{23}c_{33}^{-1}c_{35} - c_{25})^T; B_{53} = -(c_{33}^{-1}c_{35})^T; B_{54} = (c_{43}c_{33}^{-1}c_{35} - c_{45})^T; B_{55} = -c_{55}^T
 \end{aligned}$$

(2.3.13)

Thus, by expressing  $B_{45}$  and  $B_{12}$  in terms of  $C_{ij}$ , the diagonal submatrices become

$$C_b - C_{21} C_c B_{12} = C_b + C_{21} C_c C_{21}^T \quad (2.3.14a)$$

$$L_c - B_{45} L_b C_{54} = L_c + C_{54}^T L_b C_{54} \quad (2.3.14b)$$

which are obviously positive definite matrices and the inverse of the coefficient matrix in the left-hand side of Equation (2.3.8) exists.

Hence, the differential set of the state model is

$$\begin{aligned} \frac{d}{dt} \begin{bmatrix} V_{bc} \\ I_{cl} \end{bmatrix} &= \begin{bmatrix} (C_b - C_{21} C_c B_{12})^{-1} C_{22} (U - G_c B_{24} R_b C_{42})^{-1} G_c B_{22} \\ -(L_c - B_{45} L_b C_{54})^{-1} [B_{44} R_b C_{42} (U - G_c B_{24} R_b C_{42})^{-1} G_c B_{22} + B_{42}] \\ -(C_b - C_{21} C_c B_{12})^{-1} [C_{22} (U - G_c B_{24} R_b C_{42})^{-1} G_c B_{24} R_b C_{44} + C_{24}] \\ (L_c - B_{45} L_b C_{54})^{-1} B_{44} [U + R_b C_{42} (U - G_c B_{24} R_b C_{42})^{-1} G_c B_{24}] R_b C_{44} \end{bmatrix} \begin{bmatrix} V_{bc} \\ I_{cl} \end{bmatrix} + \\ & \begin{bmatrix} (C_b - C_{21} C_c B_{12})^{-1} C_{22} (U - G_c B_{24} R_b C_{42})^{-1} G_c B_{21} \\ -(L_c - B_{45} L_b C_{54})^{-1} [B_{44} R_b C_{42} (U - G_c B_{24} R_b C_{42})^{-1} G_c B_{21} + B_{41}] \\ -(C_b - C_{21} C_c B_{12})^{-1} [C_{22} (U - G_c B_{24} R_b C_{42})^{-1} G_c B_{24} R_b C_{45} + C_{25}] \\ (L_c - B_{45} L_b C_{54})^{-1} B_{44} [U + R_b C_{42} (U - G_c B_{24} R_b C_{42})^{-1} G_c B_{24}] R_b C_{45} \end{bmatrix} \begin{bmatrix} V_v^* \\ I_i^* \end{bmatrix} + \\ & \begin{bmatrix} (C_b - C_{21} C_c B_{12})^{-1} C_{21} C_c B_{11} & 0 \\ 0 & (L_c - B_{45} L_b C_{54})^{-1} B_{45} L_b C_{55} \end{bmatrix} \frac{d}{dt} \begin{bmatrix} V_v^* \\ I_i^* \end{bmatrix} \end{aligned} \quad (2.3.15)$$

where  $V_v^*$  and  $I_i^*$  are terminal variables and are related to the driver variables  $V_v$  and  $I_i$  by  $V_v^* = V_v$  and  $I_i^* = I_i$ .



The algebraic set of the state model also can be derived by using Equations (2.3.2), (2.3.3), and (2.3.4). From Equations (2.3.2) and (2.3.3),

$$\begin{bmatrix} I_v \\ V_i \end{bmatrix} = \begin{bmatrix} 0 & -C_{14} \\ -B_{52} & 0 \end{bmatrix} \begin{bmatrix} V_{bc} \\ I_{cl} \end{bmatrix} + \begin{bmatrix} 0 & -C_{11} \\ -B_{55} & 0 \end{bmatrix} \begin{bmatrix} V_{bl} \\ I_{cc} \end{bmatrix} + \begin{bmatrix} 0 & -C_{12} \\ -B_{54} & 0 \end{bmatrix} \begin{bmatrix} V_{br} \\ I_{cr} \end{bmatrix} + \begin{bmatrix} 0 & -C_{15} \\ -B_{51} & 0 \end{bmatrix} \begin{bmatrix} V_v \\ I_i \end{bmatrix} \quad (2.3.16)$$

Note again that  $V_{vc} = 0$  and  $I_{vc} = 0$ . After substituting  $V_{bl}$  and  $I_{cc}$  from Equation (2.3.4b), and  $V_{br}$  and  $I_{cr}$  from Equation (2.3.6) in Equation (2.3.16) and collecting terms, it results in

$$\begin{bmatrix} I_v \\ V_i \end{bmatrix} = \begin{bmatrix} C_{12}(U - G_c B_{c24} R_b C_{42})^{-1} G_c B_{22} & -C_{12}(U - G_c B_{c24} R_b C_{42})^{-1} G_c B_{24} R_b C_{44} - C_{14} \\ -B_{54} R_b C_{42} (U - G_c B_{c24} R_b C_{42})^{-1} G_c B_{22} - B_{52} & B_{54} [U + R_b C_{42} (U - G_c B_{c24} R_b C_{42})^{-1} G_c B_{24}] R_b C_{44} \end{bmatrix} \begin{bmatrix} V_{bc} \\ I_{cl} \end{bmatrix} + \begin{bmatrix} C_{12}(U - G_c B_{c24} R_b C_{42})^{-1} G_c B_{21} & -C_{12}(U - G_c B_{c24} R_b C_{42})^{-1} G_c B_{24} R_b C_{45} - C_{15} \\ -B_{54} R_b C_{42} (U - G_c B_{c24} R_b C_{42})^{-1} G_c B_{21} - B_{51} & B_{54} [U + R_b C_{42} (U - G_c B_{c24} R_b C_{42})^{-1} G_c B_{24}] R_b C_{45} \end{bmatrix} \begin{bmatrix} V_v \\ I_i \end{bmatrix} + \begin{bmatrix} C_{11} C_b B_{12} & 0 \\ 0 & B_{55} L_b C_{54} \end{bmatrix} \frac{d}{dt} \begin{bmatrix} V_{bc} \\ I_{cl} \end{bmatrix} + \begin{bmatrix} C_{11} C_b B_{11} & 0 \\ 0 & B_{55} L_b C_{55} \end{bmatrix} \frac{d}{dt} \begin{bmatrix} V_v \\ I_i \end{bmatrix} \quad (2.3.17)$$

where the derivative of the state variables,  $\frac{d}{dt} \begin{bmatrix} V_{bc} \\ I_{cl} \end{bmatrix}$ , can be eliminated by using Equation (2.3.15).

Now, it follows that the algebraic set is given by

$$\begin{bmatrix} I_v^* \\ V_i^* \end{bmatrix} = \begin{bmatrix} -C_{12}(U - G_c B_{24} R_c C_{42})^{-1} G_c B_{22} - C_{11} C_c B_{12} (C_b - C_{21} C_c B_{12})^{-1} C_{22} (U - G_c B_{24} R_c C_{42})^{-1} G_c B_{22} \\ B_{54} R_c C_{42} (U - G_c B_{24} R_c C_{42})^{-1} G_c B_{22} + B_{52} + B_{55} L_c C_c (L_c - B_{45} L_c C_{54})^{-1} [B_{44} R_c C_{42} (U - G_c B_{24} R_c C_{42})^{-1} G_c B_{22} + B_{42}] \\ C_{12} (U - G_c B_{24} R_c C_{42})^{-1} G_c B_{24} R_c C_{44} + C_{14} + C_{11} C_c B_{12} (C_b - C_{21} C_c B_{12})^{-1} [C_{22} (U - G_c B_{24} R_c C_{42})^{-1} G_c B_{24} R_c C_{44} + C_{24}] \\ -B_{54} [U + C_{42} R_c (U - G_c B_{24} R_c C_{42})^{-1} G_c B_{24} R_c C_{44} - B_{55} L_c C_c (L_c - B_{45} L_c C_{54})^{-1} B_{44} [U + R_c C_{42} (U - G_c B_{24} R_c C_{42})^{-1} G_c B_{24} R_c C_{44}]] \\ -C_{12} (U - G_c B_{24} R_c C_{42})^{-1} G_c B_{21} - C_{11} C_c B_{12} (C_b - C_{21} C_c B_{12})^{-1} C_{22} (U - G_c B_{24} R_c C_{42})^{-1} G_c B_{21} \\ B_{54} R_c C_{42} (U - G_c B_{24} R_c C_{42})^{-1} G_c B_{21} + B_{51} + B_{55} L_c C_c (L_c - B_{45} L_c C_{54})^{-1} B_{44} R_c C_{42} (U - G_c B_{24} R_c C_{42})^{-1} G_c B_{21} + B_{41}] \\ C_{12} (U - G_c B_{24} R_c C_{42})^{-1} G_c B_{24} R_c C_{45} + C_{15} + C_{11} C_c B_{12} (C_b - C_{21} C_c B_{12})^{-1} [C_{22} (U - G_c B_{24} R_c C_{42})^{-1} G_c B_{24} R_c C_{45} + C_{25} \\ -B_{54} [U + R_c C_{42} (U - G_c B_{24} R_c C_{42})^{-1} G_c B_{24} R_c C_{45} - B_{55} L_c C_c (L_c - B_{45} L_c C_{54})^{-1} B_{44} [U + R_c C_{42} (U - G_c B_{24} R_c C_{42})^{-1} G_c B_{24} R_c C_{45}]] \\ -C_{11} C_c B_{11} - C_{11} C_c B_{12} (C_b - C_{21} C_c B_{12})^{-1} C_{21} C_c B_{11} \\ 0 \\ 0 \quad \quad \quad -B_{55} L_c C_c (L_c - B_{45} L_c C_{54})^{-1} B_{45} L_c C_{55} \end{bmatrix} \begin{bmatrix} V_{bc} \\ I_{\theta l} \\ V_v \\ I_i \\ \frac{d}{dt} \\ I_i \end{bmatrix} \quad (2.3.18)$$

where  $I_v^*$  and  $V_i^*$  are terminal variables and are related to the driver variables  $I_v$  and  $V_i$  by  $I_v^* = -I_v$  and  $V_i^* = -V_i$ .

## 2.4 Simplified State Model

The state model derived in the preceding section, which includes the differential set in Equation (2.3.15) and the algebraic set in Equation (2.3.18), is for a class of networks containing resistors, inductors, capacitors, nullators, norators, and sources with the topology as stated in Theorem 2.2.1 and with the constraint that the RLC elements are distributed in both  $T_1$  and  $T_2$  in the same manner. This state model will be simplified by using additional restrictions on the topology. These restrictions are discussed below.

Earlier, it was mentioned that inductors will not be used in the synthesis. Furthermore, for simplicity, all the capacitors will be assumed to be contained in the branches and all the resistors will be assumed to be contained in the chords of both  $T_1$  and  $T_2$ . Corresponding to this topology, the state model derived above can be simplified by substituting  $I_{cl} = 0$ ,  $C_c = 0$ , and  $R_b = 0$ . Now, the state model for the above topology without any sources can be obtained by equating  $V_v = 0$  and  $I_i = 0$ . It follows that the differential set of the state model for the above simplified portless network is given by

$$\frac{d}{dt} V_{bc} = C_b^{-1} C_{22} G_c B_{22} V_{bc} \quad (2.4.1)$$

where  $B_{22}$  can be expressed in terms of  $C_{ij}$  using the relationships in Equation (2.3.13). Thus, Equation (2.4.1) can be written as

$$\begin{aligned} \frac{d}{dt} V_{bc} &= C_b^{-1} C_{22} G_c (C_{23} C_{33}^{-1} C_{32} - C_{22})^T V_{bc} \\ &= A V_{bc}. \end{aligned} \quad (2.4.2)$$

The synthesis of an A-matrix is considered in the next chapter, where the A-matrix in symbolic form in Equation (2.4.2) will be used in developing the synthesis procedure.

## CHAPTER III

### SYNTHESIS OF THE A-MATRIX

#### 3.1 Introduction

Since a state model provides sufficient information for the characterization of the behavior of a given network at any instant of time, the state-model theory has received a rather thorough mathematical development and has practical applications. In this chapter, network synthesis using state-model approach will be presented.

Given a scalar transfer function,  $T(s)$  in  $s$ -domain with no poles at infinity, the corresponding general form of the state model in Equation (2.3.1) reduces to

$$\frac{d}{dt} \mathbf{x}(t) = \mathbf{A}\mathbf{x}(t) + \mathbf{B}u(t) \quad (3.1.1a)$$

$$y(t) = \mathbf{C}\mathbf{x}(t) + \mathbf{D}u(t) \quad (3.1.1b)$$

such that

$$T(s) = \mathbf{D} + \mathbf{C}(s\mathbf{U}_n - \mathbf{A})^{-1}\mathbf{B} \quad (3.1.2)$$

where  $\mathbf{U}_n$  represents an  $n \times n$  identity matrix with  $n$  the degree of  $T(s)$  (40);  $\mathbf{x}$  denotes the state vector consisting of  $n$  state variables  $x_1, x_2, \dots, \text{ and } x_n$ ;  $u$  and  $y$ , the input and output vectors, respectively; and  $\mathbf{A}, \mathbf{B}, \mathbf{C}, \mathbf{D}$ , the constant coefficient matrices of appropriate dimensions for linear, time-invariant networks. Note that the state model

in Equation (3.1.1) is not unique. The derivation of a set of the matrices  $\{A, B, C, D\}$  in Equation (3.1.1) can be readily obtained (32).

To realize  $T(s)$ , one needs to realize the set of the matrices  $\{A, B, C, D\}$  in Equation (3.1.1).

In Chapter II, the state model corresponding to a class of networks with the network topology specified in Conditions (i) and (ii) of Theorem 2.2.1 was derived. The simplified state model in Equation (2.4.2) with respect to a subclass of networks defined previously will be used in this chapter to obtain the synthesis procedure in realizing networks containing nullators and norators. Synthesis of the A-matrix is considered first and the results will be used later in the synthesis of transfer functions and immittance matrices.

### 3.2 Preliminary Considerations

The A-matrix plays an important role in the state model of a network. It was introduced by Bashkow (3) in 1957 as a new network description. The use of the A-matrix in describing a network is convenient because it relates the network in a natural way to a canonical mathematical form. For example, the characteristic polynomial of a network is given by  $|sU - A|$ , and its zeros give the natural frequencies of this network. Because of its importance, a lot of work has been done on the A-matrix. Bryant (8) obtained an explicit form of the A-matrix for RLC networks. Dervisoglu (17) discussed the A-matrix for a restricted class of active RLC networks.

The realization of an A-matrix by passive networks has been extensively discussed. Rauch (34) has solved the problem for a special class of RL and RC networks. Dervisoglu (18) has obtained the realization of

the A-matrix using a class of half-degenerate RLC networks. Silverman (36) presented the realizability of an A-matrix as a passive reciprocal network.

The synthesis of the A-matrix is now considered using a class of active RC networks containing nullators and norators, where the nullator and the norator appear as a pair with a common vertex. Since a pair of nullator and norator with a common vertex can be replaced by an ideal transistor, the realization is equivalent to using resistors, capacitors, and ideal transistors.

To realize an A-matrix, an arbitrary network consisting of resistors, capacitors, nullators, and norators, but no sources, is assumed. The arbitrary network is such that Conditions (i) and (ii) of Theorem 2.2.1 are satisfied. Furthermore, as assumed earlier, all capacitors are contained in the branches and all the resistors are contained in the chords for both  $T_1$  and  $T_2$ .

The simplified state model in Equation (2.4.2) is in accordance with the topology as assumed above. For ready reference, Equation (2.4.2) is repeated below:

$$\frac{d}{dt} V_{bc} = C_b^{-1} C_{22} G_c (C_{23} C_{33}^{-1} C_{32} - C_{22})^T V_{bc} \quad (3.2.1)$$

where the symbols were defined in Chapter II. Hence, the A-matrix in symbolic form is

$$A = C_b^{-1} C_{22} G_c (C_{23} C_{33}^{-1} C_{32} - C_{22})^T. \quad (3.2.2)$$

The synthesis procedure is first considered when A in Equation (3.2.2) is in companion matrix form. Then, it will be extended to an arbitrary A-matrix. The special case of the A-matrix in tridiagonal

form deserves another section to discuss its realization.

### 3.3 Synthesis of an A-Matrix in Companion Matrix Form

This is considered first because when the specification is in terms of a characteristic polynomial, such as the denominator of a transfer function, the corresponding A-matrix in companion matrix form can be obtained by inspection. Furthermore, the realization of an A-matrix in companion matrix form gives insight into the realization of an arbitrary A-matrix.

Consider the A-matrix in companion matrix form:

$$A_c = \begin{bmatrix} 0 & 1 & 0 & \dots & \dots & 0 & 0 \\ 0 & 0 & 1 & \dots & \dots & 0 & 0 \\ \dots & \dots & \dots & \dots & \dots & \dots & \dots \\ \dots & \dots & \dots & \dots & \dots & \dots & \dots \\ \dots & \dots & \dots & \dots & \dots & \dots & \dots \\ 0 & 0 & 0 & \dots & \dots & 0 & 1 \\ -a_1 & -a_2 & -a_3 & \dots & \dots & -a_{n-1} & -a_n \end{bmatrix} \quad (3.3.1a)$$

such that

$$\frac{d}{dt} x = A_c x \quad (3.3.1b)$$

where  $a_1, a_2, \dots, a_n$  are assumed to be positive constants and  $x$  consists of  $n$  state variables  $x_1, x_2, \dots, x_n$ . Its realization can be extended to the case that some of the  $a_i$ 's in  $A_c$  are negative.

In order to make all the entries in the  $n^{\text{th}}$  row of  $A_c$  positive, Equation (3.3.1b) is augmented by introducing a new state variable  $x_{n+1}$  such that

$$\begin{aligned}
 \frac{d}{dt} \begin{bmatrix} x_1 \\ x_2 \\ \cdot \\ \cdot \\ x_n \\ 0 \end{bmatrix} &= \begin{bmatrix} 0 & 1 & 0 & \cdot & \cdot & \cdot & 0 & 0 \\ 0 & 0 & 1 & \cdot & \cdot & \cdot & 0 & 0 \\ \cdot & \cdot & \cdot & \cdot & \cdot & \cdot & \cdot & \cdot \\ \cdot & \cdot & \cdot & \cdot & \cdot & \cdot & \cdot & \cdot \\ \cdot & \cdot & \cdot & \cdot & \cdot & \cdot & \cdot & \cdot \\ 0 & 0 & 0 & \cdot & \cdot & \cdot & 0 & 1 \\ a_1 & a_2 & a_3 & \cdot & \cdot & \cdot & a_n & 1 \end{bmatrix} \begin{bmatrix} x_1 \\ x_2 \\ \cdot \\ \cdot \\ x_n \\ x_{n+1} \end{bmatrix} \\
 &= A_2 \begin{bmatrix} x_1 \\ x_2 \\ \cdot \\ \cdot \\ x_n \\ x_{n+1} \end{bmatrix}
 \end{aligned} \tag{3.3.2}$$

where  $\frac{d}{dt} x_{n+1} \equiv 0$ . The reason for the above augmentation will be explained later. Note that Equation (3.3.2) is equivalent to Equation (3.3.1b).

The synthesis procedure is obtained by first equating the A-matrix in symbolic form in Equation (3.2.2) to the matrix  $A_2$  in Equation (3.3.2). For obtaining the specific terms in Equation (3.2.2),  $A_2$  is decomposed into a matrix triple product:

$$A_2 = \begin{bmatrix} U_n & 0 \\ 0 & J_{n+1} \end{bmatrix} \begin{bmatrix} U_n & 0 \\ 0 & D_1 \end{bmatrix} \begin{bmatrix} 0 & K \\ U_n & H \end{bmatrix}^T \tag{3.3.3}$$

where  $U_n$  denotes a unit matrix of order  $n$ ;  $J_{n+1}$ , an  $1 \times (n+1)$  matrix  $[1 \ 1 \ 1 \ \dots \ 1]$ ;  $K$ , an  $1 \times (n+1)$  matrix  $[1 \ 0 \ 0 \ \dots \ 0]$ ;  $H = [O_1 \ U_n]$  with  $O_1$  representing a zero column matrix; and



$D_1 = \text{diag}(a_1, a_2, \dots, a_n, 1)$ . The decomposition of  $A_2$  into a triple product is simple and follows the algorithm below:

- (1) Form the augmented  $(2n+2) \times (2n+2)$  matrix  $A_3$  as

$$A_3 = \left[ \begin{array}{c|c} D_2 & -A_2 \\ \hline -A_2^T & D_3 \end{array} \right] \quad (3.3.4)$$

where each of the matrices  $D_2$  and  $D_3$  represents a diagonal  $(n+1) \times (n+1)$  submatrix whose diagonal entries are the sum of absolute values of other entries in the respective rows of  $A_3$ .

- (2) Now,  $A_3$  can be decomposed by using the Cederbaum's algorithm (11) in the form

$$A_3 = A_b D_4 A_b^T \quad (3.3.5)$$

where

$$A_b = \left[ \begin{array}{c|c} -A_{b1} \\ \hline A_{b2} \end{array} \right], \quad D_4 = \left[ \begin{array}{cc} U_n & 0 \\ 0 & D_1 \end{array} \right]$$

with

$$A_{b1} = \left[ \begin{array}{cc} U_n & 0 \\ 0 & J_{n+1} \end{array} \right] \quad (3.3.6)$$

and

$$A_{b2} = \left[ \begin{array}{cc} 0 & K \\ U_n & H \end{array} \right]. \quad (3.3.7)$$

Thus, the decomposition of  $A_2$  in Equation (3.3.3) can be obtained from Equation (3.3.5).

Note that the decomposition in Equation (3.3.5) is essentially unique (11). However, the decomposition of  $A_2$  into  $A_2 = A_{b1} D_4 A_{b2}^T$  is not unique as the selection of  $D_2$  and  $D_3$  in  $A_3$  in Equation (3.3.4) is not unique.

Now, comparing  $A_2$  in Equation (3.3.3) with the matrix  $A$  in Equation (3.2.2) with the choice of  $C_b$  as a unit matrix for simplicity results in

$$C_{22} = \begin{bmatrix} U_n & 0 \\ 0 & J_{n+1} \end{bmatrix} = A_{b1} \quad (3.3.8)$$

$$G_c = \begin{bmatrix} U_n & 0 \\ 0 & D_1 \end{bmatrix} = D_4 \quad (3.3.9)$$

and

$$C_{23} C_{33}^{-1} C_{32} - C_{22} = \begin{bmatrix} 0 & K \\ U_n & H \end{bmatrix} = A_{b2} \quad (3.3.10)$$

The choice of  $C_b$  as a unit matrix implies that each capacitor in the realization is of unit element value. Later, another solution will be described with each capacitor having element value other than unity.

The sum of the matrices  $A_{b1}$  and  $A_{b2}$  given in Equations (3.3.8) and (3.3.10), respectively, yields

$$C_{23} C_{33}^{-1} C_{32} = A_{b1} + A_{b2}. \quad (3.3.11)$$

At this point, it should be noted from the fundamental cut-set equations in Equation (2.3.2) that  $C_{33}$  relates the locations of the nullators to the locations of the norators. Since each nullator and norator must exist as a pair, it is logical to set  $C_{33}$  to be a unit matrix, which

implies that every cut-set of a norator involves a nullator. This choice make the solution simple. Furthermore, this ensures that in the realization each nullator and norator form a pair so that it can be replaced by an ideal transistor.

Upon decomposition, Equation (3.3.11) can be written in the form, with  $C_{33}$  set to be a unit matrix,

$$C_{23} C_{32} = \begin{bmatrix} A_{b1} & U \\ U & A_{b2} \end{bmatrix} \quad (3.3.12)$$

where  $U$  is a unit matrix of appropriate order. A possible choice for  $C_{23}$  and  $C_{32}$  is

$$C_{23} = \begin{bmatrix} A_{b1} & U \end{bmatrix} \quad (3.3.13)$$

$$C_{32} = \begin{bmatrix} U \\ A_{b2} \end{bmatrix} \quad (3.3.14)$$

Obviously, the decomposition in Equation (3.3.12) is not unique and, therefore, there are many solutions. The above solution gives one particular realization.

Now, form the fundamental cut-set matrix:

$$\begin{bmatrix} U & 0 & C_{22} & C_{23} \\ 0 & U & C_{32} & C_{33} \end{bmatrix} = \begin{bmatrix} U & 0 & 0 & A_{b1} & A_{b1} & U \\ 0 & U & 0 & U & U & 0 \\ 0 & 0 & U & A_{b2} & 0 & U \end{bmatrix} \quad (3.3.15)$$

It can be shown that the above fundamental cut-set matrix is always realizable by simply constructing the graph (27) which is shown in

Figure 3.3.1. The resulting synthesized network is shown in Figure 3.3.2, where the element values of the conductors in mhos are obtained from the matrix  $G_c$  in Equation (3.3.9) and each capacitor has unit element value because the matrix  $C_b$  has been assumed to be a unit matrix. Note that unless stated otherwise, for the element values in the figures from here on, the conductors in mhos and capacitors in farads will be used. Note that in Figure 3.3.1, the arrowhead on a line indicates the direction of the current of the element associated with that line. This will hold true for the network graph hereafter.

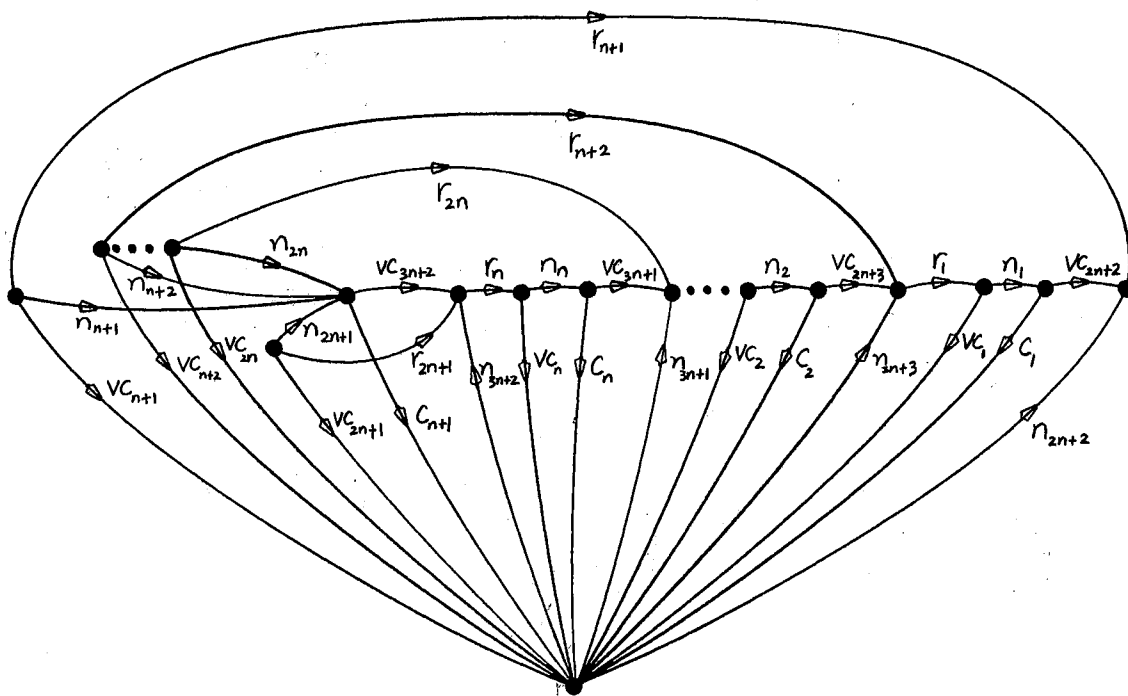


Figure 3.3.1. Network Graph

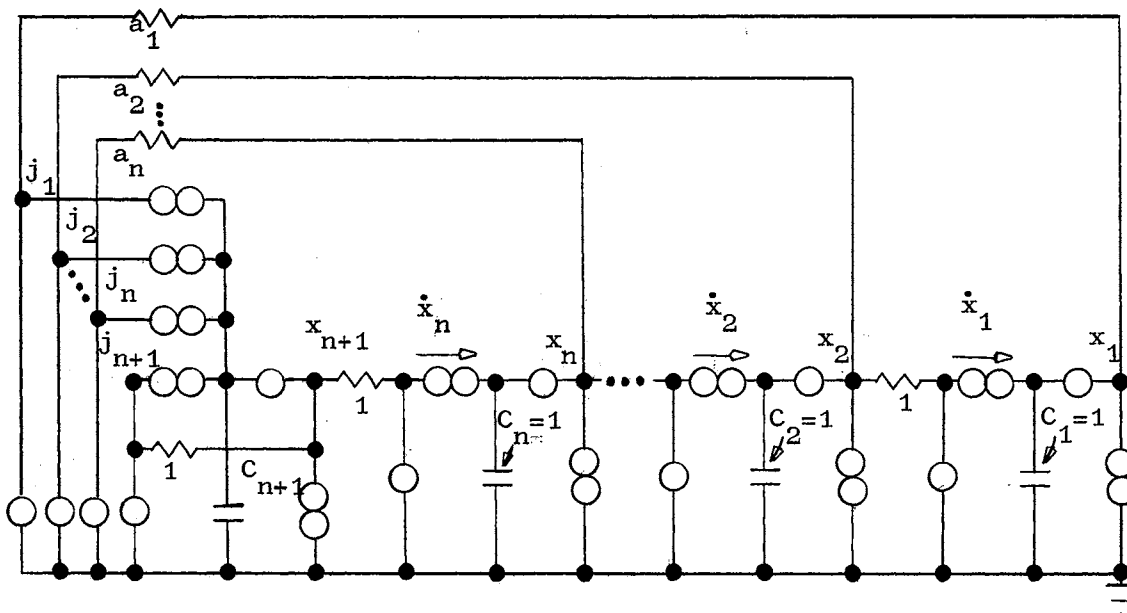


Figure 3.3.2. Synthesized Network

As shown in Figure 3.3.2, the state variable  $x_i$  and the derivative of the state variable  $x_i$ ,  $\dot{x}_i$  (dot denotes derivative with respect to time), can be considered to be the voltage across and the current through the capacitor  $C_i$ ,  $i = 1, 2, \dots, n$ . In addition, the introduced state variable  $x_{n+1}$  can be considered to be the voltage across the capacitor  $C_{n+1}$ . However, since  $\frac{d}{dt} x_{n+1} \equiv 0$  as assumed previously in Equation (3.3.2), the capacitor  $C_{n+1}$  should be open-circuited.

After the capacitor  $C_{n+1}$  is removed, the network in Figure 3.3.2 can be simplified. It is observed that the nodes  $j_1, j_2, \dots, j_n$ , and  $j_{n+1}$  can be combined to form only one node as far as the current-voltage operation at each of these nodes is concerned, since the adjoining nullators act as short circuits and open circuits. Further, the use of the equivalence shown in Figure 3.3.3, and the fact that a nullator in series with a norator is equivalent to an open circuit (30)

simplifies the network in Figure 3.3.2 to that shown in Figure 3.3.4.

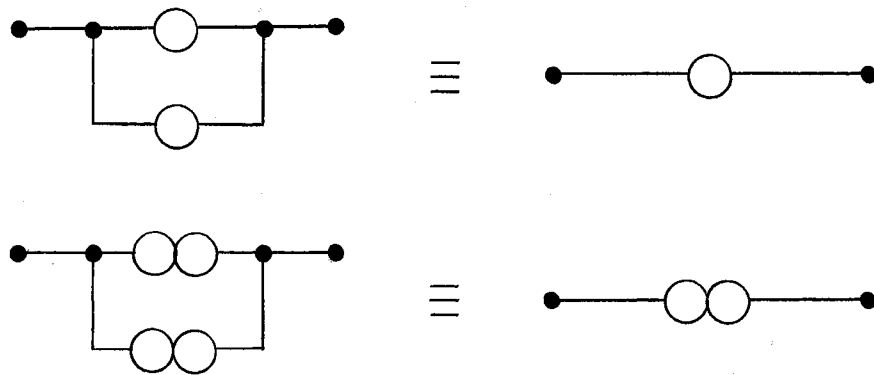


Figure 3.3.3. Two Equivalences

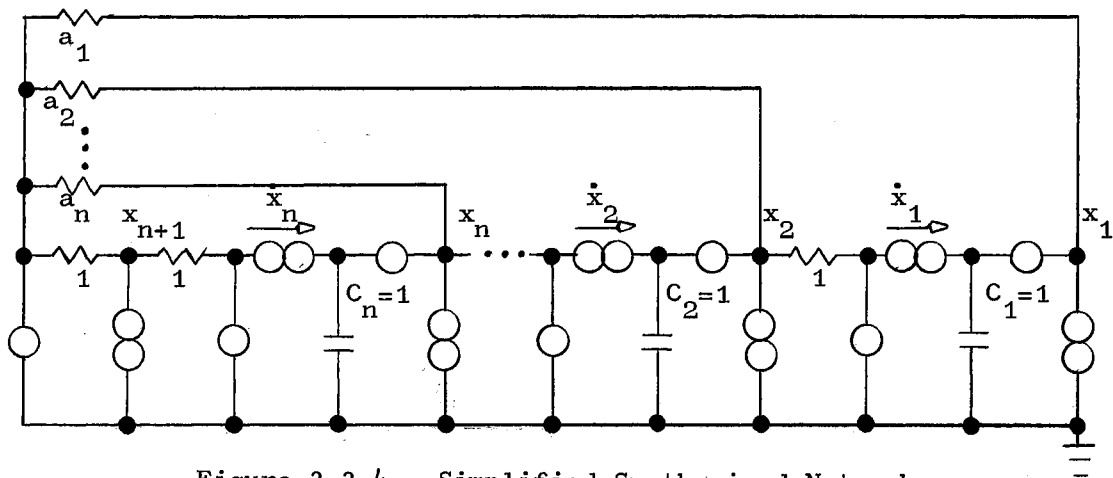


Figure 3.3.4. Simplified Synthesized Network

The following example illustrates the synthesis procedure.

Example 3.3.1 Consider the third-order companion matrix

$$A_3 = \begin{bmatrix} 0 & 1 & 0 \\ 0 & 0 & 1 \\ -a_1 & -a_2 & -a_3 \end{bmatrix} \quad (3.3.16a)$$

such that

$$\frac{d}{dt} \begin{bmatrix} x_1 \\ x_2 \\ x_3 \end{bmatrix} = \begin{bmatrix} 0 & 1 & 0 \\ 0 & 0 & 1 \\ -a_1 & -a_2 & -a_3 \end{bmatrix} \begin{bmatrix} x_1 \\ x_2 \\ x_3 \end{bmatrix} \quad (3.3.16b)$$

where  $a_1$ ,  $a_2$ , and  $a_3$  are positive constants. The first step is to augment Equation (3.3.16b) such that all its entries in the coefficient matrix are positive. This gives

$$\frac{d}{dt} \begin{bmatrix} x_1 \\ x_2 \\ x_3 \\ 0 \end{bmatrix} = \begin{bmatrix} 0 & 1 & 0 & 0 \\ 0 & 0 & 1 & 0 \\ 0 & 0 & 0 & 1 \\ a_1 & a_2 & a_3 & 1 \end{bmatrix} \begin{bmatrix} x_1 \\ x_2 \\ x_3 \\ x_4 \end{bmatrix} \quad (3.3.17)$$

where  $x_4$  is the introduced state variable. The equivalence of Equations (3.3.17) and (3.3.16b) is obvious. Decompose the coefficient matrix in Equation (3.3.17) into a matrix triple product corresponding to Equation (3.3.3):

$$\begin{bmatrix} 0 & 1 & 0 & 0 \\ 0 & 0 & 1 & 0 \\ 0 & 0 & 0 & 1 \\ a_1 & a_2 & a_3 & 1 \end{bmatrix} = \begin{bmatrix} 1 & 0 & 0 & 0 & 0 & 0 & 0 \\ 0 & 1 & 0 & 0 & 0 & 0 & 0 \\ 0 & 0 & 1 & 0 & 0 & 0 & 0 \\ 0 & 0 & 0 & 1 & 1 & 1 & 1 \end{bmatrix} \begin{bmatrix} 1 \\ 1 \\ a_1 \\ a_2 \\ a_3 \\ 1 \end{bmatrix} \begin{bmatrix} 0 & 0 & 0 & 1 & 0 & 0 & 0 \\ 1 & 0 & 0 & 0 & 1 & 0 & 0 \\ 0 & 1 & 0 & 0 & 0 & 1 & 0 \\ 0 & 0 & 1 & 0 & 0 & 0 & 1 \end{bmatrix}^T \quad (3.3.18)$$

Now the matrices  $C_{22}$ ,  $G_c$ , and  $A_{b2}$  can be identified from Equation (3.3.18) as:

$$C_{22} = \begin{bmatrix} 1 & 0 & 0 & 0 & 0 & 0 & 0 \\ 0 & 1 & 0 & 0 & 0 & 0 & 0 \\ 0 & 0 & 1 & 0 & 0 & 0 & 0 \\ 0 & 0 & 0 & 1 & 1 & 1 & 1 \end{bmatrix} = A_{b1} \quad (3.3.19)$$

$$G_c = \begin{bmatrix} 1 & & & & & & \\ & 1 & & & & & \\ & & 1 & & & & \\ & & & a_1 & & & \\ & & & & a_2 & & \\ & & & & & a_3 & \\ & & & & & & 1 \end{bmatrix} \quad (3.3.20)$$

$$C_{23} C_{33}^{-1} C_{32} - C_{22} = \begin{bmatrix} 0 & 0 & 0 & 1 & 0 & 0 & 0 \\ 1 & 0 & 0 & 0 & 1 & 0 & 0 \\ 0 & 1 & 0 & 0 & 0 & 1 & 0 \\ 0 & 0 & 1 & 0 & 0 & 0 & 1 \end{bmatrix} = A_{b2} \quad (3.3.21)$$

The submatrices  $C_{23}$  and  $C_{32}$  can be constructed from Equations (3.3.13), (3.3.14), (3.3.19), and (3.3.21):

$$C_{23} = \left[ \begin{array}{ccccccc|cccc} 1 & 0 & 0 & 0 & 0 & 0 & 0 & 1 & 0 & 0 & 0 \\ 0 & 1 & 0 & 0 & 0 & 0 & 0 & 0 & 1 & 0 & 0 \\ 0 & 0 & 1 & 0 & 0 & 0 & 0 & 0 & 0 & 1 & 0 \\ 0 & 0 & 0 & 1 & 1 & 1 & 1 & 0 & 0 & 0 & 1 \end{array} \right] \quad (3.3.22)$$

$$C_{32} = \left[ \begin{array}{ccccccc|cccc} 1 & 0 & 0 & 0 & 0 & 0 & 0 & 0 & 0 & 0 & 0 \\ 0 & 1 & 0 & 0 & 0 & 0 & 0 & 0 & 0 & 0 & 0 \\ 0 & 0 & 1 & 0 & 0 & 0 & 0 & 0 & 0 & 0 & 0 \\ 0 & 0 & 0 & 1 & 0 & 0 & 0 & 0 & 0 & 0 & 0 \\ 0 & 0 & 0 & 0 & 1 & 0 & 0 & 0 & 0 & 0 & 0 \\ 0 & 0 & 0 & 0 & 0 & 1 & 0 & 0 & 0 & 0 & 0 \\ 0 & 0 & 0 & 0 & 0 & 0 & 1 & 0 & 0 & 0 & 0 \\ \hline 0 & 0 & 0 & 1 & 0 & 0 & 0 & 1 & 0 & 0 & 0 \\ 0 & 1 & 0 & 0 & 0 & 1 & 0 & 0 & 0 & 0 & 0 \\ 0 & 0 & 1 & 0 & 0 & 0 & 1 & 0 & 0 & 0 & 0 \\ 0 & 0 & 0 & 1 & 0 & 0 & 0 & 1 & 0 & 0 & 0 \end{array} \right] \quad (3.3.23)$$





After the simplifications described earlier in this section are made, the network corresponding to the graph in Figure 3.3.5 is shown in Figure 3.3.6.

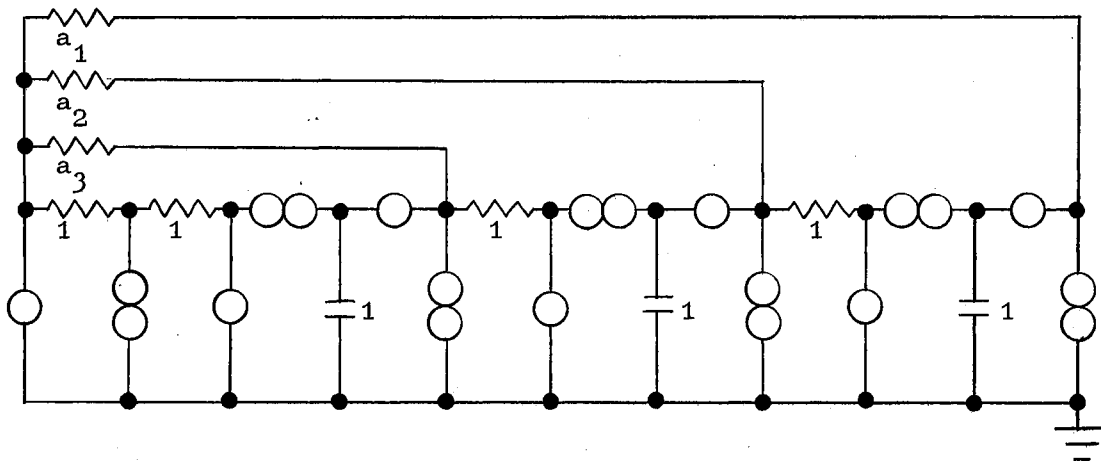


Figure 3.3.6. Example Synthesized Network

The reason for the augmentation in Equation (3.3.2) can now be explained. If the decomposition procedure discussed earlier is applied directly to  $A_c$  in Equation (3.3.1a), then the matrices  $A_{b1}$  and  $A_{b2}$  may not be submatrices of a cut-set matrix (11). Therefore, the cut-set matrix in Equation (3.3.15) may not be realizable. The augmentation in Equation (3.3.2) allows for the direct realization of Equation (3.3.1b).

It should be observed that for a given A-matrix, there are several realizations corresponding to different sets of the matrices  $C_{22}$ ,  $C_{23}$ ,  $C_{32}$ , and  $C_{33}$ , and thus there is a choice in networks.

## 3.4 Building Blocks

Examination of the realization in Figure 3.3.4 reveals that there is a basic topology. This basic topology will be discussed in terms of building blocks. There are two such building blocks: one is for the operation of integration, which will be identified as an "integrator", and the other is for the operation of summation (or inversion), which will be identified as a "summer" (or an inverter), as shown in (a) and (b) of Figure 3.4.1, respectively. As far as their operations are concerned, these are similar to the integrator and the summer usually used in an analog-computer simulation, where an operational amplifier in conjunction with resistors and capacitors is implemented to achieve the operations of integration and summation.

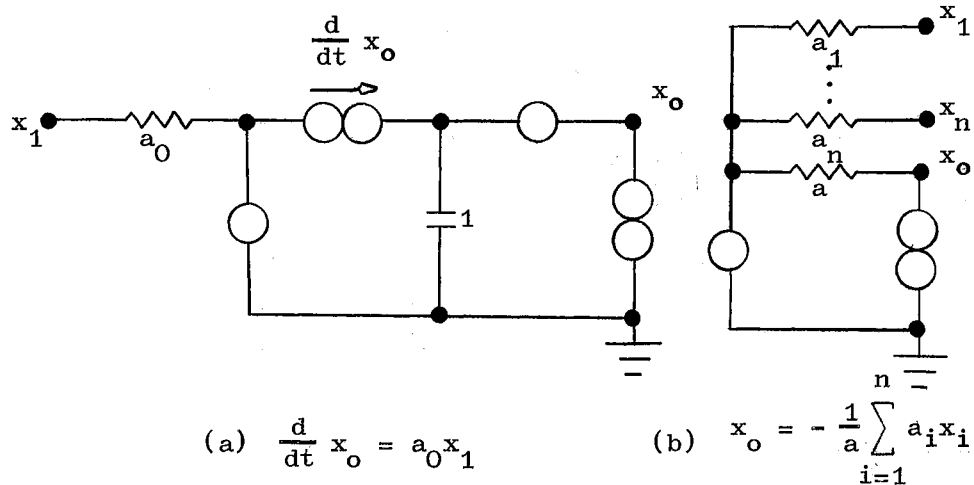


Figure 3.4.1. (a) Circuit for Integration; (b) Circuit for Summation (or Inversion)

In Figure 3.4.1,  $x_i$  represents an input or an output, and is a state variable corresponding to some capacitor voltage in the realization, and  $\frac{d}{dt} x_o$  is the current through the capacitor in the integrator.

Note that for the operation of integration (Figure 3.4.1(a)), the output is of the same polarity as the input; whereas, for the operation of summation (or inversion) (Figure 3.4.1(b)), the output is out of phase with the input. Note further that the nullator and the norator appear as a pair in both the integrator and the summer, and, thus, allowing for the replacement of the nullator-norator pair by an ideal transistor.

The building block in Figure 3.4.1(a) may be extended to obtain a summing integrator as shown in Figure 3.4.2.

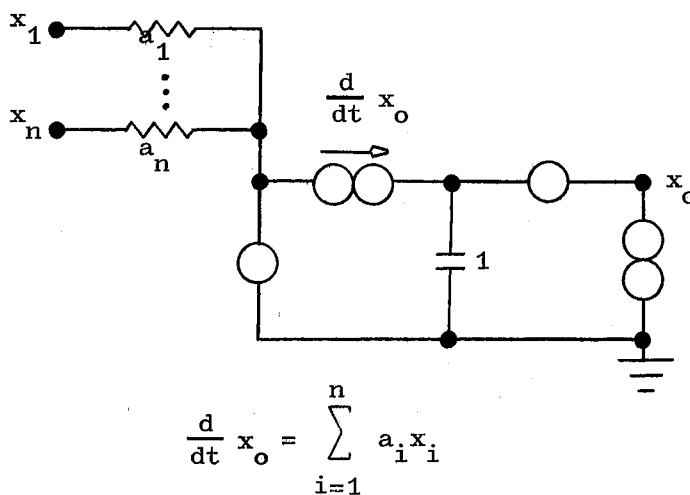


Figure 3.4.2. Summing Integrator

### 3.5 Use of the Building Blocks

When some of the  $a_i$ 's in the matrix  $A_c$  of Equation (3.3.1) are negative, the first step of the synthesis procedure is again to augment the matrix  $A_c$  such that all its entries are positive. Note that if all the entries of  $A_c$  in Equation (3.3.1) are positive, there is no such need to augment it. For both of these two cases, a synthesis procedure similar to that discussed in Section 3.3 can be carried out to obtain the realization.

However, in view of the two building blocks shown in Figure 3.4.1 and the summing integrator in Figure 3.4.2, any A-matrix in companion matrix form can be synthesized immediately, without going through the detailed synthesis procedure. This is illustrated in the following example.

Example 3.5.1 Consider the A-matrix in the following equation:

$$\frac{d}{dt} \begin{bmatrix} x_1 \\ x_2 \\ x_3 \end{bmatrix} = \begin{bmatrix} 0 & 1 & 0 \\ 0 & 0 & 1 \\ b_1 & b_2 & -b_3 \end{bmatrix} \begin{bmatrix} x_1 \\ x_2 \\ x_3 \end{bmatrix} \quad (3.5.1)$$

where  $b_1$ ,  $b_2$ , and  $b_3$  are all positive constants.

Writing three state equations from Equation (3.5.1) gives:

$$\frac{d}{dt} x_1 = x_2 \quad (3.5.2a)$$

$$\frac{d}{dt} x_2 = x_3 \quad (3.5.2b)$$

$$\frac{d}{dt} x_3 = b_1 x_1 + b_2 x_2 - b_3 x_3 \quad (3.5.2c)$$

With the aid of the two building blocks in Figure 3.4.1 and the summing

integrator in Figure 3.4.2, the realization is obtained readily by using Equation (3.5.2), as shown in Figure 3.5.1.

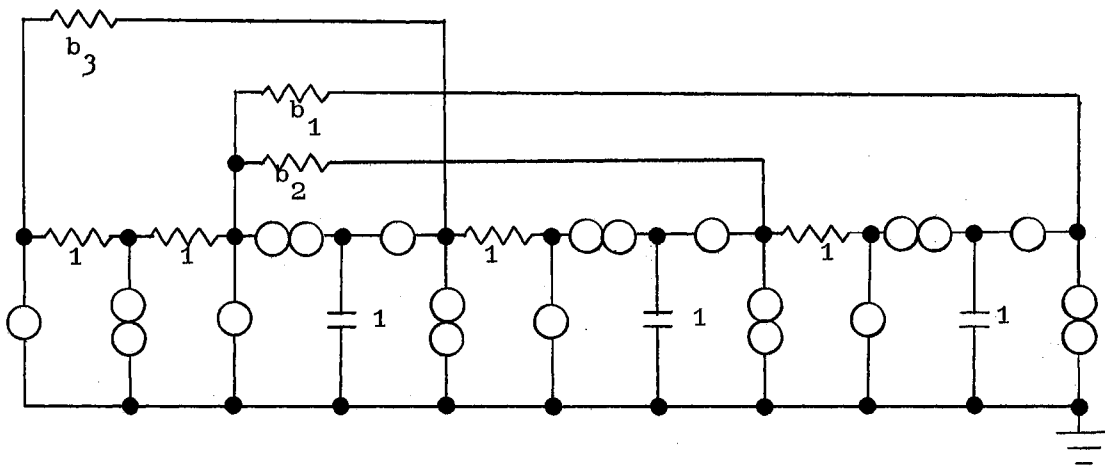


Figure 3.5.1. Example Synthesized Network

### 3.6 Change of Capacitor Element Values

In the realizations of Figure 3.3.4 and thereafter, each capacitor has element value of unit magnitude. In this section, a method will be described such that each capacitor can independently take on element value different from unity if desired.

Consider the general network in Figure 3.3.4 for illustration. The results will hold true for other networks discussed so far. The method is to multiply both sides of Equation (3.3.1b) by a diagonal matrix  $C_b = \text{diag} (C_1, C_2, \dots, C_n)$  consisting of capacitance values to be determined.

Thus,

$$C_b \frac{d}{dt} x = C_b A_c x \quad (3.6.1a)$$

or

$$\begin{bmatrix} C_1 \\ & C_2 \\ & & \ddots \\ & & & C_{n-1} \\ & & & & C_n \end{bmatrix} \frac{d}{dt} \begin{bmatrix} x_1 \\ x_2 \\ \cdot \\ \cdot \\ x_{n-1} \\ x_n \end{bmatrix} = \begin{bmatrix} 0 & C_1 & 0 & \dots & 0 & 0 \\ 0 & 0 & C_2 & \dots & 0 & 0 \\ \cdot & \cdot & \cdot & \dots & \cdot & \cdot \\ \cdot & \cdot & \cdot & \dots & \cdot & \cdot \\ \cdot & \cdot & \cdot & \dots & \cdot & \cdot \\ 0 & 0 & 0 & \dots & 0 & C_{n-1} \\ -C_{n-1}^a & -C_{n-2}^a & -C_{n-3}^a & \dots & -C_{n-n-1}^a & -C_{n-n}^a \end{bmatrix} \begin{bmatrix} x_1 \\ x_2 \\ \cdot \\ \cdot \\ x_{n-1} \\ x_n \end{bmatrix} \quad (3.6.1b)$$

The coefficient matrix on the right-hand side of Equation (3.6.1) is now taken to be the new A-matrix. Realizing this new A-matrix using the technique developed in the preceding section yields the network shown in Figure 3.6.1. The A-matrix of this network, of course, is the same as that of the network in Figure 3.3.4, i.e.,  $A_c$ . Each of the capacitances  $C_1, C_2, \dots$ , and  $C_n$  can take independently on any suitable value, and some of the conductance values are accordingly changed. Note that if a summer (or an inverter) is used, each of the two corresponding conductance values still has unit magnitude as shown in Figure 3.6.1. This can be seen if the detailed synthesis procedure described in Section 3.3 is worked out to obtain the realization.

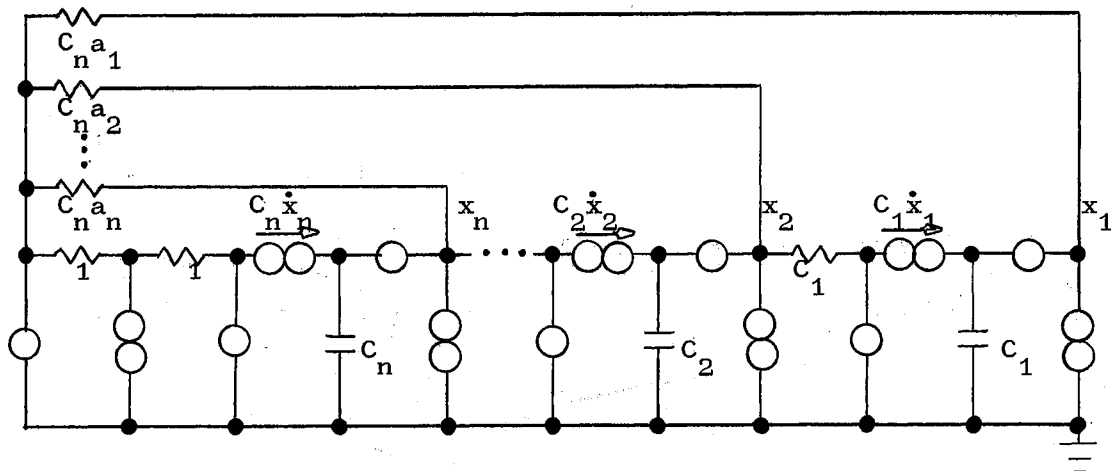


Figure 3.6.1. Synthesized Network Corresponding to Figure 3.3.4

The above method can be considered to be the "current-scaling method" because it is the change of the current through each capacitor that makes every capacitor element value different from unity.

### 3.7 Synthesis of an Arbitrary A-Matrix

The above results can be extended to synthesize an arbitrary A-matrix. The two building blocks in Figure 3.4.1 can be combined to obtain a scheme for the realization of an arbitrary A-matrix. Figure 3.7.1 shows this scheme for drawing the circuit for a general entry  $a_{ij}$  in an A-matrix. The entry  $a_{ij}$  relates a state variable  $x_j$  to the derivative of other state variable  $x_i$ ,  $\dot{x}_i$ . The pattern is repeated for each entry of the A-matrix.



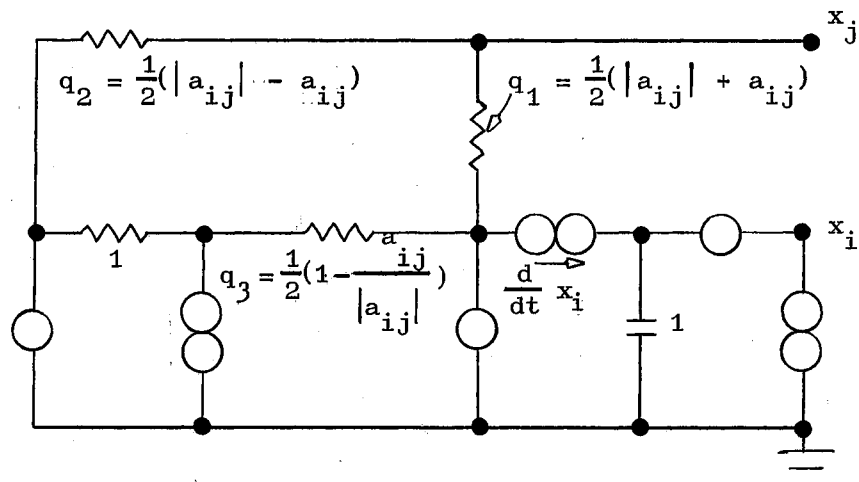


Figure 3.7.1. Scheme for Synthesizing Network

It can be seen that the scheme in Figure 3.7.1 consists of the two building blocks in Figure 3.4.1. However, since  $q_1$ ,  $q_2$ , and  $q_3$  represent conductances, when  $a_{ij}$  is negative, the branch of  $q_1$  is open-circuited; whereas, when  $a_{ij}$  is positive, the branches of both  $q_2$  and  $q_3$  are open-circuited, thus causing the summer (or inverter) to be disconnected; and when  $a_{ij}$  is zero, the branches of  $q_1$ ,  $q_2$ , and  $q_3$  are all open-circuited.

The following example illustrates the synthesis of an arbitrary A-matrix using the scheme in Figure 3.7.1.

**Example 3.7.1** Consider the source-free state equations:

$$\frac{d}{dt} \begin{bmatrix} x_1 \\ x_2 \\ x_3 \end{bmatrix} = \begin{bmatrix} 0 & 1 & 0 \\ 5 & 0 & 2 \\ -2 & 0 & -2 \end{bmatrix} \begin{bmatrix} x_1 \\ x_2 \\ x_3 \end{bmatrix} = A \begin{bmatrix} x_1 \\ x_2 \\ x_3 \end{bmatrix} \quad (3.7.1)$$

where the A-matrix is as identified. It is desired to realize this

A-matrix.

By using the scheme in Figure 3.7.1 for every entry in this A-matrix, the realized network is shown in Figure 3.7.2.

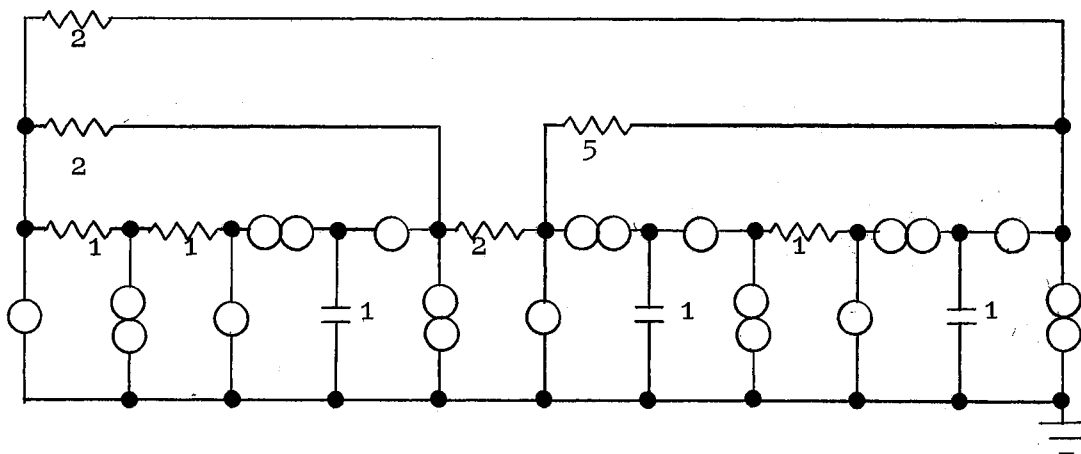


Figure 3.7.2. Example Synthesized Network

In the scheme for synthesizing an arbitrary A-matrix in Figure 3.7.1, the element value of the capacitor is unity, and, therefore, in the realization, each capacitor has unit magnitude. If in the realization of an A-matrix, each of the capacitors with element value different from unity is desired, the following scheme in Figure 3.7.3 can be used to achieve this, where  $x_i$  and  $x_j$  have the same meaning as before. For example, the A-matrix in Example 3.7.1 can be synthesized by using this scheme. This is shown in Figure 3.7.4. The capacitances  $C_1$ ,  $C_2$ , and  $C_3$  can assume any suitable values.

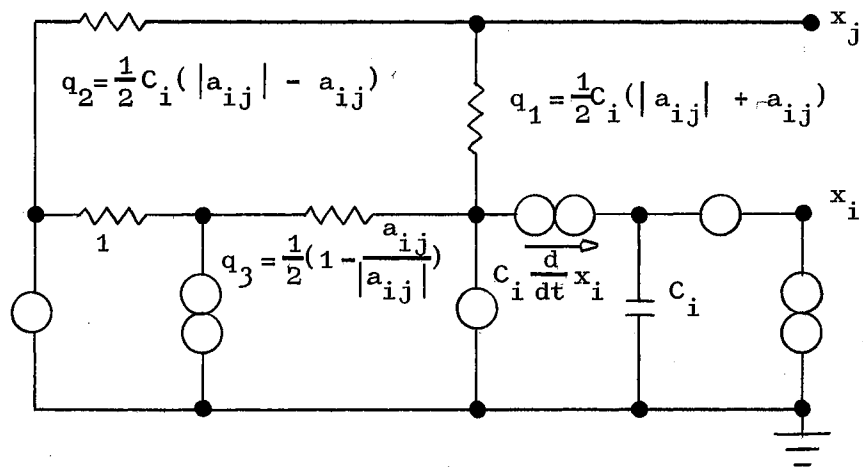


Figure 3.7.3. Scheme for Synthesizing Network Corresponding to Figure 3.7.1

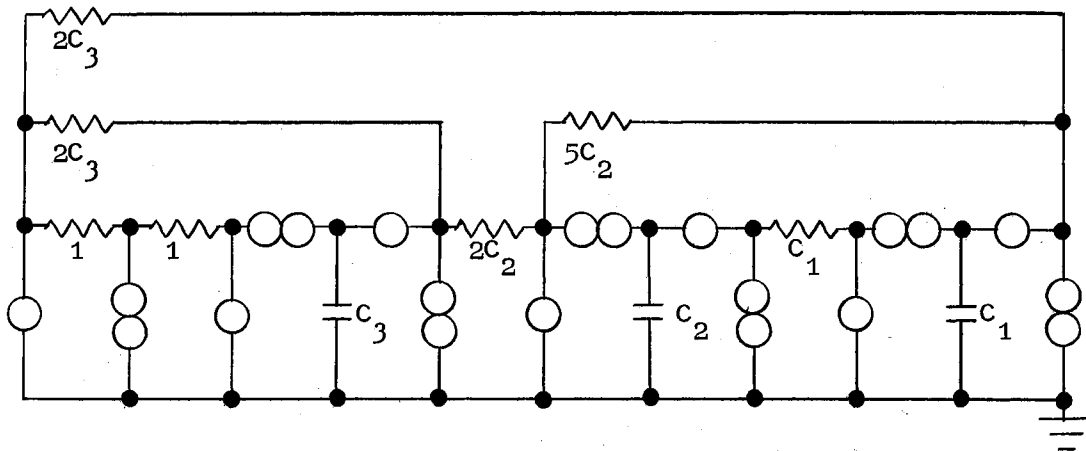


Figure 3.7.4. Example Synthesized Network Corresponding to Figure 3.7.2

Perhaps it is worthwhile to make a comment about classical A-matrix realizations using operational amplifiers. The realization in terms of operational amplifiers first, and then replacing the operational





$j \neq n$ , represents an  $n \times 2$  submatrix with the entry in the  $i^{\text{th}}$  row of the first column as  $-1$  and the entry in the  $j^{\text{th}}$  row of the second column as  $1$  and the remaining entries as zero, and  $F_{(n-1)n}$  represents an  $n \times 2$  submatrix with both nonzero entries in the  $(n-1)^{\text{th}}$  row of the first column and in the  $n^{\text{th}}$  row of the second column as  $-1$ . Note that  $F_{12}$  always exists. Note also that Equation (3.8.2) cannot be applied when  $n=2$  since for this case in the decomposition, there will be an  $F_{02}$  which is not defined. When  $n=2$ , the decomposition is

$$A_T = [E_{11} | E_{22}] \cdot \text{diag} (a_0, a_1, a_1, a_2) \cdot [F_{12} | F_{(n-1)n}]^T. \quad (3.8.3)$$

The above decomposition in Equation (3.8.2) or (3.8.3) can be verified by multiplying out the three matrices in the right-hand side.

To illustrate the decomposition, consider a fourth-order A-matrix. It follows from Equation (3.8.2) that  $A_T = [E_{11} \ E_{33} | E_{22} \ E_{44}] \cdot \text{diag} (a_0, a_1, a_2, a_3, a_1, a_2, a_3, a_4) \cdot [F_{12} \ F_{24} | F_{13} \ F_{34}]^T$ , or equivalently

$$\begin{bmatrix} -a_0 & a_1 & 0 & 0 \\ -a_1 & 0 & a_2 & 0 \\ 0 & -a_2 & 0 & a_3 \\ 0 & 0 & -a_3 & -a_4 \end{bmatrix} = \begin{bmatrix} 1 & 1 & 0 & 0 & 0 & 0 & 0 & 0 \\ 0 & 0 & 0 & 0 & 1 & 1 & 0 & 0 \\ 0 & 0 & 1 & 1 & 0 & 0 & 0 & 0 \\ 0 & 0 & 0 & 0 & 0 & 0 & 1 & 1 \end{bmatrix} \begin{bmatrix} a_0 \\ a_1 \\ a_2 \\ a_3 \\ a_1 \\ a_2 \\ a_3 \\ a_4 \end{bmatrix}$$

$$\cdot \begin{bmatrix} -1 & 0 & 0 & 0 & -1 & 0 & 0 & 0 \\ 0 & 1 & -1 & 0 & 0 & 0 & 0 & 0 \\ 0 & 0 & 0 & 0 & 0 & 1 & -1 & 0 \\ 0 & 0 & 0 & 1 & 0 & 0 & 0 & -1 \end{bmatrix}^T. \quad (3.8.4)$$

Now, comparing the matrix  $A_T$  in Equation (3.8.2) with the A-matrix in symbolic form in Equation (3.2.2) with  $C_b$  again chosen to be a unit matrix yields

$$C_{22} = \begin{bmatrix} E_{11} & E_{33} & E_{55} & \cdots & E_{(n-3)(n-3)} & E_{(n-1)(n-1)} \\ E_{(n-2)(n-2)} & E_{nn} \end{bmatrix} \begin{bmatrix} E_{22} & E_{44} & E_{66} & \cdots \end{bmatrix} \quad (3.8.5)$$

$$G_c = \text{diag} (a_0, a_1, a_2, \dots, a_{n-1}, a_1, a_2, \dots, a_n) \quad (3.8.6)$$

and

$$C_{23} C_{33}^{-1} C_{32} - C_{22} = \begin{bmatrix} F_{12} & F_{24} & F_{46} & \cdots & F_{(n-4)(n-2)} & F_{(n-2)n} \\ F_{13} & F_{35} & F_{57} & \cdots & F_{(n-3)(n-1)} & F_{(n-1)n} \end{bmatrix}. \quad (3.8.7)$$

From Equations (3.8.5) and (3.8.7) with  $C_{33}$  set to be a unit matrix for the same reason as before, the following equation is obtained:

$$\begin{aligned} C_{23} C_{32} &= \left[ (E_{11} + F_{12}) (E_{33} + F_{24}) (E_{55} + F_{46}) \cdots (E_{(n-3)(n-3)} \right. \\ &\quad \left. + F_{(n-4)(n-2)}) (E_{(n-1)(n-1)} + F_{(n-2)n}) \right. \\ &\quad \left. \begin{bmatrix} (E_{22} + F_{13}) & (E_{44} + F_{35}) & (E_{66} + F_{57}) & \cdots \\ (E_{(n-2)(n-2)} + F_{(n-3)(n-1)}) & (E_{nn} + F_{(n-1)n}) \end{bmatrix} \right] \\ &= \begin{bmatrix} H_1 & H_2 & H_3 & \cdots & H_{(n-2)/2} & H_{n/2} \\ \cdots & H_{n-1} & H_n \end{bmatrix} \end{aligned} \quad (3.8.8)$$

where  $H_1 = E_{11} + F_{12}$ ,  $H_2 = E_{33} + F_{24}$ ,  $\dots$ , and  $H_n = E_{nn} + F_{(n-1)n}$ .

Equation (3.8.8) is then decomposed as

$$\begin{aligned}
 C_{23}C_{32} &= \begin{bmatrix} (H_1 H_2 \dots H_{n/2}) & (H_{(n+2)/2} H_{(n+4)/2} \dots H_n) \end{bmatrix} \\
 &= \begin{bmatrix} (H_1 H_2 \dots H_{n/2}) & U \end{bmatrix} \begin{bmatrix} U & 0 \\ 0 & (H_{(n+2)/2} H_{(n+4)/2} \dots H_n) \end{bmatrix}.
 \end{aligned}
 \tag{3.8.9}$$

Therefore, a choice for  $C_{23}$  and  $C_{32}$  is

$$C_{23} = \begin{bmatrix} (H_1 H_2 \dots H_{n/2}) & U \end{bmatrix} \tag{3.8.10}$$

$$C_{32} = \begin{bmatrix} U & 0 \\ 0 & (H_{(n+2)/2} H_{(n+4)/2} \dots H_n) \end{bmatrix} \tag{3.8.11}$$

It should be pointed out that the first column of  $H_1$ , or of  $C_{23}$  in Equation (3.8.10) is a zero column and will be deleted. After deleting this column, the matrix  $H_1$  will be denoted by  $H'_1$ , and  $C_{23}$  by  $C'_{23}$ . The corresponding first row of  $C_{32}$  in Equation (3.8.11) also will be deleted. After deleting this row, the matrix  $C_{32}$  will be denoted by  $C'_{32}$  and is

$$C'_{32} = \begin{bmatrix} U' & 0' \\ 0 & (H_{(n+2)/2} H_{(n+4)/2} \dots H_n) \end{bmatrix}$$

where  $U'$  and  $0'$  are the corresponding unit matrix and zero matrix,  $U$  and  $0$ , in Equation (3.8.11) with the first row deleted.

The fundamental cut-set matrix can now be obtained as



$$\begin{aligned}
C_T &= \left[ \begin{array}{cc|cc} U & 0 & c_{22} & c'_{23} \\ 0 & U & c'_{32} & c_{33} \end{array} \right] \\
&= \left[ \begin{array}{ccc|cccc|cccc|c} U & 0 & 0 & E_{11} & E_{33} & \dots & E_{(n-1)(n-1)} & E_{22} & E_{44} & \dots & E_{nn} & H'_1 & H_2 & \dots & H_{n/2} & U \\ 0 & U & 0 & & & & U' & & & & & & U & & & 0 \\ 0 & 0 & U & & & & 0 & H_{(n+2)/2} & H_{(n+4)/2} & \dots & H_n & & 0 & & & U \end{array} \right]
\end{aligned} \tag{3.8.12}$$

Again, it can be shown that the above fundamental cut-set matrix is always realizable by simply constructing the graph. The resulting graph and the synthesized network are shown in Figures 3.8.1 and 3.8.2, respectively, where the element values of the conductors are obtained from  $G_c$  in Equation (3.8.6) and all the capacitances are of unit magnitude because the matrix  $C_b$  is assumed to be a unit matrix. Dashed lines are indicated in Figure 3.8.2 to enclose the fundamental blocks  $L_1, L_2, \dots, L_{n-1}$ . Among these blocks, there are only two basic types. For example,  $L_1$  and  $L_2$  form these two basic types. The block  $L_i$  is of the same form as  $L_1$  if  $i$  is odd and of the same form as  $L_2$  if  $i$  is even.

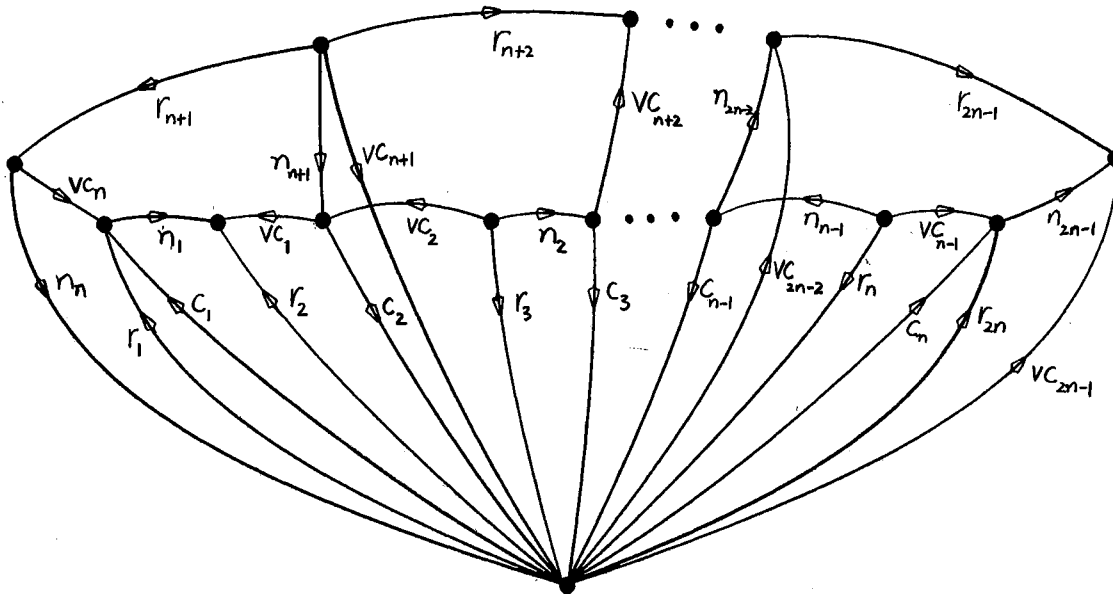


Figure 3.8.1. Network Graph With n Even

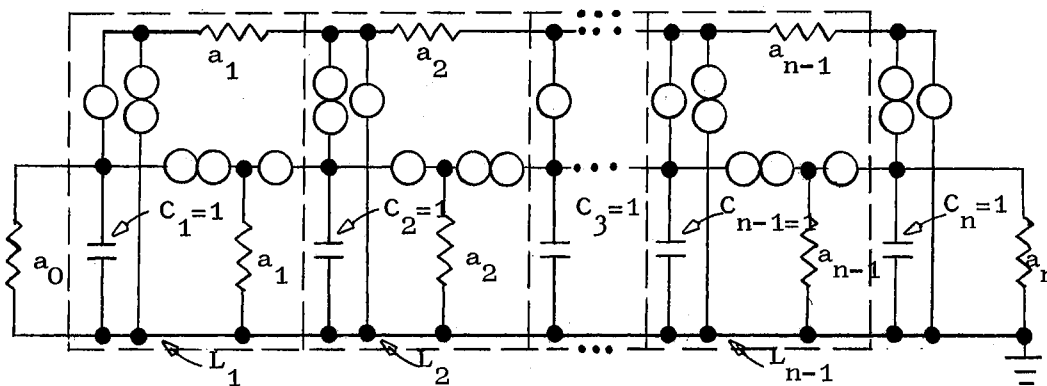


Figure 3.8.2. Synthesized Network

When  $n=2$ , it proceeds in the same way as above, and the realization will be as shown in Figure 3.8.2 with  $n=2$ .

(II)  $n$  odd

A decomposition of  $A_T$  with  $n$  odd in Equation (3.8.1) into a matrix



Now, comparing Equation (3.8.13) with Equation (3.2.2), setting  $C_b$  to be a unit matrix, results in

$$C_{22} = \left[ \begin{array}{c|c} E_{11} & E_{22} \\ \hline E_{33} & E_{44} \\ E_{55} & \dots \\ \dots & \dots \\ E_{(n-2)(n-2)} & E_{nn} \\ \hline & E_{(n-3)(n-3)} \\ & \dots \\ & E_{(n-1)(n-1)} \end{array} \right] \quad (3.8.15)$$

$$G_c = \text{diag} (a_0, a_1, a_2, \dots, a_n, a_1, a_2, \dots, a_{n-1}) \quad (3.8.16)$$

and

$$C_{23} C_{33}^{-1} C_{32} - C_{22} = \left[ \begin{array}{c|c} F_{12} & F_{(n-3)(n-1)} \\ \hline F_{24} & F_{(n-1)n} \\ F_{46} & \dots \\ \dots & \dots \\ F_{(n-4)(n-2)} & F_{(n-2)n} \end{array} \right] \quad (3.8.17)$$

Substituting  $C_{22}$  from Equation (3.8.15) into Equation (3.8.17) with  $C_{33}$  set as a unit matrix gives

$$\begin{aligned} C_{23} C_{32} &= \left[ (E_{11} + F_{12}) (E_{33} + F_{24}) (E_{55} + F_{46}) \dots (E_{(n-2)(n-2)} \right. \\ &\quad \left. + F_{(n-3)(n-1)}) (E_{nn} + F_{(n-1)n}) \left| \begin{array}{c} (E_{22} + F_{13}) \\ (E_{44} + F_{35}) \\ (E_{66} + F_{57}) \dots \\ (E_{(n-3)(n-3)} \\ + F_{(n-4)(n-2)}) \end{array} \right. \right. \\ &\quad \left. (E_{(n-1)(n-1)} + F_{(n-2)n}) \right] \\ &= \left[ K_1 K_2 K_3 \dots K_{(n-1)/2} K_{(n+1)/2} \left| \begin{array}{c} K_{(n+3)/2} \\ K_{(n+5)/2} \\ K_{(n+7)/2} \dots \\ K_{n-1} K_n \end{array} \right. \right] \quad (3.8.18) \end{aligned}$$

where  $K_1 = E_{11} + F_{12}$ ,  $K_2 = E_{33} + F_{24}$ ,  $\dots$ , and  $K_n = E_{(n-1)(n-1)} + F_{(n-2)n}$ .

Equation (3.8.18) is then decomposed as

$$\begin{aligned}
C_{23} C_{32} &= [(K_1 \ K_2 \ \dots \ K_{(n+1)/2}) \ (K_{(n+3)/2} \ \dots \ K_{n-1} \ K_n)] \\
&= [(K_1 \ K_2 \ \dots \ K_{(n+1)/2}) \ U] \begin{bmatrix} U & & & 0 \\ & & & \\ & & & \\ 0 & (K_{(n+3)/2} \ \dots \ K_{n-1} \ K_n) & & \end{bmatrix}.
\end{aligned} \tag{3.8.19}$$

Therefore, choose  $C_{23}$  and  $C_{32}$  as

$$C_{23} = [K_1 \ K_2 \ \dots \ K_{(n+1)/2}) \ U] \tag{3.8.20}$$

$$C_{32} = \begin{bmatrix} U & & & 0 \\ & & & \\ & & & \\ 0 & (K_{(n+3)/2} \ \dots \ K_{n-1} \ K_n) & & \end{bmatrix}. \tag{3.8.21}$$

Note that in Equation (3.8.20) the first column of  $K_1$ , or of  $C_{23}$ , and the second column of  $K_{(n+1)/2}$  or the  $(n+1)^{\text{th}}$  column of  $C_{23}$  are both zero columns and, therefore, these two columns can be deleted without losing any information. The resulting  $K_1$  and  $K_{(n+1)/2}$  will be identified by  $K'_1$  and  $K'_{(n+1)/2}$ , respectively, and the resulting  $C_{23}$  will be identified by  $C'_{23}$ . Furthermore, the corresponding first and  $(n+1)^{\text{th}}$  rows of  $C_{32}$  in Equation (3.8.21) will also be deleted. After these two rows are deleted,  $C_{32}$  will be identified by  $C'_{32}$  and is

$$C'_{32} = \begin{bmatrix} U' & & & 0' \\ & & & \\ & & & \\ 0 & K_{(n+3)/2} \ K_{(n+5)/2} \ \dots \ K_n & & \end{bmatrix}.$$

Now, combine  $C_{22}$ ,  $C'_{23}$ ,  $C'_{32}$  obtained above and  $C_{33}$  which is assumed to be a unit matrix to form the fundamental cut-set matrix

$$\begin{aligned}
 C_T &= \left[ \begin{array}{c|c|c|c} U & 0 & C_{22} & C'_{23} \\ \hline 0 & U & C'_{32} & C_{33} \end{array} \right] \\
 &= \left[ \begin{array}{c|c|c|c|c|c|c|c|c|c} U & 0 & 0 & E_{11} & E_{33} & \dots & E_{nn} & E_{22} & E_{44} & \dots & E_{(n-1)(n-1)} & K'_1 & K_2 & \dots & K'_{(n+1)/2} & U \\ \hline 0 & U & 0 & & & & U' & & & & & & & & U & 0 \\ \hline 0 & 0 & U & & & & 0 & K_{(n+3)/2} & K_{(n+5)/2} & \dots & K_n & & & 0 & & U \end{array} \right] \\
 & \qquad \qquad \qquad (3.8.22)
 \end{aligned}$$

The above fundamental cut-set matrix can be shown to be realizable by constructing the graph. The resulting graph and the synthesized network are shown in Figures 3.8.3 and 3.8.4, respectively. Again, dashed lines are used to enclose the fundamental blocks  $L_1, L_2, \dots, L_{n-1}$ . The statements about the fundamental blocks in Case (I) hold true for Figure 3.8.4. That is, there are two basic types of the fundamental blocks, such as  $L_1$  and  $L_2$ ; the block  $L_i$  is of the same form as  $L_1$  if  $i$  is odd and of the same form as  $L_2$  if  $i$  is even. The difference between the two synthesized networks of Figures 3.8.4 and 3.8.2 lies in the right-most pair of nullator-norator across the capacitor  $C_n$ , where one is switched around to get the other.

It may be observed that since the realization in Figure 3.8.2 or 3.8.4 has fundamental building blocks, it can be obtained just by inspection of the given tridiagonal A-matrix. Nevertheless, for illustration of the synthesis procedure, an example is given below.

Example 3.8.1 Consider the tridiagonal A-matrix

$$A_P = \begin{bmatrix} -0.08 & 0.709 & 0 \\ -0.709 & 0 & 1.53 \\ 0 & -1.53 & -1.92 \end{bmatrix} \qquad (3.8.23)$$

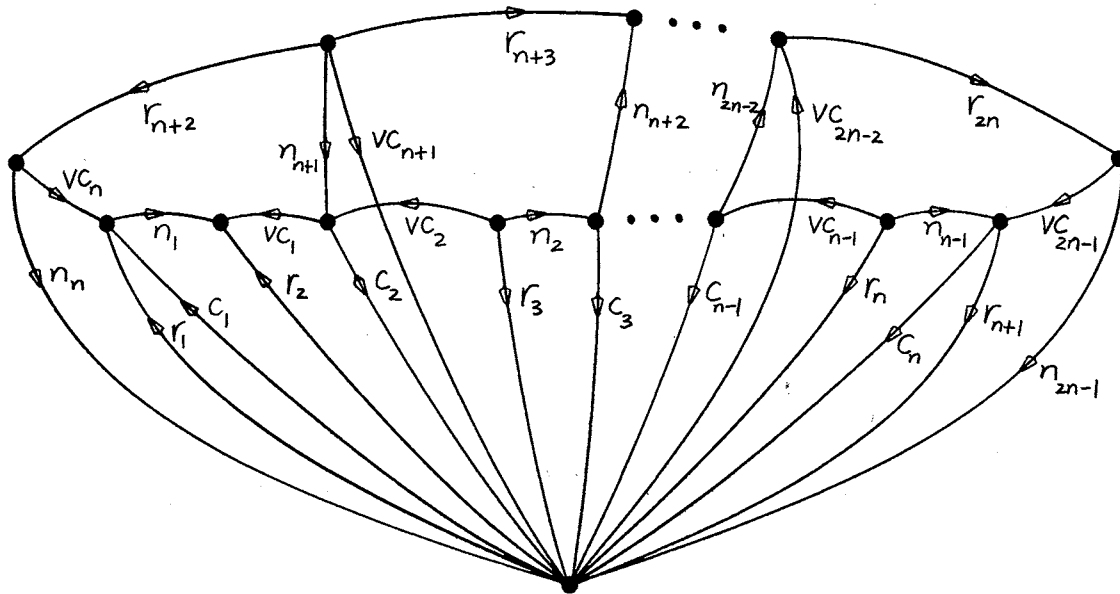


Figure 3.8.3. Network Graph With n Odd

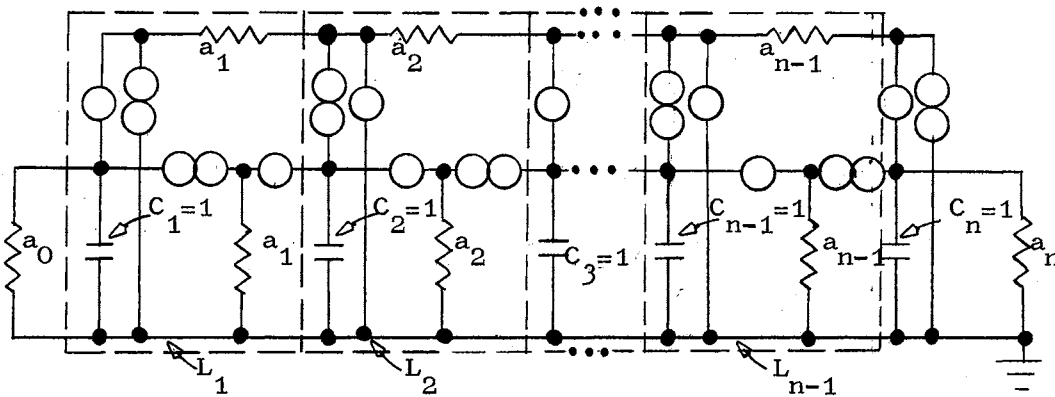


Figure 3.8.4. Synthesized Network

where the corresponding characteristic polynomial is  $P(s) = |sU - A_p| = s^3 + 2s^2 + 3s + 1$ , which is strictly Hurwitz. First, decompose  $A_p$  into a matrix triple product, using Equation (3.8.13) and is

$$A_p = \begin{bmatrix} \underline{1} & \underline{1} & \underline{0} & \underline{0} & \underline{0} & \underline{0} \\ \underline{0} & \underline{0} & \underline{0} & \underline{0} & \underline{1} & \underline{1} \\ \underline{0} & \underline{0} & \underline{1} & \underline{1} & \underline{0} & \underline{0} \end{bmatrix} \begin{bmatrix} \underline{0.08} & & & & & \\ & \underline{0.709} & & & & \\ & & \underline{1.53} & & & \\ & & & \underline{1.92} & & \\ & & & & \underline{0.709} & \\ & & & & & \underline{1.53} \end{bmatrix} \begin{bmatrix} \underline{-1} & \underline{0} & \underline{0} & \underline{0} & \underline{-1} & \underline{0} \\ \underline{0} & \underline{1} & \underline{-1} & \underline{0} & \underline{0} & \underline{0} \\ \underline{0} & \underline{0} & \underline{0} & \underline{-1} & \underline{0} & \underline{1} \end{bmatrix}^T \quad (3.8.24)$$

By comparing Equation (3.8.24) with Equation (3.2.2), setting  $C_b$  as a unit matrix, the following equations are obtained:

$$C_{22} = \begin{bmatrix} \underline{1} & \underline{1} & \underline{0} & \underline{0} & \underline{0} & \underline{0} \\ \underline{0} & \underline{0} & \underline{0} & \underline{0} & \underline{1} & \underline{1} \\ \underline{0} & \underline{0} & \underline{1} & \underline{1} & \underline{0} & \underline{0} \end{bmatrix} \quad (3.8.25)$$

$$G_c = \begin{bmatrix} \underline{0.08} & & & & & \\ & \underline{0.79} & & & & \\ & & \underline{1.53} & & & \\ & & & \underline{1.92} & & \\ & & & & \underline{0.709} & \\ & & & & & \underline{1.53} \end{bmatrix} \quad (3.8.26)$$

$$C_{23} C_{33}^{-1} C_{32} - C_{22} = \begin{bmatrix} \underline{-1} & \underline{0} & \underline{0} & \underline{0} & \underline{-1} & \underline{0} \\ \underline{0} & \underline{1} & \underline{-1} & \underline{0} & \underline{0} & \underline{0} \\ \underline{0} & \underline{0} & \underline{0} & \underline{-1} & \underline{0} & \underline{1} \end{bmatrix} \quad (3.8.27)$$

Combining Equations (3.8.25) and (3.8.27) with  $C_{33}$  chosen to be a unit matrix results in



$$C_{23}C_{32} = \left[ \begin{array}{cccc|cc} 0 & 1 & 0 & 0 & -1 & 0 \\ 0 & 1 & -1 & 0 & 1 & 1 \\ 0 & 0 & 1 & 0 & 0 & 1 \end{array} \right]$$

$$= \left[ \begin{array}{cccc|ccc} 0 & 1 & 0 & 0 & 1 & 0 & 0 \\ 0 & 1 & -1 & 0 & 0 & 1 & 0 \\ 0 & 0 & 1 & 0 & 0 & 0 & 1 \end{array} \right] \left[ \begin{array}{cccc|ccc} 1 & 0 & 0 & 0 & 0 & 0 & \\ 0 & 1 & 0 & 0 & 0 & 0 & \\ 0 & 0 & 1 & 0 & 0 & 0 & \\ 0 & 0 & 0 & 1 & 0 & 0 & \\ \hline 0 & 0 & 0 & 0 & -1 & 0 & \\ 0 & 0 & 0 & 0 & 1 & 1 & \\ 0 & 0 & 0 & 0 & 0 & 1 & \end{array} \right]$$

deleted

deleted

$$= \left[ \begin{array}{cc|cc} 1 & 0 & 1 & 0 \\ 1 & -1 & 0 & 1 \\ 0 & 1 & 0 & 0 \end{array} \right] \left[ \begin{array}{cccc|ccc} 0 & 1 & 0 & 0 & 0 & 0 & \\ 0 & 0 & 1 & 0 & 0 & 0 & \\ \hline 0 & 0 & 0 & 0 & -1 & 0 & \\ 0 & 0 & 0 & 0 & 1 & 1 & \\ 0 & 0 & 0 & 0 & 0 & 1 & \end{array} \right] \quad (3.8.28)$$

Hence, choose  $C_{23}$  and  $C_{32}$  as

$$C_{23} = \left[ \begin{array}{cccc|c} 1 & 0 & 1 & 0 & 0 \\ 1 & -1 & 0 & 1 & 0 \\ 0 & 1 & 0 & 0 & 1 \end{array} \right] \quad (3.8.29)$$

$$C_{32} = \left[ \begin{array}{cccc|cc} 0 & 1 & 0 & 0 & 0 & 0 \\ 0 & 0 & 1 & 0 & 0 & 0 \\ 0 & 0 & 0 & 0 & -1 & 0 \\ 0 & 0 & 0 & 0 & 1 & 1 \\ 0 & 0 & 0 & 0 & 0 & 1 \end{array} \right] \quad (3.8.30)$$



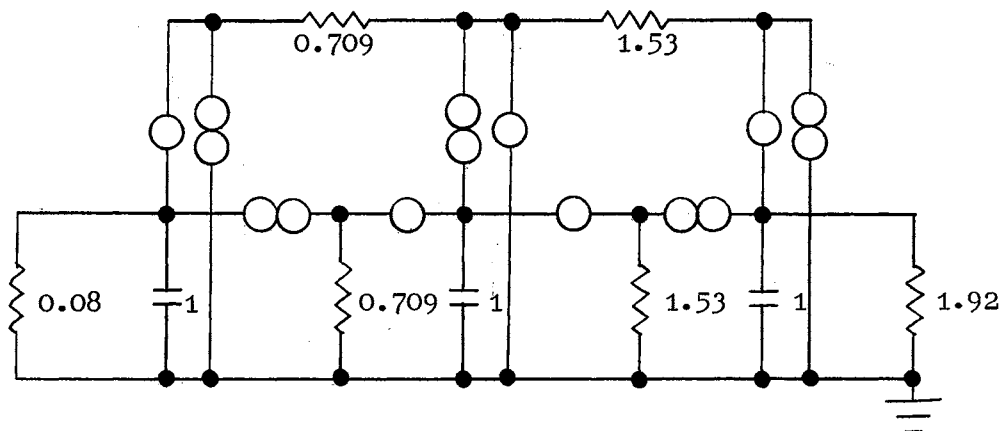


Figure 3.8.6. Example Synthesized Network

It is noted that in the tridiagonal A-matrix  $A_T$  in Equation (3.8.1),  $n$  even or odd, the entries  $a_{ij}$  and  $a_{ji}$ ,  $j = i + 1$ ,  $i = 1, 2, \dots$ , or  $(n-1)$ , have the same value, but  $a_{ij}$  is positive and  $a_{ji}$  is negative. As a matter of fact, for these two entries,  $a_{ij}$  and  $a_{ji}$ , as long as one is positive and the other is negative, the resulting tridiagonal A-matrix will possess the same characteristic polynomial and will have the same realization as the tridiagonal A-matrix in Equation (3.8.1). For example, each of the following two matrices has the same characteristic polynomial as the matrix  $A_p$  in Equation (3.8.23), and their realizations, respectively, are the same as that of  $A_p$ , which is shown in Figure 3.8.6. This can be proved by carrying out the detailed synthesis procedure.

$$A_{P_1} = \begin{bmatrix} -0.08 & -0.709 & 0 \\ 0.709 & 0 & 1.53 \\ 0 & -1.53 & -1.92 \end{bmatrix}$$

$$A_{P_2} = \begin{bmatrix} -0.08 & -0.709 & 0 \\ 0.709 & 0 & -1.53 \\ 0 & 1.53 & -1.92 \end{bmatrix}$$

Note further that corresponding to the two entries  $a_{ij}$  and  $a_{ji}$  mentioned in the preceding paragraph, there are two conductances  $a_i$  which are not distinguished in the fundamental block  $L_i$  of the general synthesized network shown in Figure 3.8.2 or 3.8.4. In fact, the  $a_{ij}$ 's and the  $a_{ji}$ 's may not be equal, but if a tridiagonal matrix is derived from a characteristic polynomial which is strictly Hurwitz, the relationship  $a_{ij}a_{ji} = f_i$ ,  $j = i + 1$ ,  $i = 1, 2, \dots, n-1$ , should be held. Note that  $f_i$  is obtained from the Navot's method (31) of deriving a tridiagonal matrix. This will be discussed later in Subsection 5.4.1. From the network graph shown in Figure 3.8.1 or 3.8.3, it can be seen that the fundamental block  $L_i$  has the configuration shown in Figure 3.8.7, where  $a_{ij}$  may or may not be equal to  $a_{ji}$ .

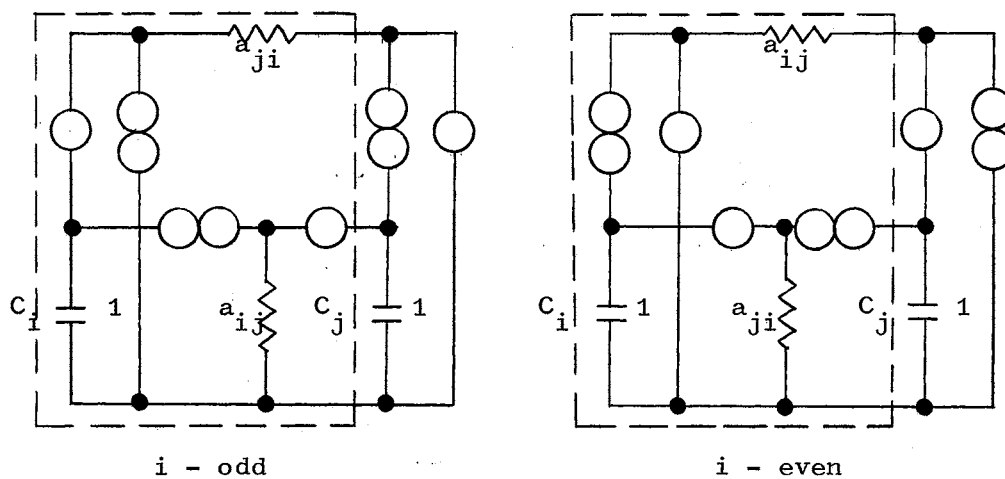


Figure 3.8.7. Fundamental Blocks

### 3.9 Comparison of the Synthesis Procedures

If the tridiagonal A-matrix  $A_T$  of Equation (3.8.1) is synthesized using the procedure developed in Section 3.7, the number of nullator-norator pairs used is greater than that using the procedure in Section 3.8. In general, for a tridiagonal A-matrix of order  $n$  as in Equation (3.8.1),  $n$  even or odd, the former procedure needs  $3n$  pairs of nullator-norator; whereas, the latter procedure needs  $(2n-1)$  pairs of nullator-norator; that is, the former procedure needs  $n+1$  more pairs of nullator-norator than the latter procedure. In view of the equivalent ideal transistor realization of a nullator-norator pair, the use of the procedure in Section 3.8 to synthesize a given tridiagonal A-matrix is desirable.

For the purpose of comparison, the realization of  $A_p$  in Equation (3.8.23) by the procedure of Section 3.7 is shown in Figure 3.9.1 where 9 pairs of nullator-norator are used. However, in the network of Figure 3.8.6 obtained by using the procedure of Section 3.8 only 5 pairs of nullator-norator are used.

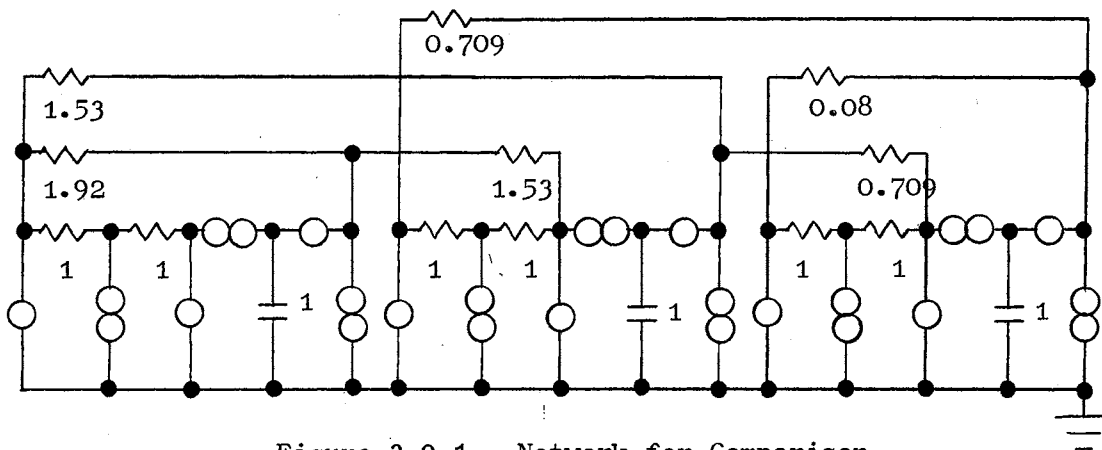


Figure 3.9.1. Network for Comparison

It is noted that the specification may be given in terms of a characteristic polynomial instead of an A-matrix. From this characteristic polynomial, the A-matrix in companion matrix form can be obtained easily by inspection; whereas, the derivation of the tridiagonal A-matrix is more involved. However, the realization of the latter uses fewer number of nullator-norator pairs than that of the former. Generally, for a characteristic polynomial of degree  $n$ , it needs  $2n+1$  pairs of nullator-norator to realize the corresponding A-matrix in companion matrix form, and  $2n-1$  pairs to realize the corresponding tridiagonal A-matrix. Furthermore, the tridiagonal A-matrix is considered to be the best as far as the sensitivity of the elements in the realized network is concerned (38).

The procedures discussed in the preceding sections are for source-free networks. They will be extended to include sources. These are the cases of realization of transfer functions, immittance matrices, and gyrators and are considered in the next chapter.

## CHAPTER IV

### SYNTHESIS OF TRANSFER FUNCTIONS, IMMITTANCE MATRICES, AND GYRATORS

#### 4.1 Introduction

The realization of an A-matrix has been considered in the preceding chapter. It will be used in the synthesis of transfer functions, immittance matrices, and gyrators by means of state models in this chapter. The transfer functions to be synthesized are voltage-ratio transfer functions, current-ratio transfer functions, transfer admittance functions, and transfer impedance functions. The immittance matrices to be synthesized are short-circuit admittance matrices, open-circuit impedance matrices, hybrid matrices, voltage transfer-function matrices and current transfer-function matrices. The synthesis of transfer functions is considered first and is given in the next section.

#### 4.2 Synthesis of Transfer Functions

Efforts are directed to synthesize voltage transfer functions. The results will be extended to other types of transfer functions.

Consider the voltage-ratio transfer function

$$T(s) = \frac{V_o(s)}{V_{in}(s)} = d + \frac{b_n s^{n-1} + b_{n-1} s^{n-2} + \dots + b_2 s + b_1}{s^n + a_n s^{n-1} + \dots + a_2 s + a_1} \quad (4.2.1)$$

where  $V_o(s)$  and  $V_{in}(s)$  are the Laplace-transformed load and source voltage, respectively;  $a_1, a_2, \dots, b_1, b_2, \dots, b_n$ , and  $d$  are real constants. Corresponding to Equation (4.2.1), many forms of the state model exist. Perhaps the simplest one is the following (22) with the A-matrix in companion matrix form:

$$\begin{bmatrix} x_1 \\ x_2 \\ \cdot \\ \cdot \\ x_{n-1} \\ x_n \end{bmatrix} = \begin{bmatrix} 0 & 1 & 0 & \dots & 0 & 0 \\ 0 & 0 & 1 & \dots & 0 & 0 \\ \cdot & \cdot & \cdot & \cdot & \cdot & \cdot \\ \cdot & \cdot & \cdot & \cdot & \cdot & \cdot \\ \cdot & \cdot & \cdot & \cdot & \cdot & \cdot \\ 0 & 0 & 0 & \dots & 0 & 1 \\ -a_1 & -a_2 & -a_3 & \dots & -a_{n-1} & -a_n \end{bmatrix} \begin{bmatrix} x_1 \\ x_2 \\ \cdot \\ \cdot \\ x_{n-1} \\ x_n \end{bmatrix} + \begin{bmatrix} 0 \\ 0 \\ \cdot \\ \cdot \\ 0 \\ 1 \end{bmatrix} u \quad (4.2.2a)$$

$$y = \begin{bmatrix} b_1 & b_2 & b_3 & \dots & b_{n-1} & b_n \end{bmatrix} \begin{bmatrix} x_1 \\ x_2 \\ \cdot \\ \cdot \\ x_{n-1} \\ x_n \end{bmatrix} + du \quad (4.2.2b)$$

where  $u = v_{in}$  and  $y = v_o$ , the input function and the output function in the time domain.

As mentioned previously, to realize the transfer function in Equation (4.2.1), one needs to realize the corresponding state model such as in Equation (4.2.2); that is, to realize the set of matrices



{A,B,C,D} in Equation (4.2.2). The realization of an A-matrix has been achieved and the realization of a state model can be obtained with the use of the two building blocks shown in Figure 3.4.1 and the summing integrator in Figure 3.4.2, in addition to the A-matrix realization.

The synthesis procedure is illustrated in the following example.

Example 4.2.1 Consider the voltage-ratio transfer function

$$\frac{V_2(s)}{V_1(s)} = \frac{s^2 + 2}{s^2 + 0.1s + 1.2} \quad (4.2.3a)$$

which can be rewritten as

$$\frac{V_2(s)}{V_1(s)} = 1 + \frac{-0.1s + 0.8}{s^2 + 0.1s + 1.2} \quad (4.2.3b)$$

The state model corresponding to Equation (4.2.3) is, from Equation (4.2.2),

$$\frac{d}{dt} \begin{bmatrix} x_1 \\ x_2 \end{bmatrix} = \begin{bmatrix} 0 & 1 \\ -1.2 & -0.1 \end{bmatrix} \begin{bmatrix} x_1 \\ x_2 \end{bmatrix} + \begin{bmatrix} 0 \\ 1 \end{bmatrix} u \quad (4.2.4a)$$

$$y = \begin{bmatrix} 0.8 & -0.1 \end{bmatrix} \begin{bmatrix} x_1 \\ x_2 \end{bmatrix} + u \quad (4.2.4b)$$

where  $u = v_1$  and  $y = v_2$ .

The realization of the state model in Equation (4.2.4) can be obtained by first realizing the A-matrix. This can be done by inspection from Figure 3.3.4 and the realization is shown in Figure 4.2.1.

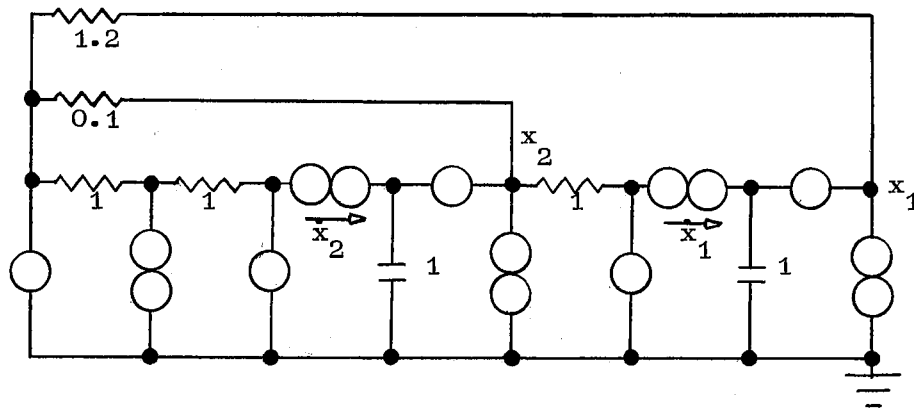


Figure 4.2.1. Example A-Matrix Realization

Now, the source  $u$  must be incorporated into the realization of the A-matrix in Figure 4.2.1, and the algebraic set of the state model, i.e., the output equation, in Equation (4.2.4b) must be realized.

It is seen from Equation (4.2.4a) that the source  $u$  is related to  $\frac{d}{dt} x_2$  which represents the current through the capacitor  $C_2$ . This will be implemented by using a summing integrator shown in Figure 3.4.2 in the same way as a voltage source is applied to the operational amplifier of an integrator in an analog-computer simulation diagram. To realize the output equation in Equation (4.2.4b), two summers shown in Figure 3.4.1(b) will be used, the first being served as an inverter. The realization of the transfer function in Equation (4.2.3) is shown in Figure 4.2.2.

Earlier it was pointed out that there exist several realizations for a given A-matrix and, therefore, it follows that there are several realizations corresponding to a given transfer function.

If the transfer functions to be synthesized are of types other than the voltage-ratio transfer functions, then various kinds of controlled

sources (transducers) may be implemented at the source end and/or the output end when incorporating the source to and obtaining the output from the realization of the A-matrix. The representation of various controlled sources using nullator-norator circuits can be found in a book written by Mitra (28).

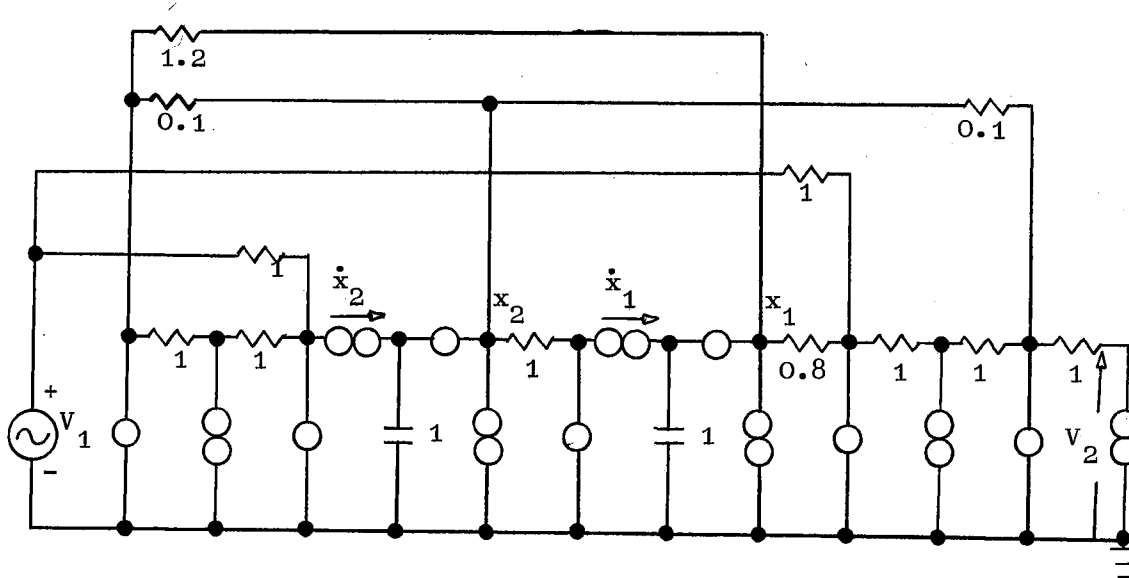


Figure 4.2.2. Example Synthesized Network

In the case of a transfer admittance function, a current-to-current transducer (CCT) which is an ideal current-controlled current source is needed at the output end. For a transfer impedance function, a current-to-voltage transducer (CVT) which is an ideal current-controlled voltage source is required at the source end. For a current-ratio transfer function, the CVT and CCT are needed at the source end and the output end, respectively.

The reasons for the possible use of these controlled sources are given as follows. At the source end, a summing integrator shown in Figure 3.4.2 will be used, and the inputs to this summing integrator always are voltages. Thus, if the source is a voltage source, no controlled sources are required; but if the source is a current source, a CVT is needed at the source end. At the output end, a summer shown in Figure 3.4.1(b) will be used, and the output of this summer is a voltage. Hence, if the output is a voltage, no controlled sources are required, but if the output is a current, a CCT is needed at the output end (another summer served as an inverter will be used, if necessary).

The following example illustrates the synthesis of a current-ratio transfer function.

**Example 4.2.2** Consider the current-ratio transfer function

$$\frac{I_2(s)}{I_1(s)} = \frac{4(s^2 + 2)}{s^2 + s + 1} \quad (4.2.5a)$$

which can be rewritten as

$$\frac{I_2(s)}{I_1(s)} = 4 + \frac{-4s + 4}{s^2 + s + 1}. \quad (4.2.5b)$$

A state model corresponding to Equation (4.2.5) can be derived as

$$\frac{d}{dt} \begin{bmatrix} x_1 \\ x_2 \end{bmatrix} = \begin{bmatrix} 0 & 1 \\ -1 & -1 \end{bmatrix} \begin{bmatrix} x_1 \\ x_2 \end{bmatrix} + \begin{bmatrix} 0 \\ 1 \end{bmatrix} u \quad (4.2.6a)$$

$$y = \begin{bmatrix} 4 & -4 \end{bmatrix} \begin{bmatrix} x_1 \\ x_2 \end{bmatrix} + 4u \quad (4.2.6b)$$

where  $u = i_1$  and  $y = i_2$ . The realizations of the A-matrix and of the state model in Equation (4.2.6) are shown in Figures 4.2.3 and 4.2.4, respectively.

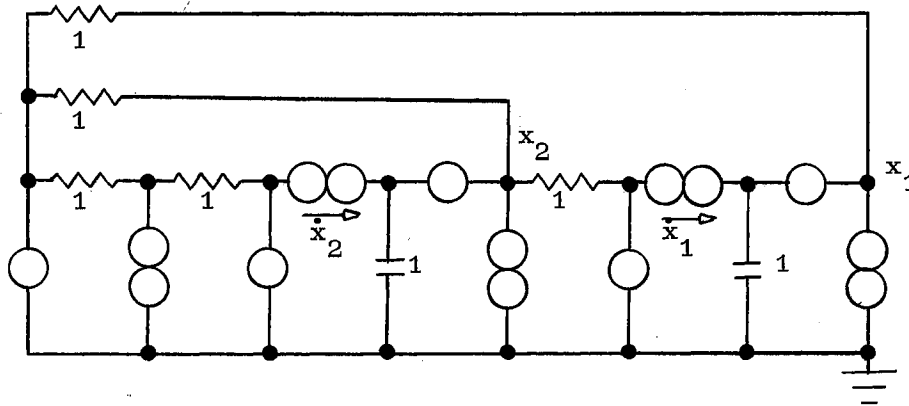


Figure 4.2.3. Example A-Matrix Realization

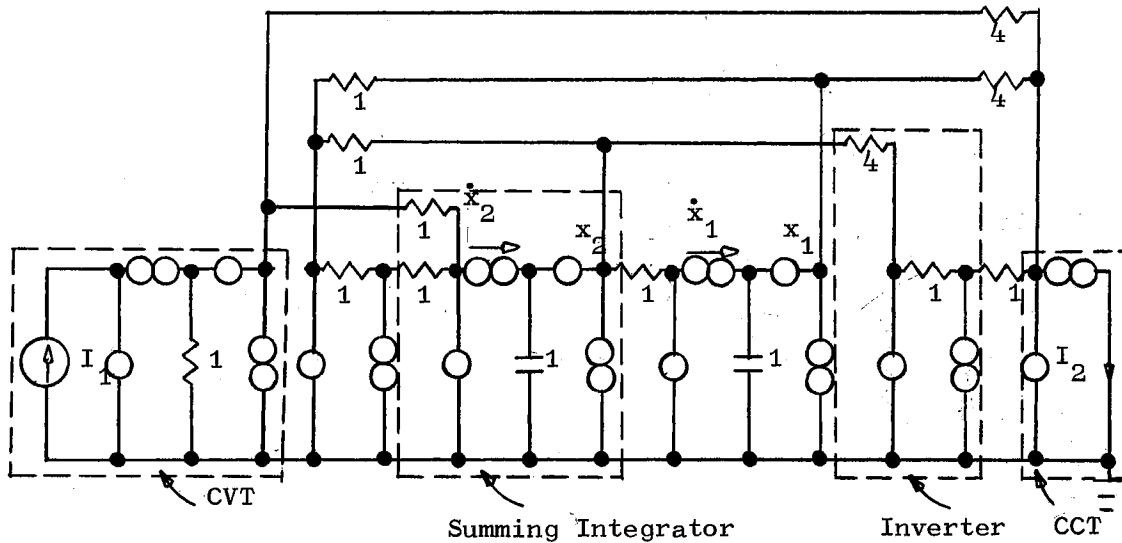


Figure 4.2.4. Example Synthesized Network

Note that in Figure 4.2.4 a CVT is used on the source end and a CCT is used on the output end. The CVT is applied to the summing integrator through a conductor of unit element value and the CCT just acts as a current-collecting device.

The synthesis of short-circuit admittance matrices using resistors, capacitors, and nullator-norator pairs will be considered in the next section.

### 4.3 Synthesis of Short-Circuit Admittance Matrices

A short-circuit admittance matrix  $Y(s) = [y_{ij}(s)]$  is defined by

$$\begin{bmatrix} I_1(s) \\ I_2(s) \\ \cdot \\ \cdot \\ \cdot \\ I_n(s) \end{bmatrix} = \begin{bmatrix} y_{11} & y_{12} & \cdot & \cdot & \cdot & y_{1n} \\ y_{21} & y_{22} & \cdot & \cdot & \cdot & y_{2n} \\ \cdot & \cdot & \cdot & \cdot & \cdot & \cdot \\ \cdot & \cdot & \cdot & \cdot & \cdot & \cdot \\ \cdot & \cdot & \cdot & \cdot & \cdot & \cdot \\ y_{n1} & y_{n2} & \cdot & \cdot & \cdot & y_{nn} \end{bmatrix} \begin{bmatrix} V_1(s) \\ V_2(s) \\ \cdot \\ \cdot \\ \cdot \\ V_n(s) \end{bmatrix} \quad (4.3.1a)$$

or more compactly by

$$I(s) = Y(s) V(s) \quad (4.3.1b)$$

where  $y_{ij}$  in general are functions of  $s$ , the Laplace-transformed variable.

The first step of the synthesis procedure is to find a state model corresponding to Equation (4.3.1). For the time being, it is assumed that the short-circuit admittance matrix  $Y(s)$  in Equation (4.3.1) has no

poles at infinity and, thus, the state model has the general form as in Equation (3.1.1) which is repeated below for ready reference:

$$\frac{d}{dt} x(t) = Ax(t) + Bu(t) \quad (4.3.2a)$$

$$y(t) = Cx(t) + Du(t) \quad (4.3.2b)$$

where  $x$  is the state vector corresponding to some capacitor voltages,  $u$  is the input voltage-source vector, and  $y$  is the output source-current vector. As mentioned in Section 3.1, the derivation of a state model from a short-circuit admittance matrix is somewhat more involved and can be found in (32).

The state model in Equation (4.3.2) is then modified such that its synthesis is reduced to the synthesis of a new  $A$ -matrix, to be called a "modified  $A$ -matrix". The technique developed previously can be applied to realize this modified  $A$ -matrix.

To achieve this,  $u(t)$  in Equation (4.3.2) is taken to be some other capacitor voltage vector  $u'(t)$ , and  $y(t)$  is taken to be the corresponding capacitor currents  $\frac{d}{dt} u'(t)$ , assuming capacitors of unit element value. Therefore, Equation (4.3.2) is written as

$$\frac{d}{dt} x(t) = Ax(t) + B u'(t) \quad (4.3.3a)$$

$$\frac{d}{dt} u'(t) = -Cx(t) - D u'(t) \quad (4.3.3b)$$

The minus signs before the matrices  $C$  and  $D$  in Equation (4.3.3b) are introduced because of the fact that the orientations of the source currents  $y(t)$  in Equation (4.3.2b) are opposite to those of the capacitor currents  $\frac{d}{dt} u'(t)$  in Equation (4.3.3b) if the polarities of the

voltage sources  $u(t)$  and of the capacitor voltages  $u'(t)$  are kept the same.

It follows from Equation (4.3.3) that

$$\frac{d}{dt} \begin{bmatrix} \bar{x}(t) \\ \bar{u}'(t) \end{bmatrix} = \begin{bmatrix} A & B \\ -C & -D \end{bmatrix} \begin{bmatrix} \bar{x}(t) \\ \bar{u}'(t) \end{bmatrix} \quad (4.3.4)$$

where  $\bar{u}'(t)$  is now part of the new state vector and the coefficient matrix

$$A' = \begin{bmatrix} A & B \\ -C & -D \end{bmatrix} \quad (4.3.5)$$

is to be considered as the "modified A-matrix". This modified A-matrix can be synthesized using the technique developed in Section 3.7. The realization of the given short-circuit admittance matrix is obtained by simply replacing the capacitors identified with  $\bar{u}'(t)$  in the realization of this modified A-matrix by voltage sources.

The following example illustrates the synthesis of a short-circuit admittance matrix.

Example 4.3.1 Consider the short-circuit admittance matrix

$$Y(s) = \frac{1}{s^2 + s + 1} \begin{bmatrix} 3s^2 + s + 2 & -(s + 1) \\ -2(s - 1) & 3s^2 + s + 3 \end{bmatrix}. \quad (4.3.6)$$

A state model corresponding to this admittance matrix can be derived as

$$\frac{d}{dt} \begin{bmatrix} x_1 \\ x_2 \end{bmatrix} = \begin{bmatrix} 0 & 1 \\ -1 & -1 \end{bmatrix} \begin{bmatrix} x_1 \\ x_2 \end{bmatrix} + \begin{bmatrix} 1 & 0 \\ 1 & 1 \end{bmatrix} \begin{bmatrix} u_1 \\ u_2 \end{bmatrix} \quad (4.3.7a)$$



$$\begin{bmatrix} y_1 \\ y_2 \end{bmatrix} = \begin{bmatrix} -1 & -1 \\ 0 & -2 \end{bmatrix} \begin{bmatrix} x_1 \\ x_2 \end{bmatrix} + \begin{bmatrix} 3 & 0 \\ 0 & 3 \end{bmatrix} \begin{bmatrix} u_1 \\ u_2 \end{bmatrix} \quad (4.3.7b)$$

where  $u_1, u_2$  are voltage sources and  $y_1, y_2$  are output currents.

The modified A-matrix in Equation (4.3.5) can now be formed from Equation (4.3.7):

$$\begin{aligned} A' &= \begin{bmatrix} A & B \\ -C & -D \end{bmatrix} \\ &= \begin{bmatrix} 0 & 1 & | & 1 & 0 \\ -1 & -1 & | & 1 & 1 \\ \hline 1 & 1 & | & -3 & 0 \\ 0 & 2 & | & 0 & -3 \end{bmatrix} . \end{aligned} \quad (4.3.8)$$

This modified A-matrix can be synthesized using the scheme in Figure 3.7.1. In its realization, replacing the capacitors corresponding to  $u_1'$  and  $u_2'$  by voltage source  $V_1$  and  $V_2$ , respectively, yields the synthesized network of the given short-circuit admittance matrix of Equation (4.3.6) as shown in Figure 4.3.1.

If the matrix  $Y(s)$  to be realized is a constant matrix, which means that in the realization there are no energy-storage elements, such as capacitors, then in the state model corresponding to this  $Y(s)$ , there will be no state vector, and only the algebraic set such as Equation (4.3.2b) exists. In other words, only the matrix D of the set of matrices  $\{A, B, C, D\}$  needs to be considered. Then, in this case, the modified A-matrix defined in Equation (4.3.5) is

$$A' = -D . \quad (4.3.9)$$

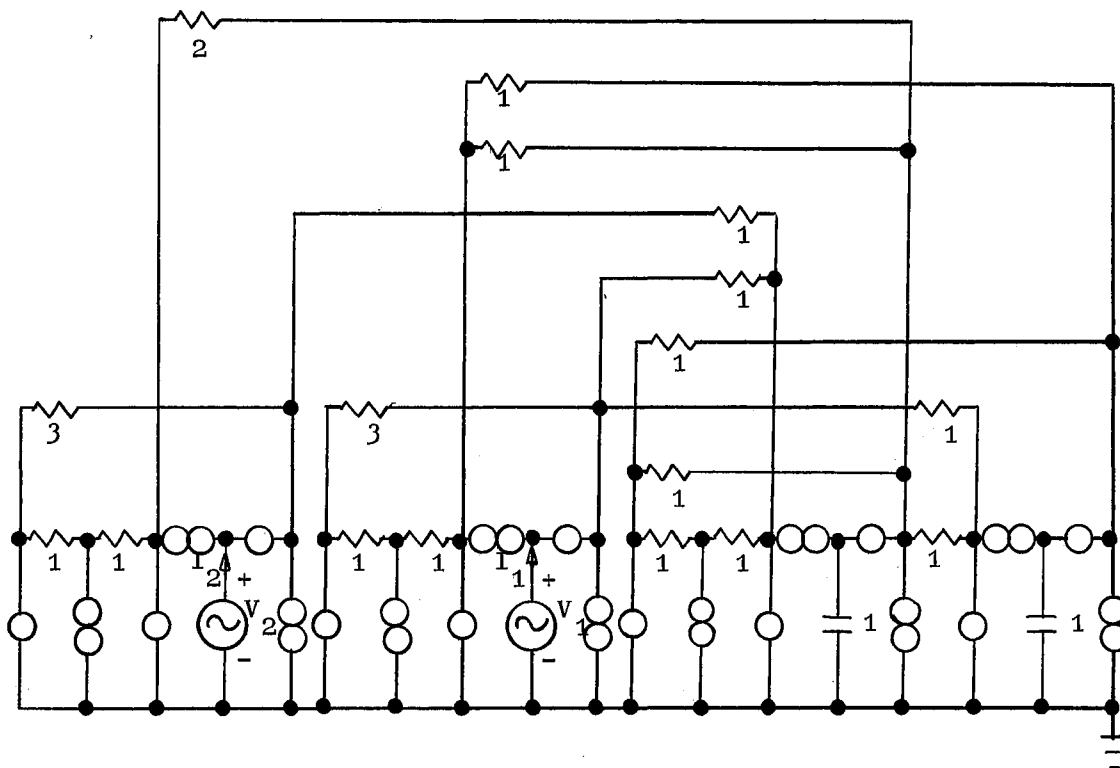


Figure 4.3.1. Example Synthesized Network

The realization of the constant matrix  $Y(s)$  is obtained when every capacitor in the realization of the modified A-matrix in Equation (4.3.9) is replaced by a voltage source.

The synthesis of driving-point admittance functions is of considerable interest (37). The above method can be used to obtain the realization. This is illustrated in the following example.

Example 4.3.2 Consider the realization of

$$Y_1(s) = -\frac{1}{s}. \quad (4.3.10)$$

The corresponding state model can be derived as

$$\frac{d}{dt} \mathbf{x} = \mathbf{u} \quad (4.3.11a)$$

$$\mathbf{y} = -\mathbf{x} \quad (4.3.11b)$$

Hence, the modified A-matrix is formed from Equation (4.3.11):

$$\begin{aligned} \mathbf{A}' &= \begin{bmatrix} \mathbf{A} & \mathbf{B} \\ -\mathbf{C} & -\mathbf{D} \end{bmatrix} \\ &= \begin{bmatrix} 0 & 1 \\ 1 & 0 \end{bmatrix} \end{aligned} \quad (4.3.12)$$

In the realization of this modified A-matrix, which can be obtained by using the scheme in Figure 3.7.1, replacing the capacitor corresponding to  $u'$  by a voltage source results in the realization of the given admittance function as shown in Figure 4.3.2.

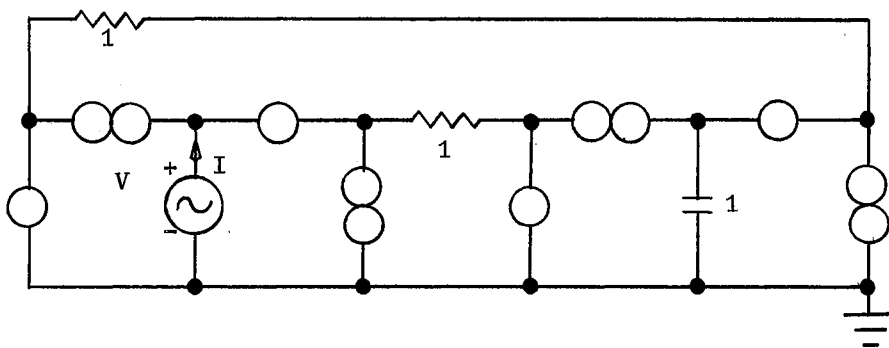


Figure 4.3.2. Example Synthesized Network

In the above discussion  $Y(s)$  is assumed to be finite when  $s$  goes to infinity. When  $Y(s)$  has a pole at infinity, then it can be written as  $Y(s) = Y'(s) + sH_r$ , where  $Y'(s)$  has no pole at infinity and  $H_r$  is a real matrix. Note that there can be only simple poles at infinity for physically realizable networks. The realization of  $Y(s)$  can be obtained by realizing  $Y'(s)$  and  $sH_r$  separately and combining the two realizations with transformer coupling. The realization of transformers can be obtained in terms of two cascaded gyrators (32) and the realization of gyrators is discussed in the next section.

#### 4.4 Synthesis of Gyrators Using State-Model Approach

The ideal gyrator is a lossless, nonreciprocal multiport device which is described by the short-circuit admittance matrix

$$Y(s) = \begin{bmatrix} 0 & G \\ -G^T & 0 \end{bmatrix} \quad (4.4.1a)$$

such that

$$\begin{bmatrix} I_1 \\ I_2 \end{bmatrix} = \begin{bmatrix} 0 & G \\ -G^T & 0 \end{bmatrix} \begin{bmatrix} V_1 \\ V_2 \end{bmatrix} \quad (4.4.1b)$$

where  $G$  is called the gyration conductance matrix.

Ideal gyrators can be used as impedance inverters; when terminated by an inductance (capacitance), a two-port gyrator can simulate a capacitance (inductance) because of its impedance inversion property. They can also be used as isolators and circulators under proper terminations and when embedded in an RC network, can give rise to complex

natural frequencies. In addition, two cascaded multiport gyrators can simulate a multiport transformer. Practically, ideal gyrators are used in microwave systems as well as at low frequencies when their transistor realizations make them significant for integrated circuit synthesis. It is known that the networks employing gyrators can be made less sensitive with respect to parameter variation compared to other active devices (28).

As a consequence, the realization of gyrators is important. Synthesis of the two-port gyrators has been extensively discussed (28) (32).

A good summary on realization of two-port gyrators is presented in (28). Some of the methods use controlled source models and then use the nullator-norator equivalent circuits for controlled sources. Here, a systematic synthesis procedure using resistors and nullator-norator pairs will be presented.

The matrix  $Y$  in Equation (4.4.1a) is a constant matrix. Therefore, as described in Section 4.3, the modified  $A$ -matrix defined in Equation (4.3.5) is

$$A' = -D = \begin{bmatrix} 0 & -G \\ G^T & 0 \end{bmatrix}. \quad (4.4.2)$$

The realization of the above modified  $A$ -matrix is illustrated in the following example.

Example 4.4.1 Consider the realization of the two-port gyrator matrix

$$Y(s) = \begin{bmatrix} 0 & g \\ -g & 0 \end{bmatrix} \quad (4.4.3)$$

where  $g$  is the gyration conductance. In this case, the  $A'$  in Equation (4.4.2) is

$$A' = \begin{bmatrix} 0 & -g \\ g & 0 \end{bmatrix}. \quad (4.4.4)$$

First, this  $A$ -matrix is considered to be an arbitrary  $A$ -matrix, and the technique developed in Section 3.7 can be applied to synthesize it. Using the scheme in Figure 3.7.1 to obtain the realization of this  $A$ -matrix, then replacing the two capacitors by voltage sources  $V_1$  and  $V_2$  gives the realization for the two-port gyrator as shown in Figure 4.4.1.

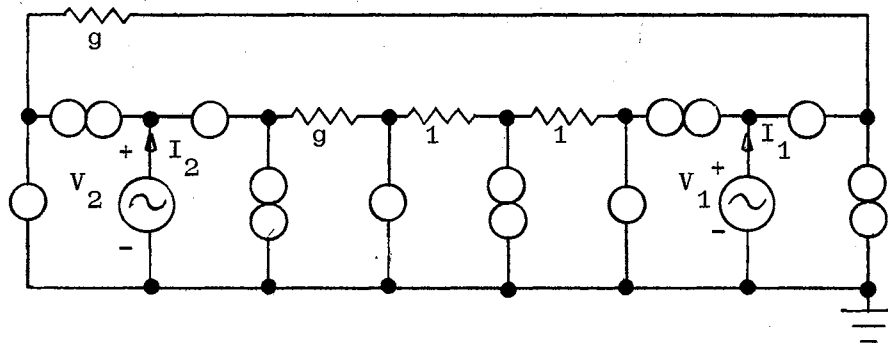


Figure 4.4.1. Synthesized Network for a Gyrator

Next, note that the matrix  $Y$  in Equation (4.4.3) is a skew-symmetric matrix, and can be considered as a tridiagonal matrix of the form shown in Equation (3.8.1). Hence, the technique developed in Section 3.8 can be applied to synthesize it. From Figure 3.8.2, with  $n = 2$ , replacing the capacitors by voltage sources as needed, the realization is shown in Figure 4.4.2, where the two conductors at both ends

as denoted by  $a_o$  and  $a_n$  in the general synthesized network of Figure 3.8.2 disappear because  $a_o = 0$  and  $a_n = 0$  from Equation (4.4.4). This coincides with one of the classical realizations (28).

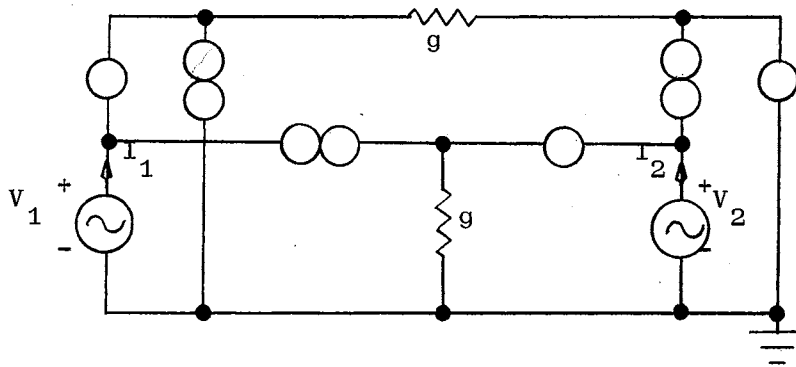


Figure 4.4.2. Another Synthesized Network for a Gyrator

It is observed that the realization in Figure 4.4.1 uses five nullator-norator pairs; whereas, the realization in Figure 4.4.2 uses only three nullator-norator pairs. Since a nullator-norator pair can be replaced by an ideal transistor, as far as the number of nullator-norator pairs used is concerned, the realization in Figure 4.4.2 is more desirable than that in Figure 4.4.1.

To illustrate the use of the equivalent nullator-norator model of an ideal transistor, two possible transistorized conversions of the realization in Figure 4.4.2 are shown in (a) and (b) of Figure 4.4.3.

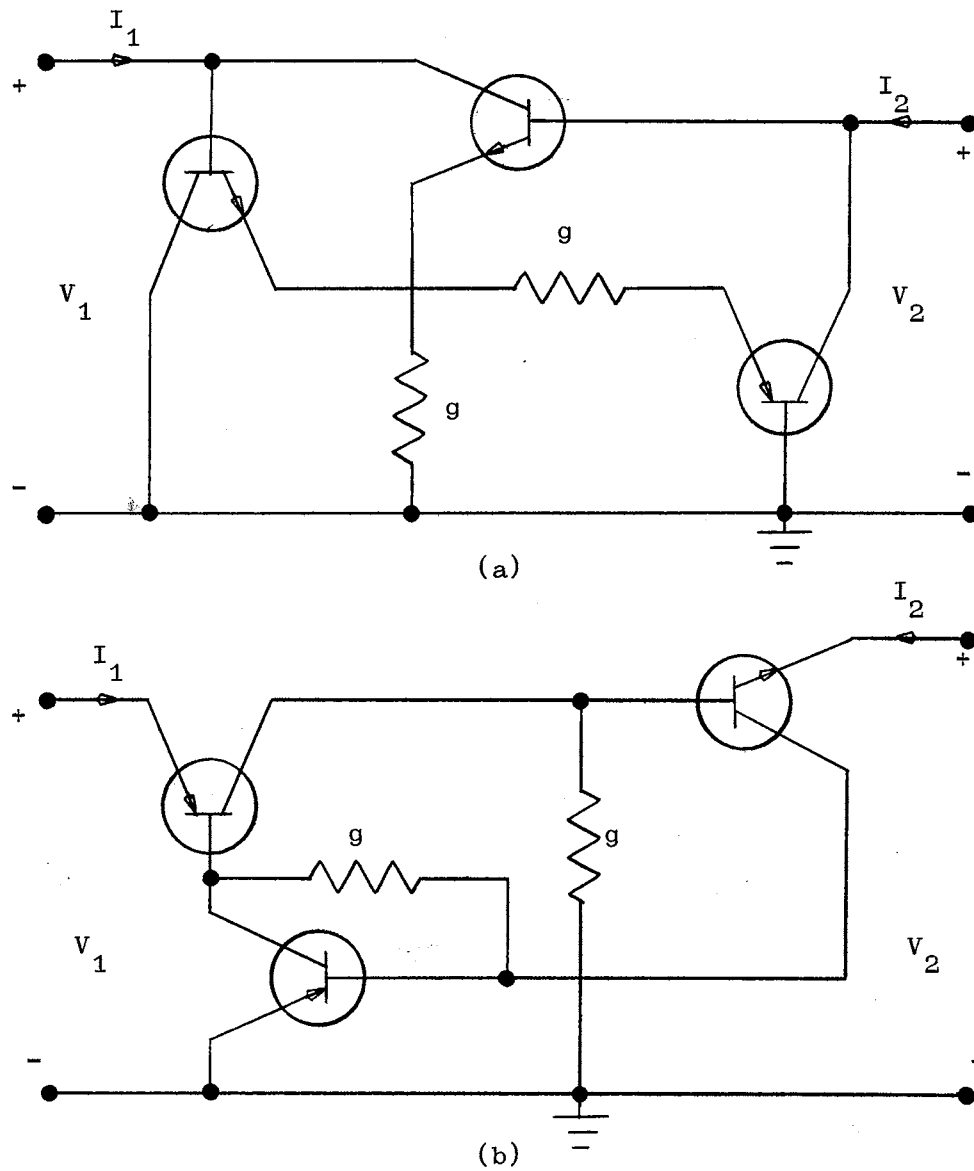


Figure 4.4.3. Equivalent Three-Transistor Realizations of Figure 4.4.2



## 4.5 Synthesis of Open-Circuit

## Impedance Matrices

The results obtained in Sections 4.3 and 4.4 can be used to realize an open-circuit impedance matrix  $\mathbf{Z}(s) = [z_{ij}(s)]$  defined by

$$\begin{bmatrix} V_1(s) \\ V_2(s) \\ \cdot \\ \cdot \\ V_n(s) \end{bmatrix} = \begin{bmatrix} z_{11} & z_{12} & \cdot & \cdot & z_{1n} \\ z_{21} & z_{22} & \cdot & \cdot & z_{2n} \\ \cdot & \cdot & \cdot & \cdot & \cdot \\ \cdot & \cdot & \cdot & \cdot & \cdot \\ z_{n1} & z_{n2} & \cdot & \cdot & z_{nn} \end{bmatrix} \begin{bmatrix} I_1(s) \\ I_2(s) \\ \cdot \\ \cdot \\ I_n(s) \end{bmatrix} \quad (4.5.1a)$$

or more compactly by

$$\mathbf{V}(s) = \mathbf{Z}(s) \mathbf{I}(s) . \quad (4.5.1b)$$

The synthesis of  $\mathbf{Z}(s)$  in Equation (4.5.1) will be achieved by first realizing this  $\mathbf{Z}(s)$  as a short-circuit admittance matrix, and then connecting the realized n-port network by n two-port gyrators (32).

In Figure 4.5.1, a multiport gyrator is shown to connect to a network  $N_t$  which is described by a short-circuit parameter equation

$$\mathbf{I}''(s) = \mathbf{Y}(s) \mathbf{V}''(s) . \quad (4.5.2)$$

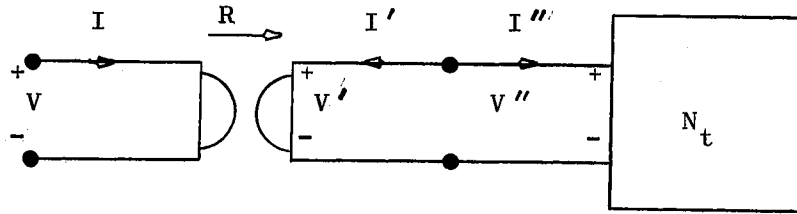


Figure 4.5.1. Block Diagram for Realizing an Open-Circuit Impedance Matrix

The multiport gyrator is described by the set of equations:

$$\begin{bmatrix} V(s) \\ V'(s) \end{bmatrix} = \begin{bmatrix} 0 & -R \\ R^T & 0 \end{bmatrix} \begin{bmatrix} I(s) \\ I'(s) \end{bmatrix} \quad (4.5.3)$$

where  $R$  is the gyration resistance matrix and will be taken as a unit matrix of order  $n$  for simplicity. By using the relationships  $V' = V''$  and  $I' = -I''$ , it is easy to derive from Equations (4.5.2) and (4.5.3) that

$$V(s) = RY(s)R^T I(s) = Y(s)I(s) \quad (4.5.4)$$

Now, comparing Equation (4.5.1b) with the above equation gives

$$Y(s) = Z(s) \quad (4.5.5)$$

The synthesis procedure developed in Section 4.3 can be applied to realize this admittance matrix.

As to the realization of the multiport gyrator corresponding to Equation (4.5.3), it is noted that Equation (4.5.3) can be decomposed into  $n$  equations, each of which describes a two-port gyrator with the gyration resistance equal to unity. Therefore, the realization of this

multiport gyrator is reduced to the realization of  $n$  two-port gyrators. The result in Example 4.4.1 of the preceding section can be used for each of these  $n$  two-port gyrators although the specification is in terms of open-circuit parameter equation here.

After connecting the  $n$  two-port gyrators to the realized network for the admittance matrix in Equation (4.5.5), the realization of the given  $\mathbf{Z}(s)$  is obtained. Note that  $\mathbf{Z}(s)$  may have a pole at infinity. The above procedure can still be applied, since the realization of an admittance matrix with a pole at infinity has been discussed.

The case of constant impedance matrix proceeds in a similar way.

The following example illustrates the synthesis of an impedance matrix.

Example 4.5.1 Consider the open-circuit impedance matrix

$$\mathbf{Z}(s) = \begin{bmatrix} 1 & 0 \\ \frac{2}{s^2 + s + 1} & 1 \end{bmatrix}. \quad (4.5.6)$$

From Equation (4.5.5),

$$\mathbf{Y}(s) = \mathbf{Z}(s) = \begin{bmatrix} 1 & 0 \\ \frac{2}{s^2 + s + 1} & 1 \end{bmatrix}. \quad (4.5.7)$$

To realize this  $\mathbf{Y}(s)$ , the state model is first derived:

$$\frac{d}{dt} \begin{bmatrix} x_1 \\ x_2 \end{bmatrix} = \begin{bmatrix} 0 & -1 \\ 1 & -1 \end{bmatrix} \begin{bmatrix} x_1 \\ x_2 \end{bmatrix} + \begin{bmatrix} 1 & 0 \\ 0 & 0 \end{bmatrix} \begin{bmatrix} u_1 \\ u_2 \end{bmatrix} \quad (4.5.8a)$$

$$\begin{bmatrix} y_1 \\ y_2 \end{bmatrix} = \begin{bmatrix} 0 & 0 \\ 0 & 2 \end{bmatrix} \begin{bmatrix} x_1 \\ x_2 \end{bmatrix} + \begin{bmatrix} 1 & 0 \\ 0 & 1 \end{bmatrix} \begin{bmatrix} u_1 \\ u_2 \end{bmatrix} \quad (4.5.8b)$$

where  $u_1$  and  $u_2$  are voltage sources, and  $y_1$  and  $y_2$  are output currents. Synthesizing this state model with the technique of Section 4.3, and then connecting two two-port gyrators in the way shown in Figure 4.5.1, the realization can be obtained. This is shown in Figure 4.5.2.

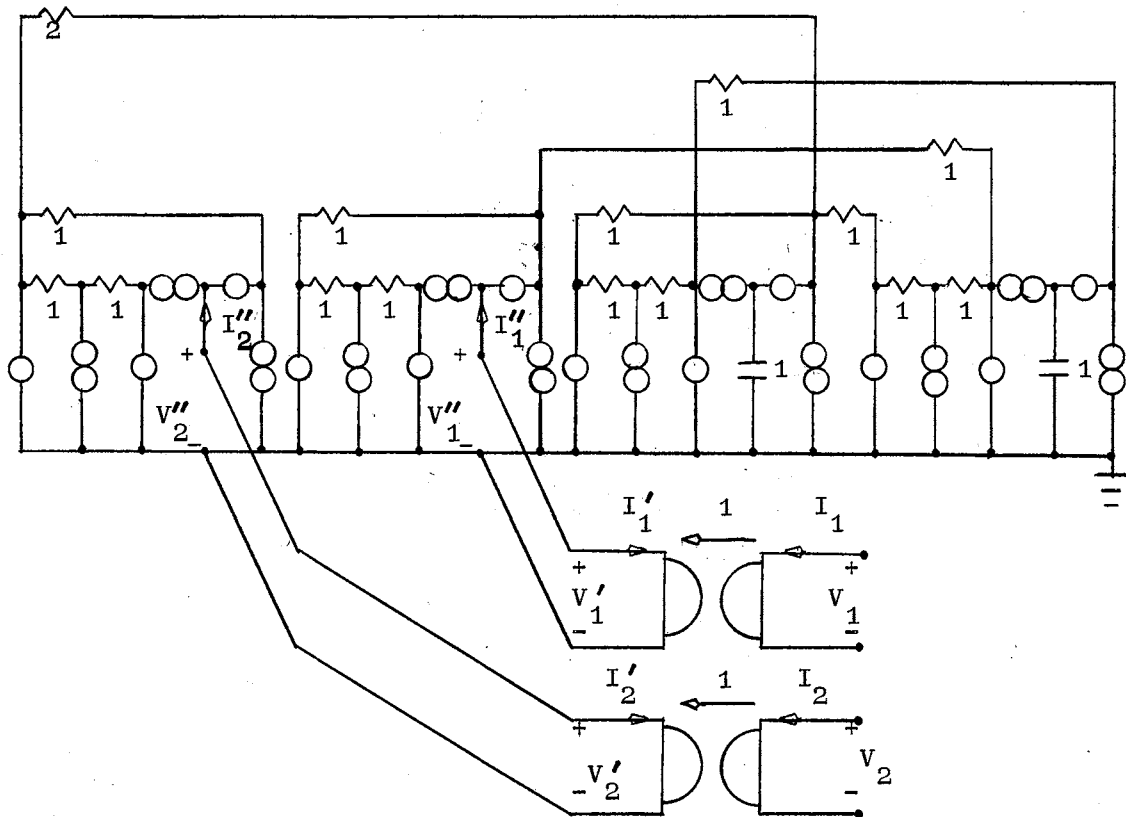


Figure 4.5.2. Example Synthesized Network

Note that if a given open-circuit impedance matrix is nonsingular, it may also be realized by first taking its inverse to obtain the short-circuit admittance matrix, then realizing the resulting admittance matrix by the technique developed earlier.

#### 4.6 Synthesis of Hybrid Matrices

Synthesis of short-circuit admittance matrices and synthesis of open-circuit impedance matrices have been discussed earlier. They will be applied here to realize a hybrid matrix  $H(s)$  defined by

$$\begin{bmatrix} V_1(s) \\ I_2(s) \end{bmatrix} = \begin{bmatrix} H_{11}(s) & H_{12}(s) \\ H_{21}(s) & H_{22}(s) \end{bmatrix} \begin{bmatrix} I_1(s) \\ V_2(s) \end{bmatrix} = H(s) \begin{bmatrix} I_1(s) \\ V_2(s) \end{bmatrix} \quad (4.6.1)$$

where  $H(s)$  may have, in general, a pole at infinity. The realization of the  $H(s)$  is considered by using two cascaded networks: one is described by an open-circuit impedance parameter equation and the other by a short-circuit admittance parameter equation, both of which are derived from Equation (4.6.1). Derivation of an impedance matrix and an admittance matrix from the hybrid matrix  $H(s)$  is not unique; there are many solutions. One is given by

$$\begin{bmatrix} V_1(s) \\ V_3(s) \end{bmatrix} = \begin{bmatrix} Z_{11}(s) & Z_{13}(s) \\ Z_{31}(s) & Z_{33}(s) \end{bmatrix} \begin{bmatrix} I_1(s) \\ I_3(s) \end{bmatrix} = Z(s) \begin{bmatrix} I_1(s) \\ I_3(s) \end{bmatrix} \quad (4.6.2a)$$

and

$$\begin{bmatrix} I_4(s) \\ I_2(s) \end{bmatrix} = \begin{bmatrix} Y_{44}(s) & Y_{42}(s) \\ Y_{24}(s) & Y_{22}(s) \end{bmatrix} \begin{bmatrix} V_4(s) \\ V_2(s) \end{bmatrix} = Y(s) \begin{bmatrix} V_4(s) \\ V_2(s) \end{bmatrix} \quad (4.6.2b)$$

with

$$\begin{aligned}
 V_3(s) &= V_4(s) \\
 I_3(s) &= -I_4(s) \\
 Y_{44}(s) &= 0 \\
 Z_{33}(s) &= 0 \\
 Z_{11}(s) &= H_{11}(s) \\
 -Z_{13}(s)Y_{42}(s) &= H_{12}(s) \\
 Y_{24}(s)Z_{31}(s) &= H_{21}(s) \\
 Y_{22}(s) &= H_{22}(s) .
 \end{aligned} \tag{4.6.3}$$

From Equation (4.6.3), the  $Z_{ij}$ 's and  $Y_{ij}$ 's in Equation (4.6.2) can be found. Of course, they are not unique.

Realizing, respectively, the open-circuit impedance matrix  $Z(s)$  and the short-circuit admittance matrix  $Y(s)$  in Equation (4.6.2) by applying the techniques developed previously, and then cascading the two realized networks with  $V_3(s) = V_4(s)$  and  $I_3(s) = -I_4(s)$  yields the realization of the hybrid matrix  $H(s)$ .

The cases for hybrid matrices in g-parameters follows in a similar way.

The following example illustrates the synthesis procedure.

Example 4.6.1 Consider the constant hybrid matrix  $H$  in the equation

$$\begin{bmatrix} V_1 \\ I_2 \end{bmatrix} = \begin{bmatrix} v_{11} \\ v_{12} \\ i_{21} \\ i_{22} \end{bmatrix} = \begin{bmatrix} 0 & -1 & 2 & -1 \\ 1 & -2 & 4 & -2 \\ 3 & 0 & 0 & 0 \\ 0 & 0 & 0 & -1 \end{bmatrix} \begin{bmatrix} i_{11} \\ i_{12} \\ v_{21} \\ v_{22} \end{bmatrix} = \begin{bmatrix} H_{11} & H_{12} \\ H_{21} & H_{22} \end{bmatrix} \begin{bmatrix} I_1 \\ V_2 \end{bmatrix} .$$

(4.6.4)

From this equation, a pair of z-parameters equation and y-parameter equation corresponding to Equations (4.6.2a) and (4.6.2b), respectively, can be determined by the use of Equation (4.6.3). There are many such pairs. One is given by

$$\begin{bmatrix} v_{11} \\ v_{12} \\ \hline v_3 \end{bmatrix} = \begin{bmatrix} 0 & -1 & -1 \\ 1 & -2 & -2 \\ \hline -1 & 0 & 0 \end{bmatrix} \begin{bmatrix} i_{11} \\ i_{12} \\ \hline i_3 \end{bmatrix} \quad (4.6.5a)$$

and

$$\begin{bmatrix} i_{44} \\ \hline i_{21} \\ i_{22} \end{bmatrix} = \begin{bmatrix} 0 & 2 & -1 \\ -3 & 0 & 0 \\ \hline 0 & 0 & -1 \end{bmatrix} \begin{bmatrix} v_{44} \\ \hline v_{21} \\ v_{22} \end{bmatrix} \quad (4.6.5b)$$

The constant impedance matrix and constant admittance matrix in Equation (4.6.5) are then realized by the techniques of Sections 4.5 and 4.3, respectively. Cascading these two realized networks with  $v_3 = v_4$  and  $i_3 = -i_4$  gives the realization of the hybrid matrix H in Equation (4.6.4) as shown in Figure 4.6.1.

#### 4.7 Synthesis of Voltage and Current

##### Transfer-Function Matrices

State-model synthesis discussed in the previous sections can be applied to synthesize a voltage or current transfer-function matrix. To realize such a matrix, a state model is first derived. Then the realization of the given voltage or current transfer-function matrix is achieved by realizing the set of matrices  $\{A, B, C, D\}$  in the state model according to the discussion in Section 4.2.

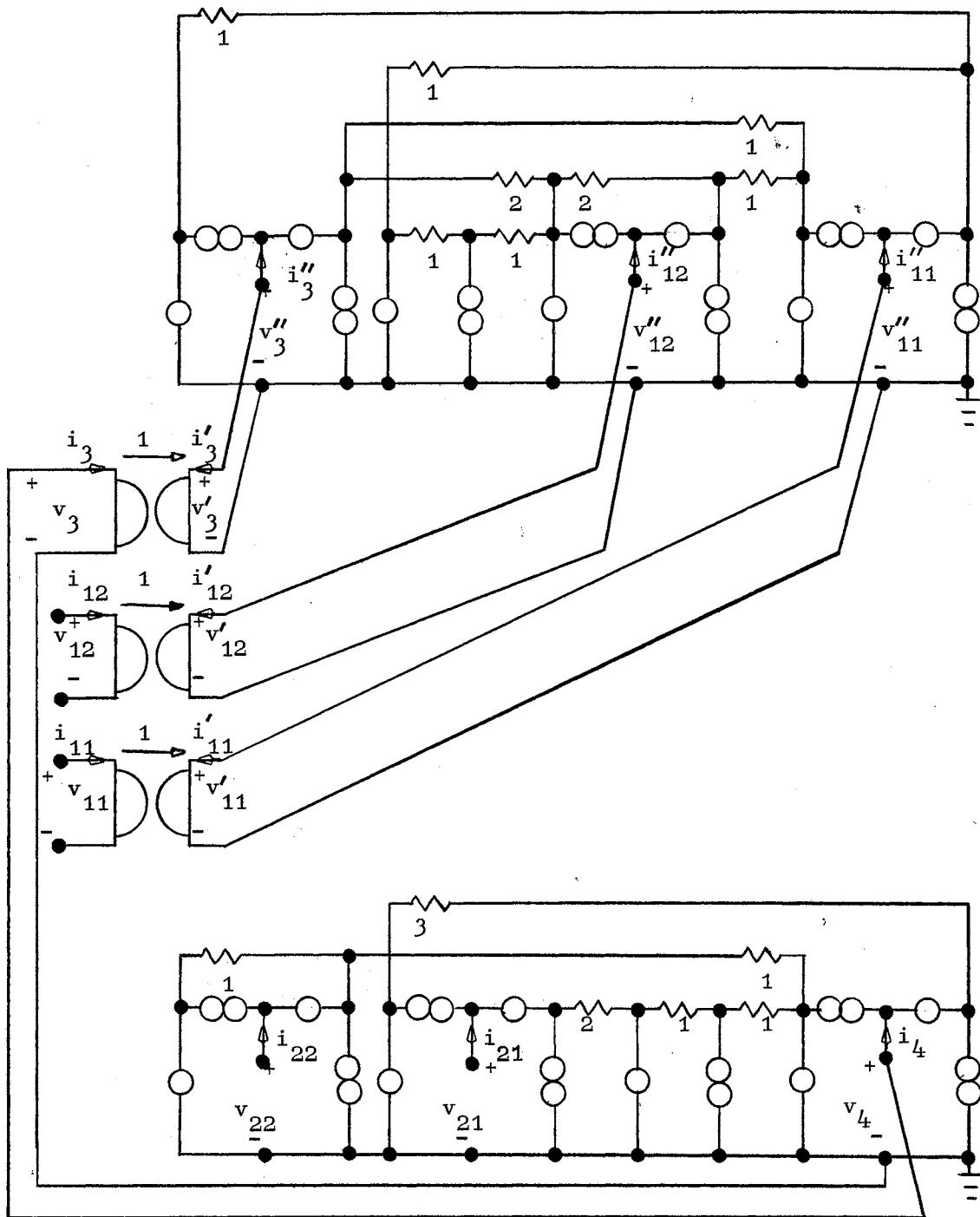


Figure 4.6.1. Example Synthesized Network



It is illustrated in the following example.

Example 4.7.1 Consider the voltage transfer-function matrix

$$T_v(s) = \begin{bmatrix} \frac{1}{s+1} \\ \frac{1}{(s+1)(s+2)} \end{bmatrix}. \quad (4.7.1)$$

The state model corresponding to this matrix can be found as

$$\frac{d}{dt} \begin{bmatrix} x_1 \\ x_2 \end{bmatrix} = \begin{bmatrix} -1 & 0 \\ 1 & -2 \end{bmatrix} \begin{bmatrix} x_1 \\ x_2 \end{bmatrix} + \begin{bmatrix} 1 \\ 0 \end{bmatrix} u \quad (4.7.2a)$$

$$\begin{bmatrix} y_1 \\ y_2 \end{bmatrix} = \begin{bmatrix} 1 & 0 \\ 0 & 1 \end{bmatrix} \begin{bmatrix} x_1 \\ x_2 \end{bmatrix} \quad (4.7.2b)$$

where  $u$  is the input voltage source, and  $y_1$  and  $y_2$  are the output voltages.

Realizing the A-matrix in Equation (4.7.2a), then incorporating the source and obtaining the output by using Equation (4.7.2b), yields the realization of the state model in Equation (4.7.2) as shown in Figure 4.7.1, which is equivalent to the realization of the voltage transfer-function matrix in Equation (4.7.1).

For the case of current transfer-function matrices, various kinds of controlled sources using nullator-norator circuits may be required in the realization as discussed in Section 4.2.

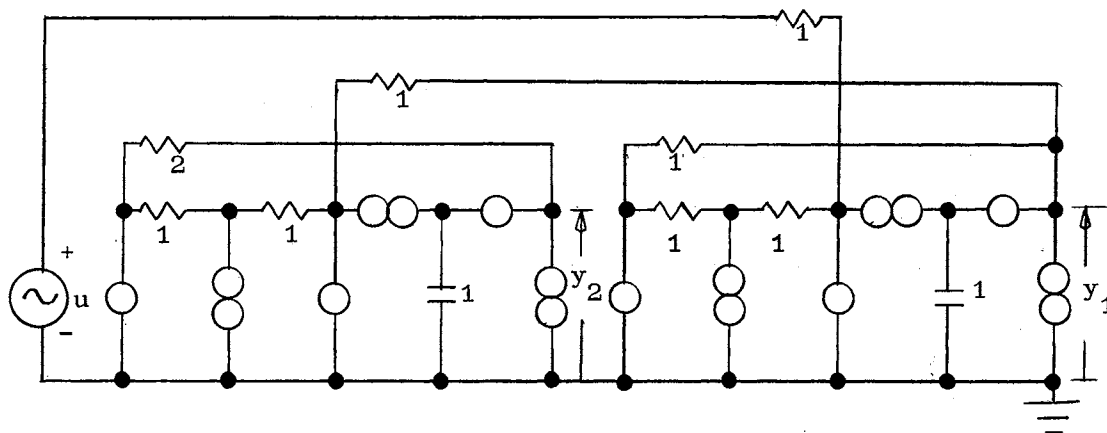


Figure 4.7.1. Example Synthesized Network

## CHAPTER V

### SYNTHESIS OF LOW-PASS FILTERS

#### 5.1 Introduction

In Chapter III, the synthesis of a tridiagonal A-matrix was discussed. It has been recognized that tridiagonal matrices are related to ladder networks (25) such as low-pass filters. Indeed, if a transfer function corresponding to the realized network for a tridiagonal A-matrix is derived, it will fall into the class of transfer functions of ladder networks. This fact will be used in the synthesis of low-pass filters with networks containing nullators and norators in the present chapter. The related topic of prescribed source and load resistance in doubly terminated low-pass filters will also be discussed.

#### 5.2 Transfer Functions of Low-Pass Filters

The class of low-pass filter transfer functions with all the zeros lying at infinity is of much interest. An example of such functions is given by

$$Y_{21}(s) = \frac{I_2(s)}{V_1(s)} = \frac{p_o}{D_n(s)}, \quad D_n(s) = s^n + d_{n-1}s^{n-1} + \dots + d_o, \quad p_o > 0 \quad (5.2.1)$$

where the input variable and output variable are defined in Figure 5.2.1 with  $R_1$  and  $R_2$  representing resistances in ohms. These functions are

important because they do correspond to the low-pass filters such as Butterworth, Chebyshev, etc. The synthesis of such functions by doubly terminated ladder networks has been extensively discussed (37).

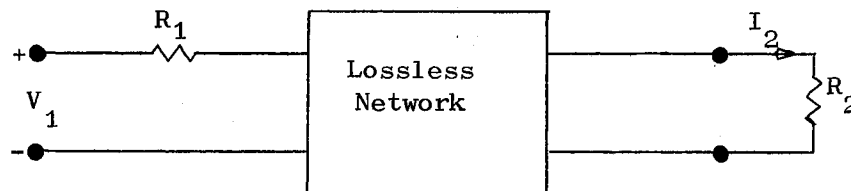


Figure 5.2.1. Network Configuration  
for  $Y_{21}(s)$

Synthesis of transfer functions has been considered in Section 4.2, where the realization of the characteristic polynomial of a transfer function is achieved by synthesizing the corresponding A-matrix in companion matrix form. The transfer function in Equation (5.2.1) can be synthesized employing the techniques discussed in that section. However, as pointed out in Section 3.9, for the same characteristic polynomial, the realization of the corresponding tridiagonal A-matrix uses fewer number of nullator-norator pairs than that of the corresponding A-matrix in companion matrix form. Hence, a synthesis procedure which makes use of the realization of a tridiagonal A-matrix is presented below.

First, a brief review of the realization of a tridiagonal A-matrix in Chapter III and its relation to classical low-pass ladder networks is given. The synthesis of a tridiagonal A-matrix of the form shown in

Equation (3.8.1) was discussed in Section 3.8. The realized networks were shown in Figure 3.8.2 for  $n$  even and Figure 3.8.4 for  $n$  odd, where  $n$  represents the order of the tridiagonal  $A$ -matrix. It will be demonstrated qualitatively that the network shown in Figure 3.8.2 or 3.8.4 is equivalent to a classical low-pass ladder network.

The general form of an RLC low-pass ladder network is a lossless network terminated in resistance at both ends such as the one shown in Figure 5.2.1. The lossless network has shunt capacitance branches and series inductance branches. If every inductor of this lossless network is replaced by the grounded-gyrator equivalence (32) which, in turn, is replaced by the equivalent nullator-norator model obtained in Figure 4.4.2, the resulting network will have the same configuration as Figure 3.8.2 or 3.8.4, depending on  $n$  being even or odd, respectively.

When introducing a source, voltage source or current source, to the network realizing a tridiagonal  $A$ -matrix and specifying the output, it can be shown that the transfer function does correspond to a low-pass filter transfer function. This will be described in the following.

#### 5.2.1 Case I

For this case, the source is a current source and the output is a voltage as shown in Figure 5.2.2, where the realization of the tridiagonal  $A$ -matrix in Figure 3.8.2 with  $n$  even is used. The current source is incorporated across the conductor  $a_0$ , and the output is taken from the conductor  $a_n$ .

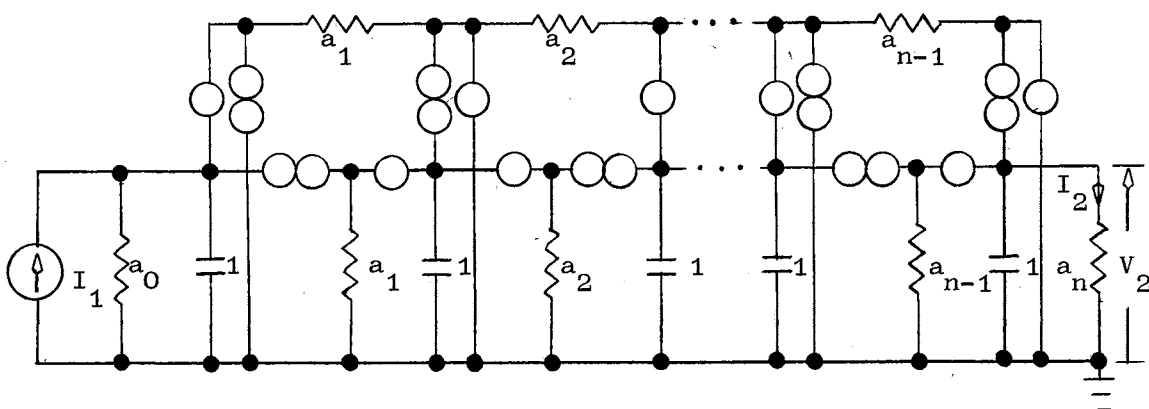


Figure 5.2.2. Network for Determining the Transfer Function

The transfer function is to be derived by using the state-model approach. Since the above network satisfies Conditions (i) and (ii) of Theorem 2.2.1, and furthermore all the capacitors can be selected in the branches and all the conductors (resistors) can be selected in the chords for both  $T_1$  and  $T_2$ , the state equation can be obtained directly by using the general state equation derived in Equation (2.3.15) with the simplification that  $V_v = 0$ ,  $C_c = 0$  and  $R_b = 0$ , and is

$$\frac{d}{dt} V_{bc} = (C_b^{-1} C_{22} G_c B_{22}) V_{bc} + (-C_b^{-1} C_{25}) I_1 \quad (5.2.2)$$

where the symbols are as defined in Chapter II. Note that in Equation (5.2.2),  $C_b$  has been assumed to be a unit matrix for simplicity in Chapter III and therefore Equation (5.2.2) reduces to

$$\frac{d}{dt} V_{bc} = (C_{22} G_c B_{22}) V_{bc} + (-C_{25}) I_1. \quad (5.2.3)$$

By inspection of Figure 5.2.2, the output equation is

$$V_2 = P_1 V_{bc} \quad (5.2.4)$$



is constructed to calculate  $C_{22}$ ,  $C_{25}$ , and  $B_{22}$ , the matrix  $A_1$  may be of a form with different sign distribution from that in Equation (5.2.7), but having the same characteristic polynomial as  $D_n(s)$ .

In Equation (5.2.6) when  $V_2/I_1$  is negative, it means that the orientation of the output  $V_2$  is opposite to that as assumed in Figure 5.2.2.

Now, by introducing a current source in the network of Figure 3.8.4, if the same procedure as above is followed, the transfer function can be derived as

$$\frac{V_2}{I_1} = \frac{(-1)^{(n-1)/2} \prod_{i=1}^{n-1} a_i}{D_n(s)}, \quad D_n(s) = |sU - A_1|, \quad n - \text{odd} \quad (5.2.8)$$

where  $A_1$  is defined in Equation (5.2.7) with  $n$  odd.

### 5.2.2 Case II

In this case, the network has a current source and a current output, and the network configuration shown in Figure 5.2.2 can also be used for  $n$  even. By making use of the result in Equation (5.2.6), the transfer function for this case is derived as

$$\frac{I_2}{I_1} = \frac{a_n V_2}{I_1} = \frac{(-1)^{(n/2+1)} \prod_{i=1}^n a_i}{D_n(s)}, \quad D_n(s) = |sU - A_1|, \quad n - \text{even}. \quad (5.2.9)$$



Similarly, using Equation (5.2.8) for  $n$  odd, it results in

$$\frac{I_2}{I_1} = \frac{a_n V_2}{I_1}$$

$$= \frac{(-1)^{(n-1)/2} \prod_{i=1}^n a_i}{D_n(s)}, \quad D_n(s) = |sU - A_1|, \quad n - \text{odd.} \quad (5.2.10)$$

### 5.2.3 Case III

For this case, the source is a voltage source and the output is a voltage. In order to use the results derived in Case I, the network configuration for this case will be obtained by applying the Thevenin's theorem to Figure 5.2.2. It is shown in Figure 5.2.3 for  $n$  even.

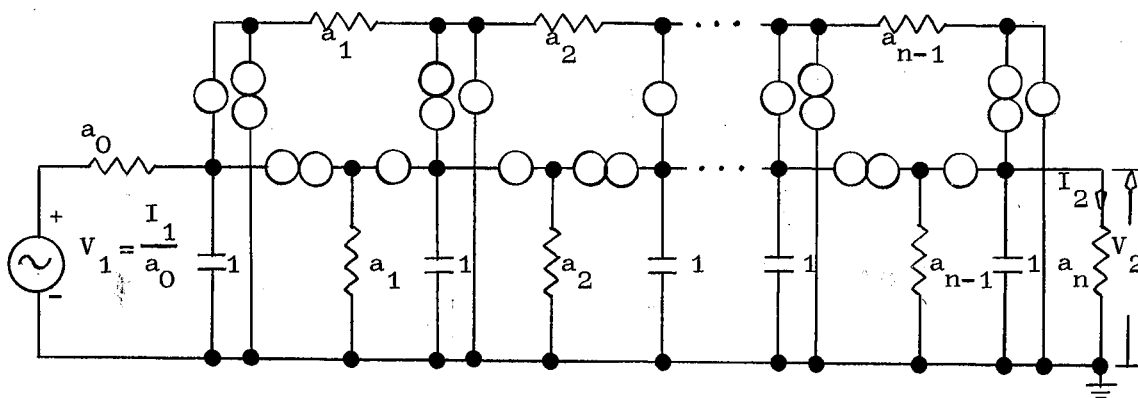


Figure 5.2.3. Network for Determining the Transfer Function

Then, the transfer function for n even is

$$\begin{aligned} \frac{V_2}{V_1} &= \frac{V_2}{I_1/a_0} \\ &= \frac{a_0 V_2}{I_1} \\ &= \frac{(-1)^{(n/2+1)} \prod_{i=0}^{n-1} a_i}{D_n(s)}, \quad D_n(s) = |sU - A_1|, \quad n - \text{even.} \quad (5.2.11) \end{aligned}$$

In a similar way, the transfer function for n odd is

$$\begin{aligned} \frac{V_2}{V_1} &= \frac{a_0 V_2}{I_1} \\ &= \frac{(-1)^{(n-1)/2} \prod_{i=0}^{n-1} a_i}{D_n(s)}, \quad D_n(s) = |sU - A_1|, \quad n - \text{odd.} \quad (5.2.12) \end{aligned}$$

#### 5.2.4 Case IV

For this case the source is a voltage source and the output is a current with the same network configuration as shown in Figure 5.2.3 for n even. From this network, the transfer function is

$$\begin{aligned} \frac{I_2}{V_1} &= \frac{a_n V_2}{I_1/a_0} \\ &= \frac{a_0 a_n V_2}{I_1} \end{aligned}$$

$$= \frac{(-1)^{n/2+1} \prod_{i=0}^n a_i}{D_n(s)}, \quad D_n(s) = |sU - A_1|, \quad n - \text{even.} \quad (5.2.13)$$

Similarly, when  $n$  is odd the transfer function is

$$\frac{I_2}{V_1} = \frac{a_0 a_n V_2}{I_1}$$

$$= \frac{(-1)^{(n-1)/2} \prod_{i=0}^n a_i}{D_n(s)}, \quad D_n(s) = |sU - A_1|, \quad n - \text{odd.} \quad (5.2.14)$$

The above transfer functions will be used in the synthesis of low-pass filters in the next section.

### 5.3 Synthesis of Low-Pass Filters

Topology of the low-pass filters has already been derived. What remains to do is to calculate its element values for a given transfer function. As a matter of fact only conductor element values need to be determined.

The transfer functions derived in Equations (5.2.6), (5.2.8), (5.2.9), (5.2.10), (5.2.11), (5.2.12), (5.2.13), and (5.2.14) will be used to find the element value of every conductor in the low-pass filter. To achieve this, the steps below will be taken, and the details will be discussed following these steps.

- (1) Draw the appropriate network configuration discussed in the preceding section, corresponding to the type of the given transfer function.



given in Subsection 5.4.1. For each constant  $c, 0 < c \leq \alpha, \alpha = \min \{|D_n(j\omega)|^2, 0 \leq \omega < \infty\}$ , there is a tridiagonal A-matrix such as  $A_s$  in Equation (5.3.1). Choose any one. The network at this stage is shown in Figure 5.3.1 which uses the fundamental blocks of Figure 3.8.7, since for this case the two entries  $a_{ij}$  and  $a_{ji}, j = i + 1, i = 1, 2, \dots, (n-1)$ , are not equal.

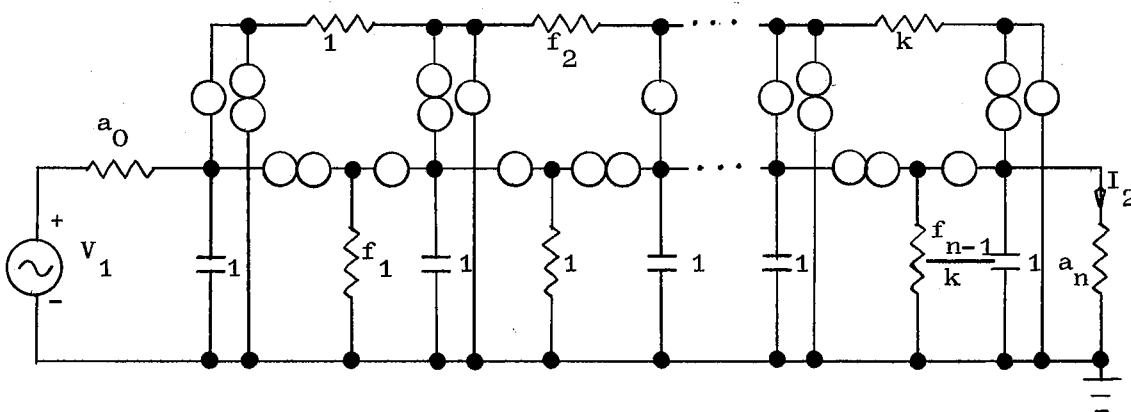


Figure 5.3.1. Network for Synthesizing a Transfer Function

Comparing the numerator constant of the given transfer function in Equation (5.2.1) with that in Equation (5.2.13), disregarding the sign, yields

$$P_o = \prod_{i=0}^n a_i \tag{5.3.3}$$

where as pointed out earlier, the  $a_i, i = 1, 2, \dots, (n-2), (n-1)$  are from the lower off-diagonal entries in Equation (5.2.7). Therefore,

from Equation (5.3.1),  $a_i = 1$ ,  $i = 1, 2, \dots, (n-2)$ , and  $a_{n-1} = k$ . It follows from Equation (5.3.3) that

$$p_o = a_o k a_n \quad (5.3.4)$$

and thus

$$k = \frac{p_o}{a_o a_n} .$$

By inserting the value of  $k$  above into Figure 5.3.1, the synthesized network will be obtained.

A numerical example is given below to illustrate the procedure.

Example 5.3.1 Suppose that it is desired to realize the transfer function

$$Z_{21}(s) = \frac{V_2}{I_1} = \frac{6}{s^4 + 7s^3 + 39s^2 + 115s + 154} . \quad (5.3.5)$$

This is a Case I transfer function, and the network in Figure 5.2.2 will be used. By Navot's method, a tridiagonal A-matrix can be derived as

$$A_e = \begin{bmatrix} -2 & 4 & 0 & 0 \\ -1 & 0 & 9 & 0 \\ 0 & -1 & 0 & \frac{16}{k} \\ 0 & 0 & -k & -5 \end{bmatrix} . \quad (5.3.6)$$

From Equation (5.2.6) with  $n = 4$ , the numerator constant is  $(-a_1 a_2 a_3)$  where the negative sign means that the output voltage has a polarity opposite to that assumed. Equating the absolute value of this to the numerator constant of the given transfer function in Equation (5.3.5) gives

$$a_1 a_2 a_3 = 6$$

where, from Equation (5.3.6),  $a_1 = 1$ , and  $a_2 = 1$ , and  $a_3 = k$ . It follows that

$$k = 6.$$

By using the general network in Figure 5.2.2 with  $n = 4$ , and using the fundamental blocks of Figure 3.8.7 for determining the conductance element values, the realization is obtained as shown in Figure 5.3.2.

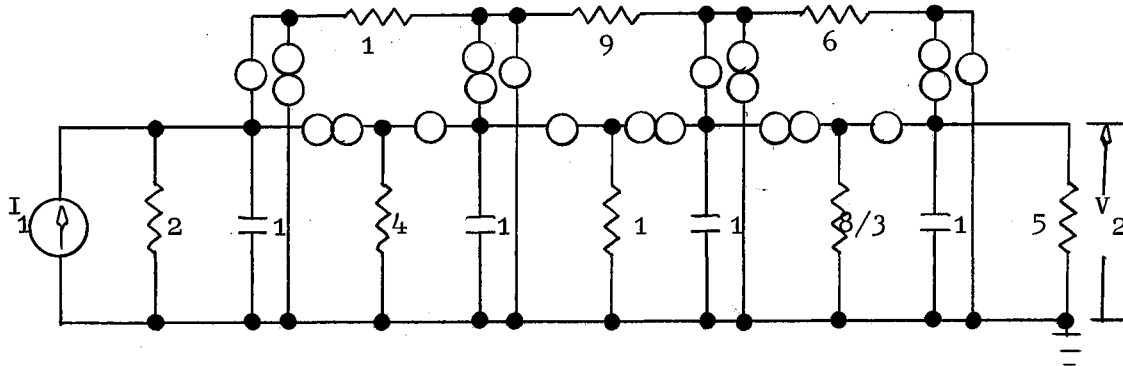


Figure 5.3.2. Example Synthesized Network

It should be noted that in classical RLC low-pass filter synthesis, there is a constraint on the numerator constant of the transfer function (20); whereas, in the present case, there is no such constraint because active elements are used in the realization.

In the design of classical RLC doubly terminated low-pass filters, it is not uncommon that in addition to the transfer function, both the

source resistance and load resistance are prescribed. This will be considered in the next section.

#### 5.4 Synthesis of RLC Low-Pass Filters With Prescribed Source and Load Resistance

In this section, a constant,  $c$ , which ensures the realized RLC doubly terminated low-pass ladder network has the prescribed source and load resistance is given. This constant arises from Navot's method of deriving a tridiagonal matrix from a strictly Hurwitz polynomial and is expressed in terms of terminating resistances. Thus, the synthesis of RLC low-pass ladder network with prescribed terminating resistances, which uses a tridiagonal matrix, can be worked out in a straightforward manner.

In a recent paper, Fowler and Yarlagadda (20) presented a transfer function synthesis procedure using state-space approach. Given a transfer function as in Equation (5.2.1), their synthesis procedure yields several sets of element values for the realized ladder network. Each set of the element values corresponds to a parameter  $c$ , where

$$0 < c \leq \alpha, \quad \alpha = \min \{ |D_n(j\omega)|^2, 0 \leq \omega < \infty \}. \quad (5.4.1)$$

Note that the  $D_n(s)$  is assumed to be a strictly Hurwitz polynomial. It is the purpose of the following discussions to derive a value of  $c$  such that the realized network has the prescribed terminating resistances. It is shown that this  $c$  is related to the transmission coefficient  $t(s)$  which is used in the classical network synthesis.





is obtained such that

$$\begin{aligned}
 |sU - K_t| &= D_n(s) \\
 &= s^n + (f_o + f_n) s^{n-1} + \left( \sum_{j=1}^{n-1} f_j + f_o f_n \right) s^{n-2} + \dots + \left( \prod_{k=1}^{n/2} f_{2k-1} + \prod_{l=0}^{n/2} f_{2l} \right).
 \end{aligned}
 \tag{5.4.6}$$

By a simple approach, a ladder network shown in Figure 5.4.1, with  $m + r = n$ ,  $m = r = n/2$ , is derived when  $n$  is even where  $R_1$  and  $R_2$  are resistances in ohms.

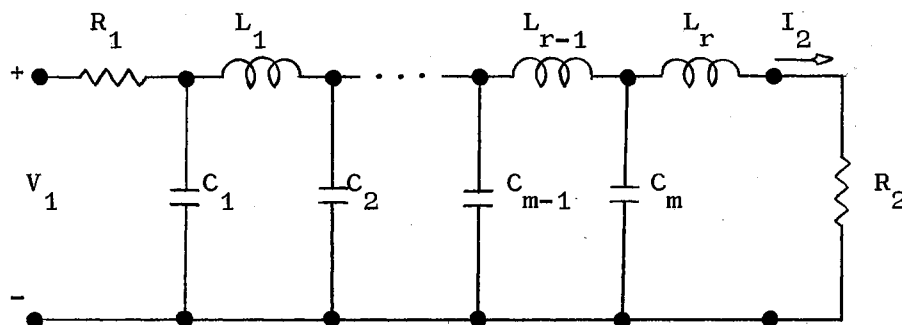


Figure 5.4.1. Ladder Network With  $n$  Even

The element values of this ladder network are related to  $f_i$  by the following equations (20):

$$f_o = (R_1 C_1)^{-1}, f_n = R_2 L_r^{-1}, f_1 = (C_1 L_1)^{-1}, f_2 = (C_2 L_1)^{-1}$$

$$f_3 = (C_2 L_2)^{-1}, \dots, f_{n-2} = (C_m L_{r-1})^{-1}, f_{n-1} = (C_m L_r)^{-1}.$$

(5.4.7)

When  $n$  is odd, the network in Figure 5.4.1 can be used with  $L_r = 0$ ,  $m + r - 1 = n$ ,  $m = r = (n+1)/2$ . The element values are related to  $f_i$  by

$$f_0 = (R_1 C_1)^{-1}, f_n = (R_2 C_m)^{-1}, f_1 = (C_1 L_1)^{-1}, f_2 = (C_2 L_1)^{-1} \quad (5.4.8)$$

$$f_3 = (C_2 L_2)^{-1}, \dots, f_{n-2} = (C_{m-1} L_{r-1})^{-1}, f_{n-1} = (C_m L_{r-1})^{-1}.$$

For both cases,  $n$  even and odd, there are  $(n+1)$  equations with  $(n+2)$  unknowns. In addition to these equations, there is another constraint, that is

$$\frac{1}{R_1 + R_2} = \frac{P_0}{d_0} \quad (5.4.9)$$

which is obtained by considering  $s = 0$  in the network shown in Figure 5.4.1 and in Equation (5.2.1). Hence, the element values can be solved from Equations (5.4.7) and (5.4.9) or from Equations (5.4.8) and (5.4.9) in a simple manner (20).

Note that the element values are not unique. For each  $c$  satisfying Equation (5.4.1), there exists a particular set of source and load resistance.

#### 5.4.2 Derivation of $c$

A short-circuit transfer admittance function in Equation (5.2.1) is given with  $n$  even and it is desired to find a  $c$  satisfying Equation (5.4.1) such that the realized doubly terminated ladder network has

prescribed source and load resistance which satisfy Equation (5.4.9). Further, it is assumed that neither of these two resistances is identically zero.

Equations (5.4.2), (5.4.3), (5.4.4), and (5.4.6) are used to solve for  $c$ . Substituting  $D_n(s)$  from Equation (5.4.6) and  $G_n(s)$  from Equation (5.4.2) in Equation (5.4.4) and simplifying, the following equation results.

$$s^{n-1} + \frac{\sum_{j=1}^{n-1} f_j + f_0 f_n - g_{n-2}}{f_0 + f_n - g_{n-1}} s^{n-2} + \dots + \frac{\prod_{k=1}^{n/2} f_{2k-1} + \prod_{l=0}^{n/2} f_{2l} g_0}{f_0 + f_n - g_{n-1}}$$

$$= s^{n-1} + f_n s^{n-2} + \dots + \prod_{p=1}^{n/2} f_{2p} . \quad (5.4.10)$$

Equating the corresponding coefficients in Equation (5.4.10) results in  $(n-1)$  equations. Two of these are

$$\frac{\sum_{j=1}^{n-1} f_j + f_0 f_n - g_{n-2}}{f_0 + f_n - g_{n-1}} = f_n \quad (5.4.11)$$

and

$$\frac{\prod_{k=1}^{n/2} f_{2k-1} + \prod_{l=0}^{n/2} f_{2l} g_0}{f_0 + f_n - g_{n-1}} = \prod_{p=1}^{n/2} f_{2p} . \quad (5.4.12)$$

In addition, since

$$D_n(s)D_n(-s) = s^{2n} + [2(\sum_{j=1}^{n-1} f_j + f_0 f_n) - (f_0 + f_n)^2] s^{2(n-1)} + \dots$$

$$+ (\prod_{k=1}^{n/2} f_{2k-1} + \prod_{l=0}^{n/2} f_{2l})^2 \quad (5.4.13)$$

and

$$G_n(s)G_n(-s) = s^{2n} + (2g_{n-2} - g_{n-1}^2) s^{2(n-1)} + \dots + g_0^2. \quad (5.4.14)$$

Equation (5.4.3) yields  $n$  equations by comparing the corresponding coefficients. Two of these are

$$2(\sum_{j=1}^{n-1} f_j + f_0 f_n) - (f_0 + f_n)^2 - 2g_{n-2} + g_{n-1}^2 = 0 \quad (5.4.15)$$

and

$$c = (\prod_{k=1}^{n/2} f_{2k-1} + \prod_{l=0}^{n/2} f_{2l})^2 - g_0^2. \quad (5.4.16)$$

Equations (5.4.11), (5.4.12), (5.4.15), and (5.4.16) are sufficient to solve for  $c$ . In the above discussion, only two equations are considered in each case when comparing the coefficients. If these equations are satisfied, then the remaining equations will be automatically satisfied. From Equations (5.4.11), (5.4.12), and (5.4.16), it follows that

$$g_{n-1} = f_n - f_0 \quad (5.4.17)$$

and

$$g_o = \prod_{k=1}^{n/2} f_{2k-1} - \prod_{l=0}^{n/2} f_{2l} \quad (5.4.18)$$

Substituting Equation (5.4.18) in Equation (5.4.16) results in

$$c = 4 \left( \prod_{k=1}^{n/2} f_{2k-1} \right) \left( \prod_{l=0}^{n/2} f_{2l} \right) = 4 \prod_{i=0}^n f_i \quad (5.4.19)$$

By using the expressions for  $f_i$  from Equation (5.4.7), Equation (5.4.19) becomes

$$c = \frac{4R_2}{R_1 \left( \prod_{i=1}^m C_i \right)^2 \left( \prod_{j=1}^r L_j \right)^2} \quad (5.4.20)$$

The numerator constant  $p_o$  in Equation (5.2.1) is related to the element values by

$$p_o = \frac{1}{R_1 \left( \prod_{i=1}^m C_i \right) \left( \prod_{j=1}^r L_j \right)} \quad (5.4.21)$$

Substituting Equation (5.4.21) in Equation (5.4.20) gives

$$c = 4p_o^2 R_1 R_2 \quad (5.4.22)$$

When  $n$  is odd, the values for  $c$  and  $p_o$  in terms of the element values are

$$c = \frac{4}{R_1 R_2 \left( \prod_{i=1}^m C_i \right)^2 \left( \prod_{j=1}^{r-1} L_j \right)^2}, \quad p_o = \frac{1}{R_1 R_2 \left( \prod_{i=1}^m C_i \right) \left( \prod_{j=1}^{r-1} L_j \right)}. \quad (5.4.23)$$

From these,  $c$  can be derived for  $n$  odd, in terms of  $p_o$ ,  $R_1$ , and  $R_2$  and the expression is the same as the one in Equation (5.4.22).

Note that the resistances  $R_1$  and  $R_2$  appear together as a sum in Equation (5.4.9) and as a product in Equation (5.4.22). Therefore, in some cases, the realized network may have source and load resistance interchanged. In these cases, it is a simple matter to obtain the correct source and load resistance by using the reciprocity theorem.

If  $p_o/D_n(s)$  in Equation (5.2.1) is a transfer impedance function  $Z_{21}(s)$ , or a voltage-ratio transfer function  $T_{21}(s)$ , then by a procedure similar to above,  $c$  is given, respectively, by

$$c = \frac{4p_o^2}{R_1 R_2} \quad (5.4.24)$$

or

$$c = \frac{4p_o^2 R_1}{R_2}. \quad (5.4.25)$$

Note that  $c$  in Equations (5.4.22), (5.4.24), and (5.4.25) must satisfy Equation (5.4.1). It can be shown that this is always true if  $D_n(s)$  is a polynomial with  $\alpha$  occurring at  $\omega = 0$ , such as the Butterworth, the Bessel polynomial, and the Chebyshev polynomial for  $n$  odd. Furthermore, this  $c$  is related to the transmission coefficient  $t(s)$  which is

used to derive the synthesis procedure in the classical network synthesis. The relation is

$$|t(j\omega)|^2 = \frac{c}{|D_n(j\omega)|^2}. \quad (5.4.26)$$

Equation (5.4.26) can be derived by comparing the expression for  $c$  and the expression for  $t(s)$  (37). This provides some link between the synthesis procedure in (20) and classical techniques (37).

The above results in Equations (5.4.22), (5.4.24), and (5.4.25) are derived by using an algebraic manipulation. Actually they can be deduced from physical considerations. For  $s = j\omega$ , Equation (5.4.3) is the same as the Feldtkeller equation (33) which can be written in different forms (33) (37). The Feldtkeller equation describes power relations in a lossless two-port terminated by resistances. Rewriting Equation (5.4.3) gives

$$\frac{G_n(s)G_n(-s)}{c} + 1 = \frac{D_n(s)D_n(-s)}{c}. \quad (5.4.27)$$

In filter theory literature (33) the function  $D_n(s)/\sqrt{c}$  is known as the effective transmission factor and the function  $G_n(s)/\sqrt{c}$  is known as the characteristic function. The properties of these functions (33) for general lossless two-port are well known. By definition (33)

$$\frac{D_n(s)}{\sqrt{c}} = \frac{V_1}{I_2 \sqrt{4R_1 R_2}} = \frac{D_n(s)}{p_o \sqrt{4R_1 R_2}}. \quad (5.4.28)$$

Thus, it follows that  $c = 4p_o^2 R_1 R_2$ . Equations (5.4.24) and (5.4.25) can be derived in a similar manner.



For illustration, a numerical example is given below.

Example 5.4.1 Realize the transfer admittance function

$$Y_{21}(s) = \frac{5}{s^4 + 2s^3 + 10s^2 + 10s + 17} \quad (5.4.29)$$

with prescribed  $R_1 = \frac{16}{5}$  ohms and  $R_2 = \frac{1}{5}$  ohm. The prescribed  $R_1$  and  $R_2$  satisfy the constraint in Equation (5.4.9). Calculate the value of the constant  $c$  according to Equation (5.4.22), and obtain

$$c = 4p_o^2 R_1 R_2 = 4 \times 5^2 \times \frac{16}{5} \times \frac{1}{5} = 64. \quad (5.4.30)$$

From Equation (5.4.1)

$$\alpha = \min\{|D_n(j\omega)|^2, 0 \leq \omega < \infty\} = 17^2 = 289. \quad (5.4.31)$$

Therefore, the inequality  $0 < c \leq \alpha$  is satisfied.

By Navot's method with the constant  $c = 64$ , a tridiagonal matrix can be derived as

$$A_t = \begin{bmatrix} -1 & 2 & 0 & 0 \\ -2 & 0 & 1 & 0 \\ 0 & -1 & 0 & 2 \\ 0 & 0 & -2 & -1 \end{bmatrix}. \quad (5.4.32)$$

From a procedure presented in (20), the realized network is shown in Figure 5.4.2.

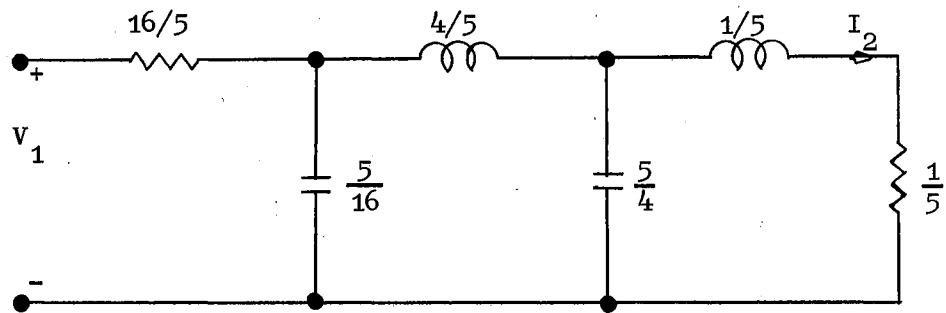


Figure 5.4.2. Example Synthesized Network

## CHAPTER VI

### SUMMARY AND SUGGESTIONS FOR FURTHER STUDY

#### 6.1 Summary

A new approach to network synthesis using resistors, capacitors, and nullator-norator pairs has been presented. The synthesis procedure is systematic and straightforward. A theorem is derived, which gives sufficient conditions for networks containing nullators and norators to have a unique solution. These sufficient conditions are given in terms of the topological locations of the nullators and the norators with respect to the other elements in the network as well as their element values. Then the synthesis procedure is developed based upon these conditions.

Synthesis of transfer functions, short-circuit admittance matrices, open-circuit impedance matrices, and hybrid matrices is considered. The synthesis procedure is different from other techniques. The synthesis is by means of state models. In each case, a state model is obtained from the complex frequency domain specification. The synthesis of the A-matrix, which corresponds to a source-free state model, is first considered. Then, the results are extended to the realization of a more general state model, thus obtaining the realization of transfer functions, immittance matrices, and hybrid matrices. Therefore, in the synthesis, the state model plays an important role.

Some of the important aspects of this synthesis are:

- (1) The nullators and norators are used directly.
- (2) A simple topology exists in the realization.
- (3) Several realizations may exist in each case.
- (4) The realization can be obtained almost by inspection, without carrying out the detailed synthesis procedure, because of the simple topology.
- (5) The nullator and the norator appear as a pair with one vertex in common in the realization, so that it can be replaced by an ideal transistor.
- (6) The realized network is, in general, not minimal in the sense of the number of elements used.

One of the basic results obtained earlier is used in the low-pass filter synthesis. Some additional results are derived in the calculation of a constant  $c$ . This constant arises from Navot's method of deriving a tridiagonal matrix from a strictly Hurwitz polynomial, and allows for the realization of a doubly terminated low-pass filter using the state-space approach.

## 6.2 Suggestions for Further Study

Since the realized network is not minimal in general, further study will be required to reduce the number of elements used, either resistors or nullator-norator pairs, or both. This might be accomplished by judicious selection of the free parameters.

Another area of further study is concerned with the realization of open-circuit impedance matrices, hybrid matrices, and other types of matrices without using gyrators.

The practical aspects of the active network synthesis, such as the problems of biasing, stability, sensitivity, etc., are not considered in this thesis. Furthermore, the realized networks have been assumed to use ideal transistors. The synthesis procedure developed needs to be modified to allow for the use of practical transistors. Further study is suggested on these topics. The work done by Murray-Lasso and others (24) (29) should be helpful in these investigations.

## BIBLIOGRAPHY

- (1) Antoniou, A. "New Gyrator Circuits Obtained by Using Nullors." Electronics Letters, Vol. 4, No. 5 (March, 1968), 87-88.
- (2) Balabanian, N. Network Synthesis. Englewood Cliffs, N. J.: Prentice-Hall, 1958.
- (3) Bashkow, T. R. "The A-Matrix, New Network Description." IRE Transactions on Circuit Theory, Vol. CT-4 (September, 1957), 117-119.
- (4) Bendik, J. "Equivalent Gyrator Networks With Nullators and Norators." IEEE Transactions on Circuit Theory, Vol. CT-14 (March, 1967), 98.
- (5) Blackwell, W. A., and L. L. Grigsby. "Systems of One-Port Linear Components Containing Through-Across Type Drivers." Journal of the Franklin Institute, Vol. 278, No. 4 (October, 1964), 237-247.
- (6) Braun, J. "Equivalent NIC Networks With Nullators and Norators." IEEE Transactions on Circuit Theory, Vol. CT-12 (September, 1965), 441-442.
- (7) Brayshaw, G. S. "Simplified Topological Solutions of Networks Containing Nullators and Norators." Electronics Letters, Vol. 4, No. 13 (June, 1968), 276.
- (8) Bryant, P. R. "The Explicit Form of Bashkow's A-Matrix." IRE Transactions on Circuit Theory, Vol. CT-9 (September, 1962), 303-306.
- (9) Carlin, H. J., and D. C. Youla. "Network Synthesis With Negative Resistors." Proc. Inst. Radio Engrs., Vol. 49, No. 5 (May, 1961), 907-920.
- (10) Carlin, H. J. "Singular Network Elements." IEEE Transactions on Circuit Theory, Vol. CT-11 (March, 1964), 67-72.
- (11) Cederbaum, I. "Applications of Matrix Algebra to Network Theory." IRE Transactions on Circuit Theory, Vol. CT-6 (May, 1959), 127-137.
- (12) Daniels, R. W. "The Synthesis of Fundamental Gyrtors." IEEE Transactions on Circuit Theory, Vol. CT-16 (November, 1969), 543-544.

- (13) Daniels, R. W. "A Method for Generating Some Active Circuits." IEEE Transactions on Circuit Theory, Vol. CT-18 (May, 1971), 397-399.
- (14) Davies, A. C. "Topological Solution of Networks Containing Nullators and Norators." Electronics Letters, Vol. 2, No. 3 (March, 1966), 90-92.
- (15) \_\_\_\_\_ . "The Significance of Nullators, Norators and Nullors in Active-Network Theory." The Radio and Electronic Engineer, Vol. 34 (November, 1967), 259-267.
- (16) \_\_\_\_\_ . "Nullator-Norator Equivalent Networks for Controlled Sources." IEEE Proceedings, Vol. 55, No. 5 (May, 1967), 722.
- (17) Dervisoglu, A. "Bashkow's A-Matrix for Active RLC Networks." IEEE Transactions on Circuit Theory, Vol. CT-11 (September, 1964), 404-407.
- (18) \_\_\_\_\_ . "The Realization of the A-Matrix of a Certain Class of RLC Networks." IEEE Transactions on Circuit Theory, Vol. CT-13 (June, 1966), 164-170.
- (19) Fowler, E. "A United State-Space Approach to RLCT Two-Port Transfer Function Synthesis." (Unpub. Ph. D. Thesis, Oklahoma State University, May, 1969.)
- (20) Fowler, E., and R. Yarlagadda. "A State-Space Approach to RLCT Two-Port Transfer-Function Synthesis." IEEE Transactions on Circuit Theory, Vol. CT-19 (January, 1972), 15-20.
- (21) Gantmacher, F. R. The Theory of Matrices. New York: Chelsea, 1959.
- (22) Kalman, R. E. "Mathematical Description of Linear Dynamical Systems." SIAM Journal Control, Vol. 1 (1963), 152-192.
- (23) Keen, A. W. "Immittance Synthesis in the Non-Reciprocal Domain." IEEE Proceedings, Vol. 110, No. 12 (December, 1963), 2118-2124.
- (24) Kozemchak, E. B., and M. A. Murray-Lasso. "Computer-Aided Circuit Design by Singular Imbedding." The Bell System Technical Journal, Vol. 48, No. 1 (January, 1969), 275-315.
- (25) Marshall, T. G. "Primitive Matrices for Doubly Terminated Ladder Networks." Proceedings 4th Allerton Conference on Circuit and System Theory, University of Illinois, Urbana (1966), 935-943.
- (26) Martinelli, G. "On the Nullor." IEEE Proceedings, Vol. 53, No. 3 (March, 1965), 332.

- (27) Mayeda, W. "Necessary and Sufficient Conditions for Realizability of Cut-Set Matrices." IRE Transactions on Circuit Theory, Vol. CT-7 (March, 1960), 79-81.
- (28) Mitra, S. K. Analysis and Synthesis of Linear Active Networks. New York: John Wiley & Sons, 1969.
- (29) Murray-Lasso, M. A., and W. D. Baker. "Computer Design of Multi-stage Transistor Bias Circuits." Proceedings of the Fifth Annual Allerton Conference on Circuit and System Theory. Monticello, Illinois (October, 1967).
- (30) Myers, B. R. "Nullor Model of the Transistor." IEEE Proceedings, Vol. 53, No. 7 (July, 1965), 758.
- (31) Navot, I. "The Synthesis of Certain Subclasses of Tridiagonal Matrices With Prescribed Eigenvalues." SIAM Journal of Applied Mathematics, Vol. 15, No. 2 (March, 1967), 241-251.
- (32) Newcomb, R. W. Active Integrated Circuit Synthesis. Englewood Cliffs, N. J.: Prentice-Hall, 1968.
- (33) Orchard, H. J., and G. C. Temes. "Filter Design Using Transformed Variables." IEEE Transactions on Circuit Theory, Vol. CT-15 (December, 1968), 385-408.
- (34) Rauch, D. J. "On the Realization of Time Domain Model of Real Linear Bielement Systems." (Unpub. Ph. D. Thesis, Michigan State University, 1963.)
- (35) Rohrer, R. A. Circuit Theory: An Introduction to the State Variable Approach. New York: McGraw-Hill, 1970.
- (36) Silverman, L. M. "Reciprocal Realization of A Matrices." IEEE Transactions on Circuit Theory, Vol. CT-16 (May, 1969), 252-253.
- (37) Weinberg, L. Network Analysis and Synthesis. New York: McGraw-Hill, 1962.
- (38) Wilkinson, J. H. The Algebraic Eigenvalue Problem. Oxford: Clarendon Press, 1965.
- (39) Yarlagadda, R. "An Application of Tridiagonal Matrices to Network Synthesis." SIAM Journal of Applied Mathematics, Vol. 16, No. 6 (November, 1968), 1146-1162.
- (40) Youla, D. C., and P. Tissi. "N-Port Synthesis via Reactance Extraction - Part I." 1966 IEEE International Convention Record, Part 7, 183-208.



VITA

Fun Ye

Candidate for the Degree of

Doctor of Philosophy

**Thesis:** NETWORK SYNTHESIS USING NULLATORS AND NORATORS

**Major Field:** Engineering

**Biographical:**

**Personal Data:** Born on October 27, 1940, in Taiwan, Republic of China, the son of Mr. and Mrs. Chiang-Tseng Ye.

**Education:** Graduated from Provincial Keelung High School, Keelung, Taiwan, in July, 1959; received the Bachelor of Science in Engineering degree from National Taiwan University, Taipei, Taiwan, in June, 1964; received the Master of Science degree from Oklahoma State University in May, 1968, with a major in Electrical Engineering; completed requirements for the Doctor of Philosophy degree at Oklahoma State University, with a major in Electrical Engineering, in May, 1972.

**Professional Experience:** Employed by Oklahoma State University as a graduate assistant from February, 1968 to October, 1971. Specific assignments included: Analysis and Synthesis of Integrated Circuits, Synthesis of Fundamental Cut-Set Matrices, and Analysis and Synthesis of Networks Containing Nullators and Norators.

**Professional Organizations:** Member of Sigma Xi and the Institute of Electrical and Electronics Engineers.