

THE TEXAS STATE AQUARIUM * CORPUS CHRISTI, TX.

Thesis
1986R
p945t

POEM

"THE SEA IS EVERYTHING... IT IS AN IMMENSE
DESERT, WHERE MAN IS NEVER LONELY, FOR HE FEELS LIFE
STIRRING ON ALL SIDES.

THE SEA IS ... THE EMBODIMENT OF A
SUPERNATURAL AND WONDERFUL EXISTENCE ... NATURE
MANIFESTS HERSELF IN IT BY HER THREE KINGDOMS, MINERAL,
VEGETABLE, AND ANIMAL.

THE SEA IS THE VAST RESERVOIR OF NATURE."

FROM TWENTY THOUSAND LEAGUES
UNDER THE SEA BY JULES VERNE

ARCHITECTURE LIBRARY

THE TEXAS STATE AQUARIUM * CORPUS CHRISTI, TX.

PRE-WORD

THOSE WHO HAVE NOT SEEN THE MYSTERIOUS OCEAN CAN BE INTRODUCED TO HER THROUGH THE DYNAMICS OF TODAY'S PUBLIC AQUARIUM. THERE ARE NO DARK PASSAGES WITH THE STARK AND STARRING TANKS, NO ROW AFTER ROW AFTER ROW OF GLASS DISPLAYS TO DULL THE MIND. INSTEAD, THERE IS LIGHT, WATER, MOTION. FISH AND SEA CREATURES ENCIRCLE THOSE WHO ENTER IN A MARINE DISPLAY THAT ASTONISHES, EXCITES AND MYSTIFIES. ENTERTAINMENT, IT IS. BUT, IT IS ALSO EDUCATION IN ITS MOST ELECTRIFYING FORM - FUN.

THE TEXAS STATE AQUARIUM * CORPUS CHRISTI, TX.

AVOWALS

I WOULD LIKE TO THANK FIRST OF ALL, MY PARENTS, PETER AND BETTY PRICE FOR PUTTING ME THRU SIX YEARS OF COLLEGE (HELL) FOR WITHOUT THEIR SUPPORT, I WOULD BE SELLING ENCYCLOPEDIAS RIGHT ABOUT NOW! MOST OF ALL, I WOULD LIKE TO THANK MY WIFE, DIANA, FOR PUSHING AND HELPING ME WITH THIS AND MANY OTHER PAST PROJECTS, FOR WITHOUT HER SUPPORT I WOULD HAVE NEVER MADE IT THIS FAR. IT IS WITH GREAT PLEASURE TO DEDICATE THIS SMALL PROGRAM TO THEM (BECAUSE I DON'T WANT IT ANYMORE!).

THANKS!

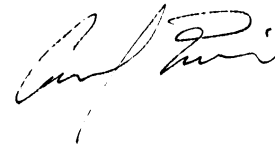
A handwritten signature in cursive script, appearing to read "Carl Price".

TABLE OF CONTENTS

POEM	
PRE-WORD	
AVOWALS	
TABLE OF CONTENTS	
INTRODUCTION	
MISSION STATEMENT	1
USERS	3
SITE ANALYSIS	
NATIONAL MAP	7
DISTRICT AND REGIONAL TRAFFIC	8
CORPUS CHRISTI AND VICINITY	9
CORPUS CHRISTI'S BAYFRONT	10
CORPUS CHRISTI'S YACHT BASIN	11
THE SITE AND CONTEXT	12
THE SITE AND SECTION	13
TOPOGRAPHY	14
LANDMARKS	15
VIEWS	16
EXISTING VEGETATION	17
PEDESTRIAN TRAFFIC	18
AUTOMOBILE TRAFFIC	19
NOISE	20

TABLE OF CONTENTS

UTILITIES	21
WALKING RADIUS	22
CORPUS CHRISTI BAYFRONT MASTER PLAN	23
PHOTOGRAPHIC SURVEY	27
CLIMATIC DATA	
CLIMATIC DATA SUMMARY	33
ANNUAL TEMPERATURE	35
AVERAGE WIND SPEED	35
ANNUAL PRECIPITATION	36
RELATIVE HUMIDITY	36
CLIMATIC EXTREMES	37
SUN ANGLES	37
GENERAL CRITERIA	38
SPACE REQUIREMENTS	
COMPLEX ORGANIZATION	
COMPLEX ORGANIZATION	46
FUNCTIONAL RELATIONSHIP DIAGRAM	47
ADMINISTRATIVE RELATIONSHIP DIAGRAM	48
LOBBY/PUBLIC FACILITIES (A)	
REQUIRED SPACES	49
FUNCTIONAL RELATIONSHIP DIAGRAM	50
SPACE ANALYSIS	51

TABLE OF CONTENTS

EXHIBITS (B)	
REQUIRED SPACES	74
SPACE ANALYSIS	76
CURITORIAL (C)	
REQUIRED SPACES	109
FUNCTIONAL RELATIONSHIP DIAGRAM	110
SPACE ANALYSIS	111
ADMINISTRATION (D)	
REQUIRED SPACES	131
FUNCTIONAL RELATIONSHIP DIAGRAM	132
SPACE ANALYSIS	133
RESEARCH (E)	
REQUIRED SPACES	152
FUNCTIONAL RELATIONSHIP DIAGRAM	153
SPACE ANALYSIS	154
OPERATIONS (F)	
REQUIRED SPACES	170
FUNCTIONAL RELATIONSHIP DIAGRAM	171
SPACE ANALYSIS	172
EXTERIOR REQUIREMENTS	190
LIFE SUPPORT SYSTEMS	191

TABLE OF CONTENTS

GOALS AND CONCEPTS	
FUNCTION	197
FORM	201
ECONOMY	202
TIME	203
STATEMENT OF THE PROBLEM	204
RESOURCES	207

INTRODUCTION

MISSION STATEMENT

MISSION STATEMENT

WHY HAVE AN AQUARIUM AT ALL?

THE ANSWER LIES IN CORPUS CHRISTI'S PAST, PRESENT AND FUTURE - IT IS INTRICATELY BOUND TO THE OCEANS.

THE ECOLOGICAL AND ECONOMIC WORTH OF THE MARINE ENVIRONMENT, HER COMPLEX AND FASCINATING SYSTEMS, MUST BE UNDERSTOOD.

THIS IS WHERE AN AQUARIUM PLAYS ITS MOST IMPORTANT ROLE: PUBLIC KNOWLEDGE WILL HELP TO ESTABLISH AND MAINTAIN A BALANCE. THIS GENERATION AND FUTURE ONES MUST LEARN TO USE OUR GREAT NATURAL RESOURCE, THE OCEAN, TO THE FULLEST WITHOUT DESTROYING HER POTENTIAL.

AQUARIUM VISITORS WILL BE ENLIGHTENED AND EDUCATED, ENTERTAINED AND AMAZED BY THE SEA WORLD AROUND THEM. THE AQUARIUM WILL HAVE THREE MAJOR DISPLAY THEMES: THE GULF OF MEXICO, TEXAS BAYS AND ESTUARIES, AND THE CARIBBEAN SEA. DISPLAY TANKS WILL RANGE IN SIZE FROM 1120 TO OVER 450,000 GALLONS. THE GULF OF MEXICO WILL OCCUPY FIVE TANKS. ONE OF THESE WILL BE THE LARGEST IN THE AQUARIUM AND WILL CONTAIN FISH NATIVE TO THE GULF SUCH AS THE TARPON, SHARK, JEWFISH, SAWFISH AND BARRACUDA.

THE TEXAS BAYS AND ESTUARIES EXHIBIT WILL FEATURE ELEVEN TANKS RANGING FROM 1120 TO APPROXIMATELY 21,000 GALLONS. TWO TOUCH TANKS WILL PROVIDE VISITORS WITH A REAL "HANDS-ON" EXPERIENCE.

THE TEXAS STATE AQUARIUM * CORPUS CHRISTI, TX.

MISSION STATEMENT

THE CARIBBEAN SEA - ITS ISLANDS, REEFS, ECOLOGY, AND MARINE BIOLOGY - WILL COME TO LIFE IN PHOTO MURALS, GRAPHICS, AND SIX LIVING DISPLAYS. IN THE CHILDREN'S AREA, THE WATER AND HER INHABITANTS WILL CAPTIVATE EAGER YOUNG MINDS. CHILDREN WILL BE ABLE TO FEEL, STROKE AND HOLD THE BEAUTIFUL CREATURES THAT LIVE THERE. PERHAPS THIS EXPERIENCE WILL GIVE BIRTH TO AN ENDLESS RESPECT FOR THE SEA.

THE TEXAS STATE AQUARIUM * CORPUS CHRISTI, TX.

USERS

USERS

GENERAL PUBLIC/VISITORS

THIS INCLUDES PEOPLE OF ALL AGES, FROM 3 YEARS TO 80 YEARS OLD. THE VISITORS COME TO THE AQUARIUM FOR MANY REASONS, ENTERTAINMENT, EDUCATIONAL PURPOSES, KNOWLEDGE ON THE FISHING ASPECTS/POSSIBILITIES OF THE GULF AND CORPUS CHRISTI, OR JUST TO HAVE FUN. NO MATTER WHY THEY COME, THEY WILL EXPERIENCE WHAT THEY HAVE COME FOR AND MORE. THE SITE OF CORPUS CHRISTI BAY IS VERY PLEASANT, AND PLAYS AN IMPORTANT ROLE IN THE VISITORS EXPERIENCE BEFORE ENTERING THE AQUARIUM. IT WILL PREPARE THEM EMOTIONALLY FOR THE TEXAS STATE AQUARIUM.

RESTUARANT VISITORS

THIS INCLUDES GROUPS, FAMILIES, COUPLES, OR JUST SINGLE PEOPLE, COMING TO THE RESTURANT DURING THE AQUARIUM HOURS FOR LUNCH OR AFTER HOURS FOR LATE NIGHT DINNERS. THE PUBLIC WILL COME TO THE RESTUARANT BECAUSE OF THE FINE FOOD (OF COURSE) AND THE BEAUTIFUL VANTAGE POINT, OUT ON THE BAY, WITH ITS NIGHT LIT ATMOSPHERE AND THE NAUTICAL CHARACTER OF THE LAND MASSES. THE RESPONSIBILITIES AND FUNCTION OF THE VISITORS IS ONLY TO ENJOY THEMSELVES.

USERS

MEMBERS/SPECIAL GUESTS

THIS INCLUDES PEOPLE WHO PAY MONTHLY DUES WHICH BELONG TO THE AQUARIUM MEMBERSHIP CLUB. THEIR ROLE IN THE AQUARIUM IS TO ENJOY THE PRIVILEGES OF THE MONTHLY JOURNAL ON THE TEXAS STATE AQUARIUM, FREE ADMITTANCE INTO THE AQUARIUM ALL YEAR LONG, FREE LECTURES FROM VISITING LECTURERS AND THE PRIVILEGE OF RESERVING AND USING THE AUDITORIUM AND CLASSROOM FACILITIES FOR THEIR PRIVATE FUNCTIONS.

STUDENTS

THIS INCLUDES STUDENTS FROM HIGH SCHOOLS AND UNIVERSITIES WHO WILL USE THE FACILITY FOR EDUCATIONAL PURPOSES. THEY WILL USE THE CLASSROOMS AND AUDITORIUMS FOR CLASS AND VISITING LECTURES. THE STUDENTS WILL BE ABLE TO GET HANDS-ON EXPERIENCE (UNDER SUPERVISION) IN THE RESEARCH DEPARTMENT, BY USING THE VISITING LABORATORY FOR MINOR EXPERIMENTS, AND LECTURES DEALING WITH AQUATIC LIFE.

ADMINISTRATIVE STAFF

THIS INCLUDES THE DIRECTOR, ASSISTANT DIRECTOR, DIRECTOR OF FINANCE, AND THE DIRECTOR OF RESEARCH. THEIR RESPONSIBILITIES ARE TO ENSURE THAT THE AQUARIUM'S FINANCIAL,

USERS

OPERATIONAL AND CURITORIAL NEEDS ARE TAKEN CARE OF, THROUGH THE ADMINISTRATION OF RESPONSIBILITIES ON OTHER "HEADS", OF EACH INDIVIDUAL DEPARTMENTS AND MAKING CHECKS AND BALANCES TO ENSURE THE WORK IS BEING DONE PROPERLY AND ECONOMICALLY. THEY ARE THE HEART OF THE COMPLEX.

CURITORIAL/OPERATIONAL STAFF

THIS INCLUDES THE EXHIBIT CURATOR AND HIS STAFF, THE EDUCATION CURATOR AND HIS VISITING GUEST LECTURERS, AND ALL THE OPERATIONAL STAFF. THEIR RESPONSIBILITIES ARE TO ENSURE THE EXHIBITS ARE IN PERFECT WORKING CONDITION, INVOLVING THE HEALTH AND CARE OF THE FISH, THE WATER QUALITY/QUANTITY, THE REPAIRS AND MAINTENANCE OF THE TANKS, AND THE GENERAL EXTERNAL APPEARANCE OF THE TANKS FOR THE PUBLIC. THE OTHER RESPONSIBILITIES WHICH MAINLY FALL ON THE OPERATIONAL STAFF ARE, THE RECORDING AND RECEIVING OF SUPPLIES, AND THE GENERAL MAINTENANCE OF THE BUILDING ITSELF.

RESEARCH STAFF

THIS INCLUDES THE GENERAL RESEARCH STAFF, THE DIRECTOR OF RESEARCH AND THE VISTING RESEARCHER. THEIR RESPONSIBILITIES AND FUNCTIONS ARE TO RESEARCH NEW METHODS AND DEVICES AND TO GIVE AQUARIUM FISH AN ENVIRONMENT THAT THEY CAN

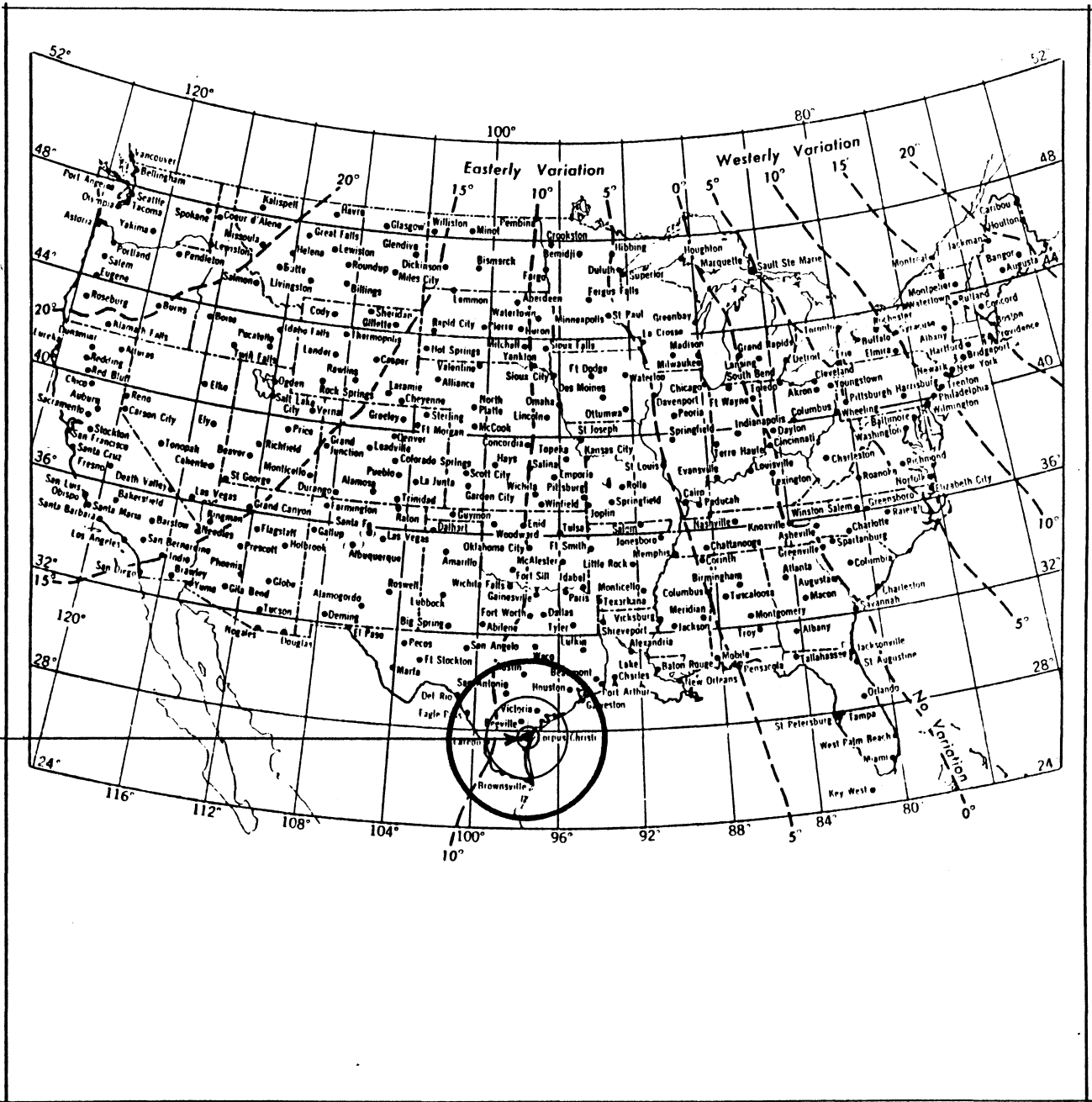
USERS

PHYSICALLY AND PSYCHOLOGICALLY LIVE IN. OTHER FUNCTIONS OF THE RESEARCH STAFF IS THE GENERAL STUDY OF THE OCEAN, HOW TO BETTER LIVE WITH, UNDERSTAND AND PROTECT IT, AND ITS INHABITANTS. THE RESPONSIBILITIES THE RESEARCH STAFF HAVE TO THE AQUARIUMS' CURATORIAL STAFF IS TO UPDATE THEM WITH NEW FINDINGS ON THE "STATE OF THE ART" METHODS OF FEEDING, DISPLAYING AND ANY OTHER NEW DISCOVERIES THAT THEY FIND, AND TO HELP THE CURATORIAL STAFF WHEN A PROBLEM ARISES WITH THE HEALTH OF ANY OF THE AQUATIC LIFE. IN SUMMARY, THE RESEARCH STAFF IS RESPONSIBLE FOR NOT ONLY THEIR OWN RESEARCH STUDIES, BUT ALSO FOR UPDATING AND HELPING THE CURATORIAL STAFF.

THE TEXAS STATE AQUARIUM * CORPUS CHRISTI, TX.

SITE ANALYSIS

NATIONAL MAP



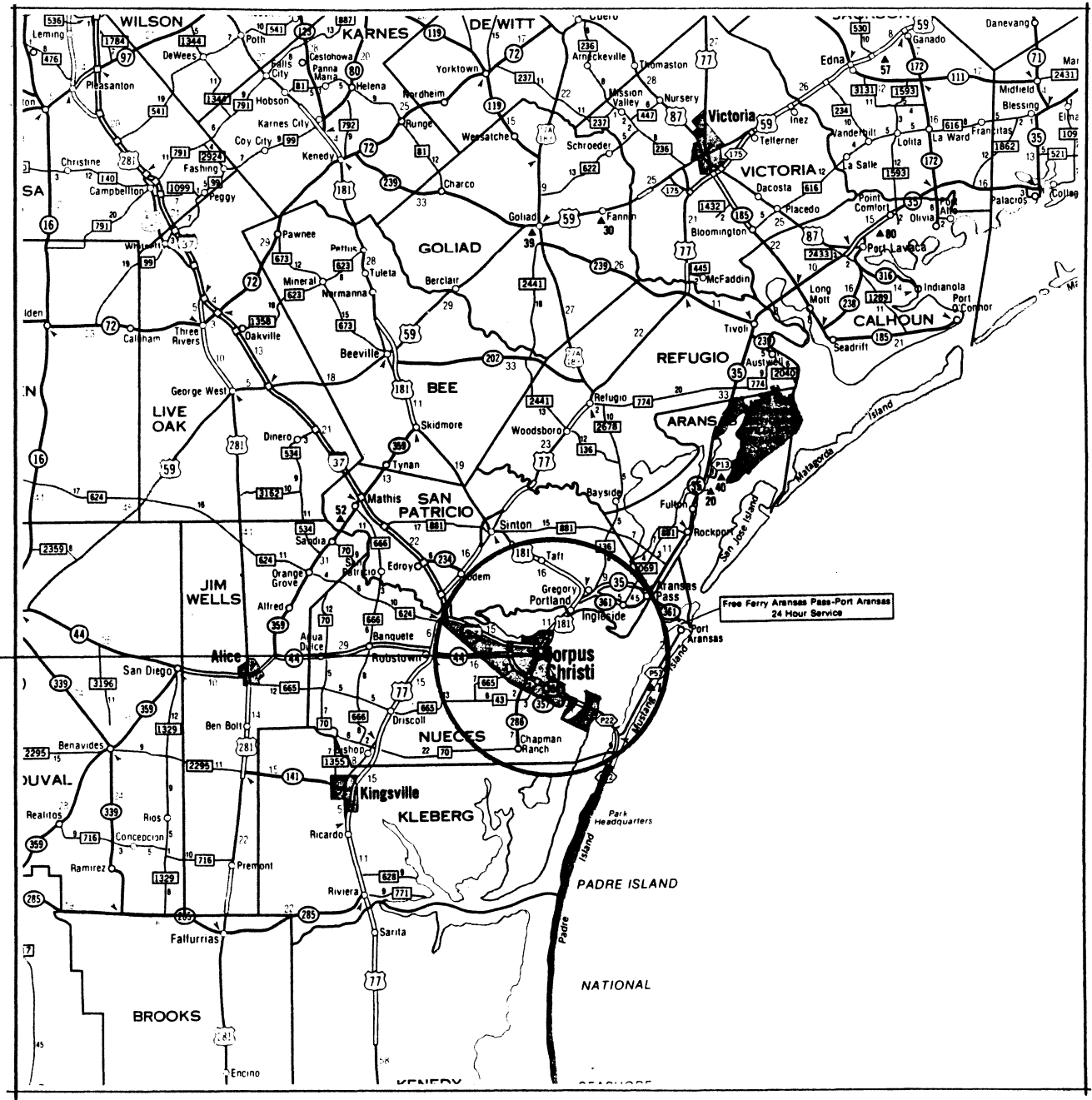
CORPUS CHRISTI



THE TEXAS STATE AQUARIUM * CORPUS CHRISTI, TX.

DISTRICT & REGIONAL TRAFFIC

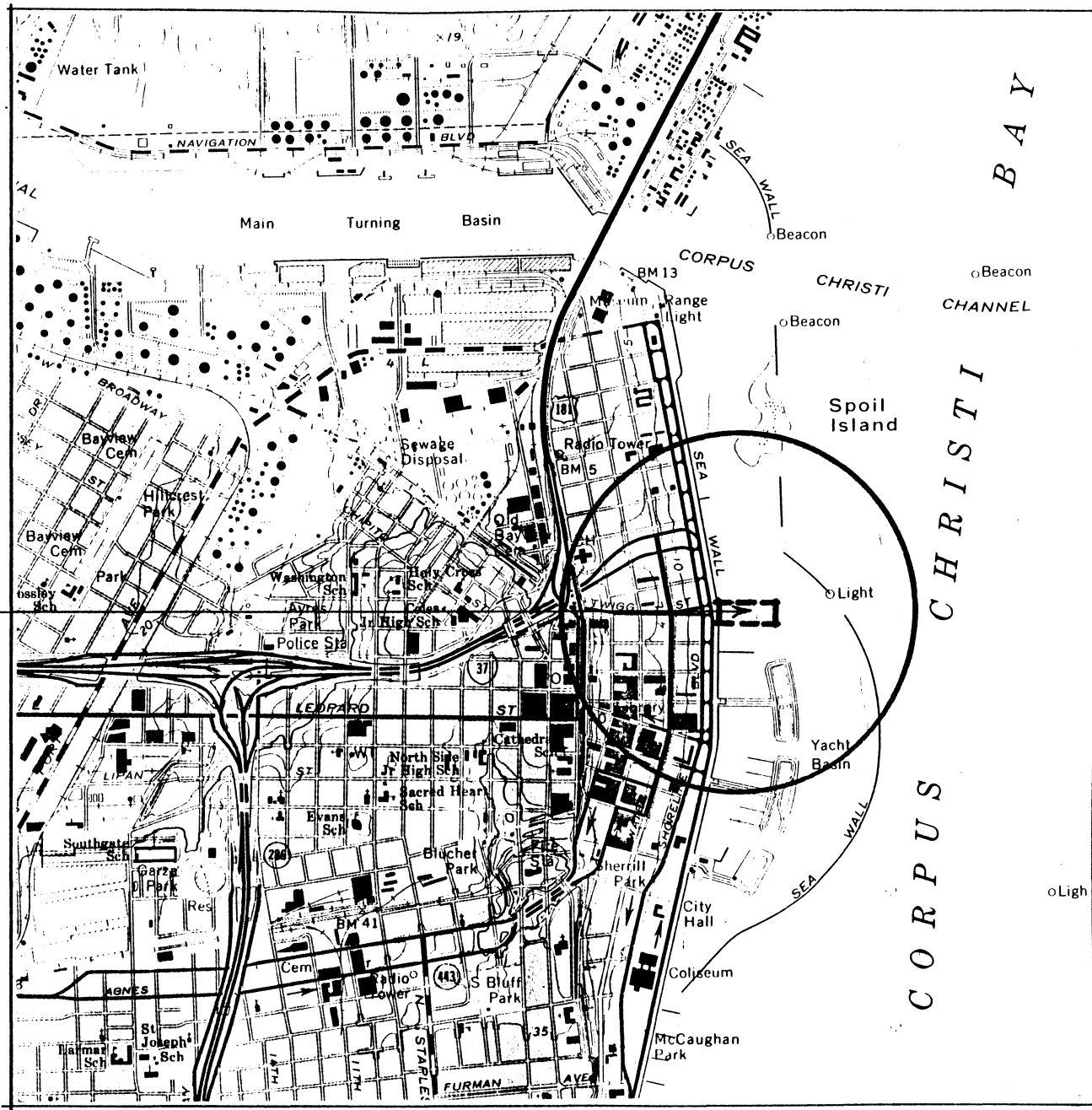
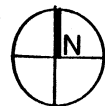
GENERAL SITE LOCATION



THE TEXAS STATE AQUARIUM * CORPUS CHRISTI, TX.

CORPUS CHRISTI'S BAYFRONT

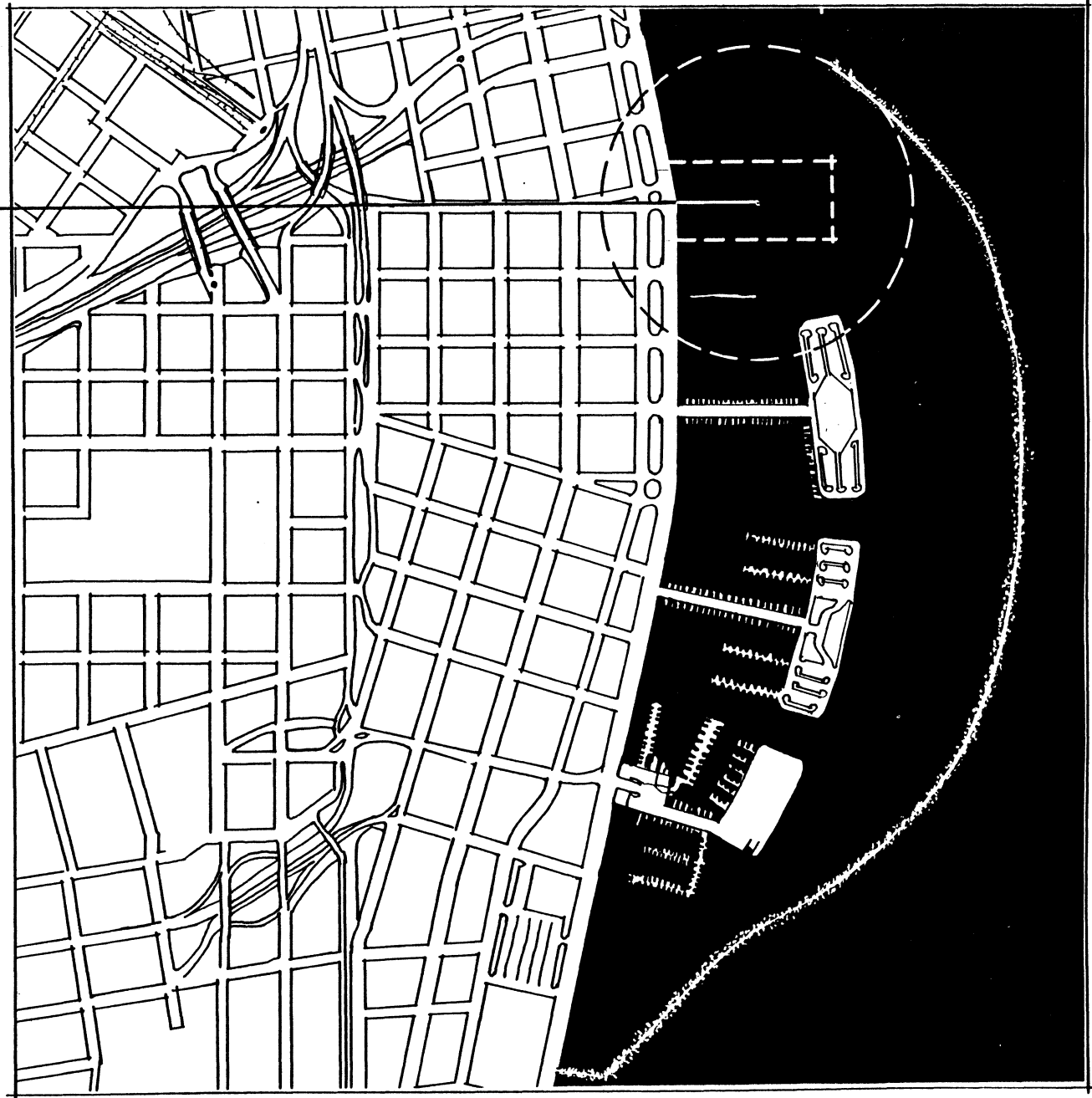
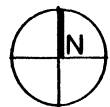
SITE



THE TEXAS STATE AQUARIUM * CORPUS CHRISTI, TX.

YACHT
BASIN

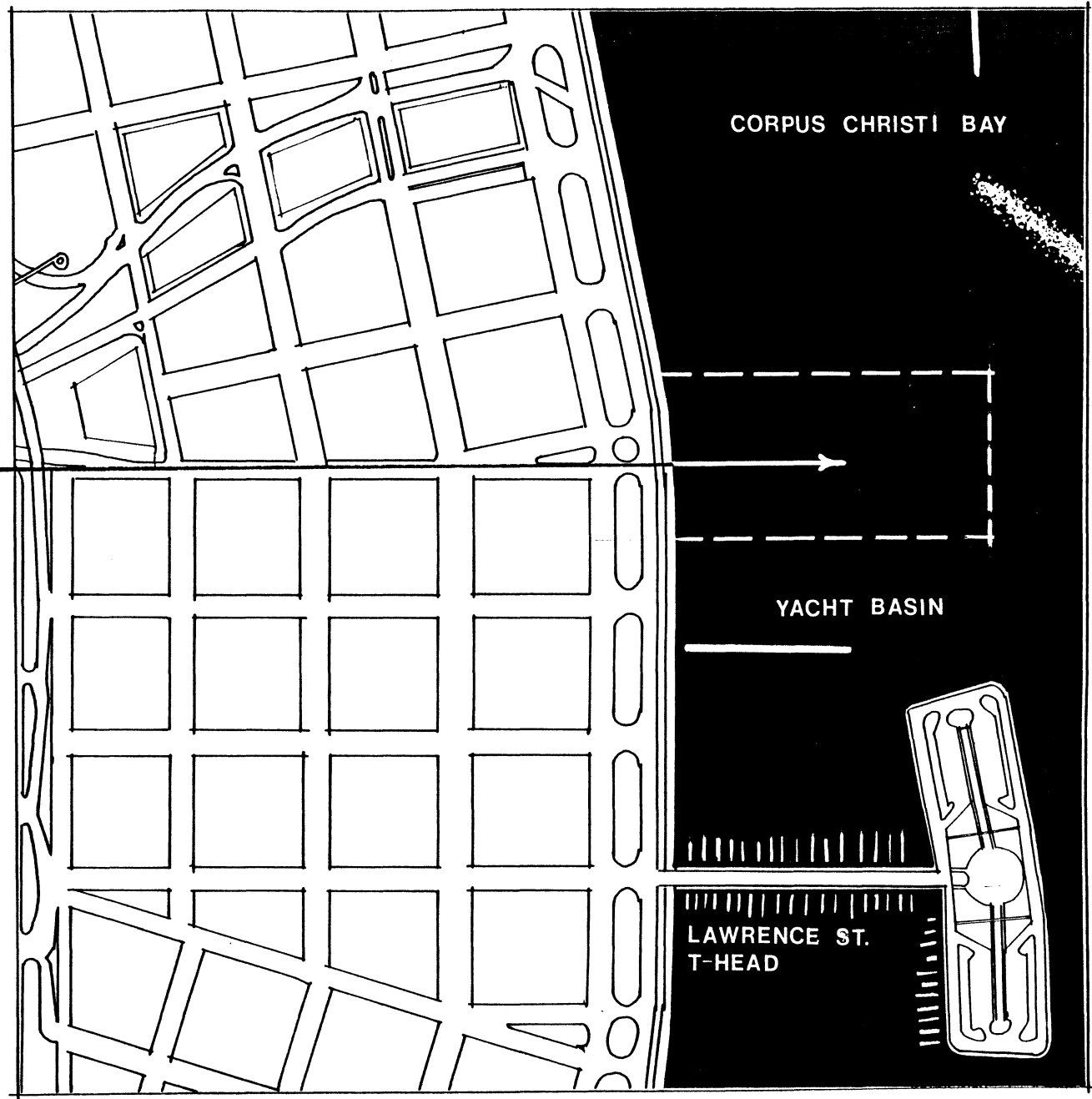
SITE FOR THE
TEXAS STATE AQUARIUM



THE TEXAS STATE AQUARIUM * CORPUS CHRISTI, TX.

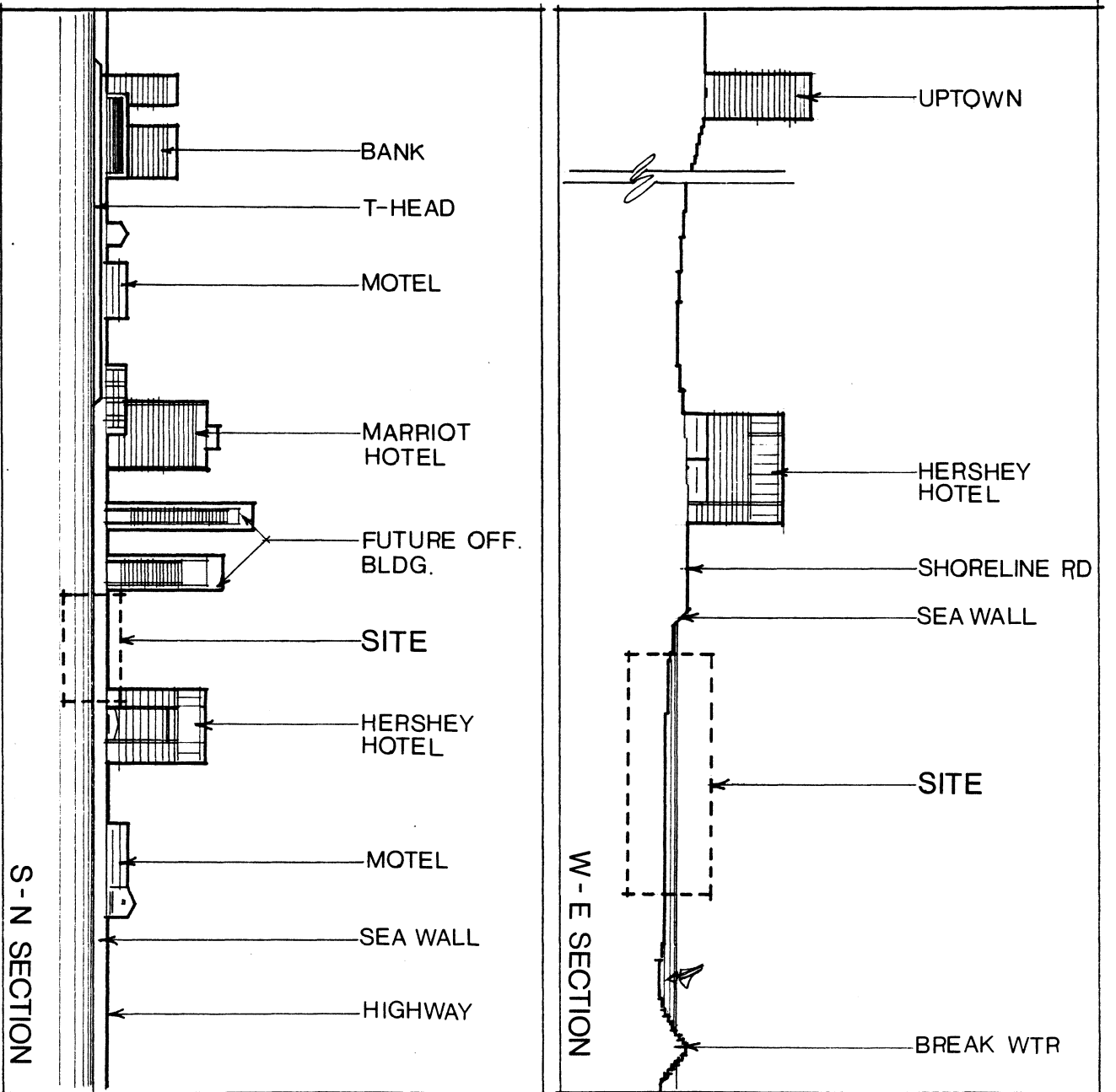
THE SITE & CONTEXT

AQUARIUM SITE



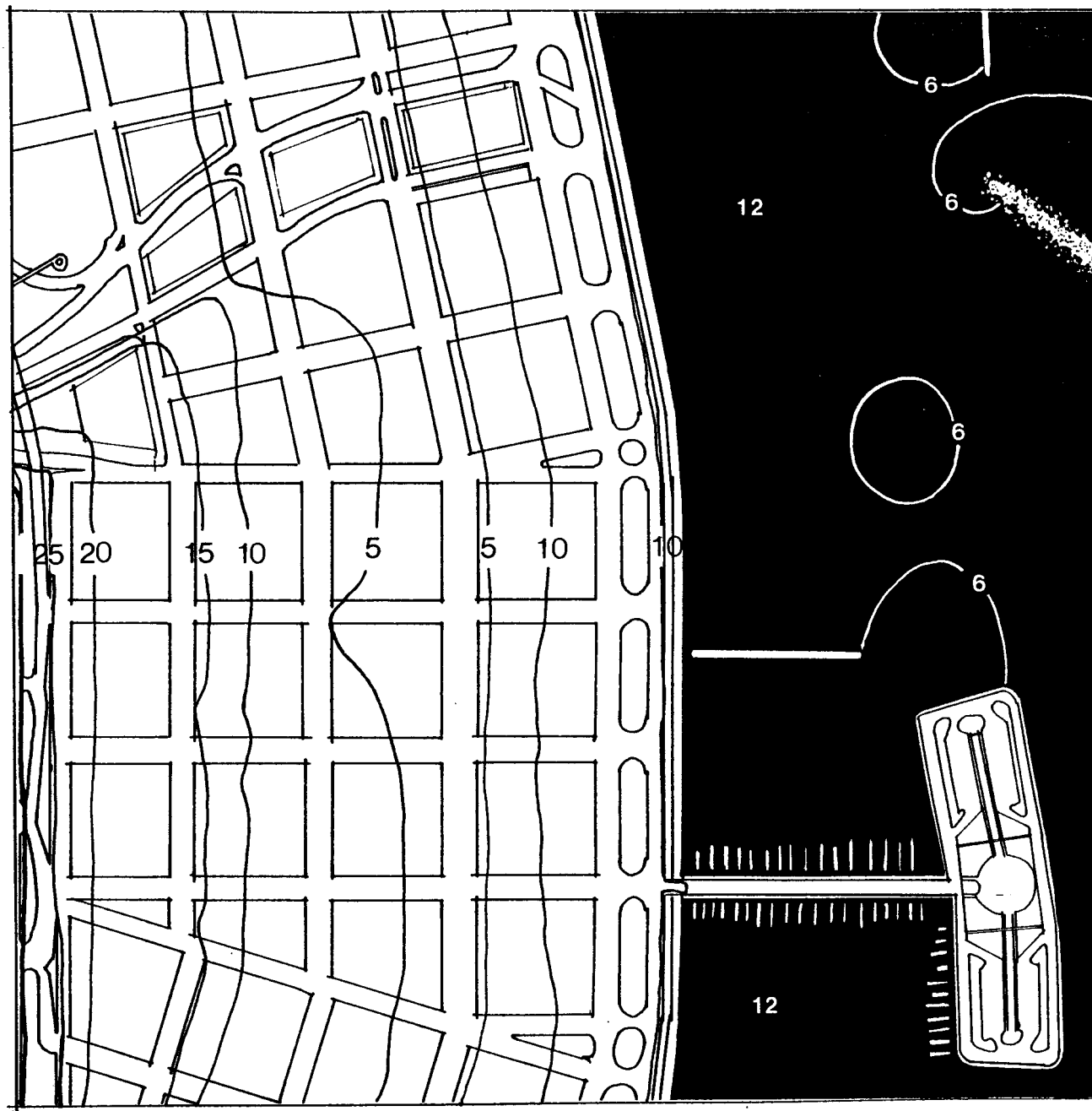
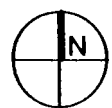
THE TEXAS STATE AQUARIUM * CORPUS CHRISTI, TX.

SITE SECTIONS



THE TEXAS STATE AQUARIUM * CORPUS CHRISTI, TX.

TOPOGRAPHY
MAP



THE TEXAS STATE AQUARIUM * CORPUS CHRISTI, TX.

LANDMARKS

SEA WALL

20 STORY HERSHEY HOTEL

STATUE OF PELICANS

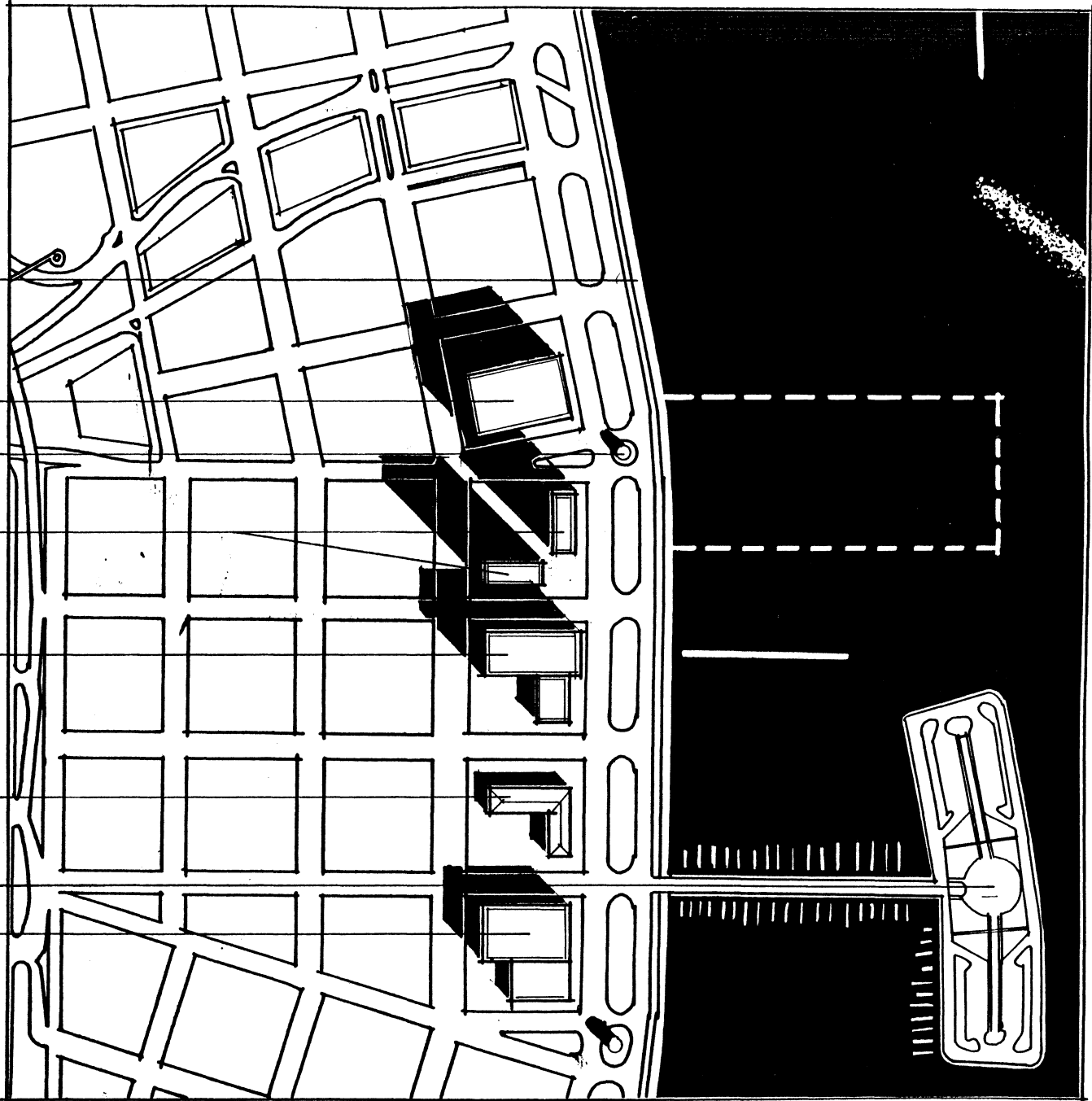
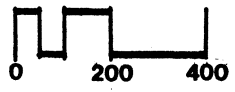
FUTURE 30 STORY OFFICE BUILDING

19 STORY MARRIOTT HOTEL

MOTEL

PEOPLES ST. T-HEAD

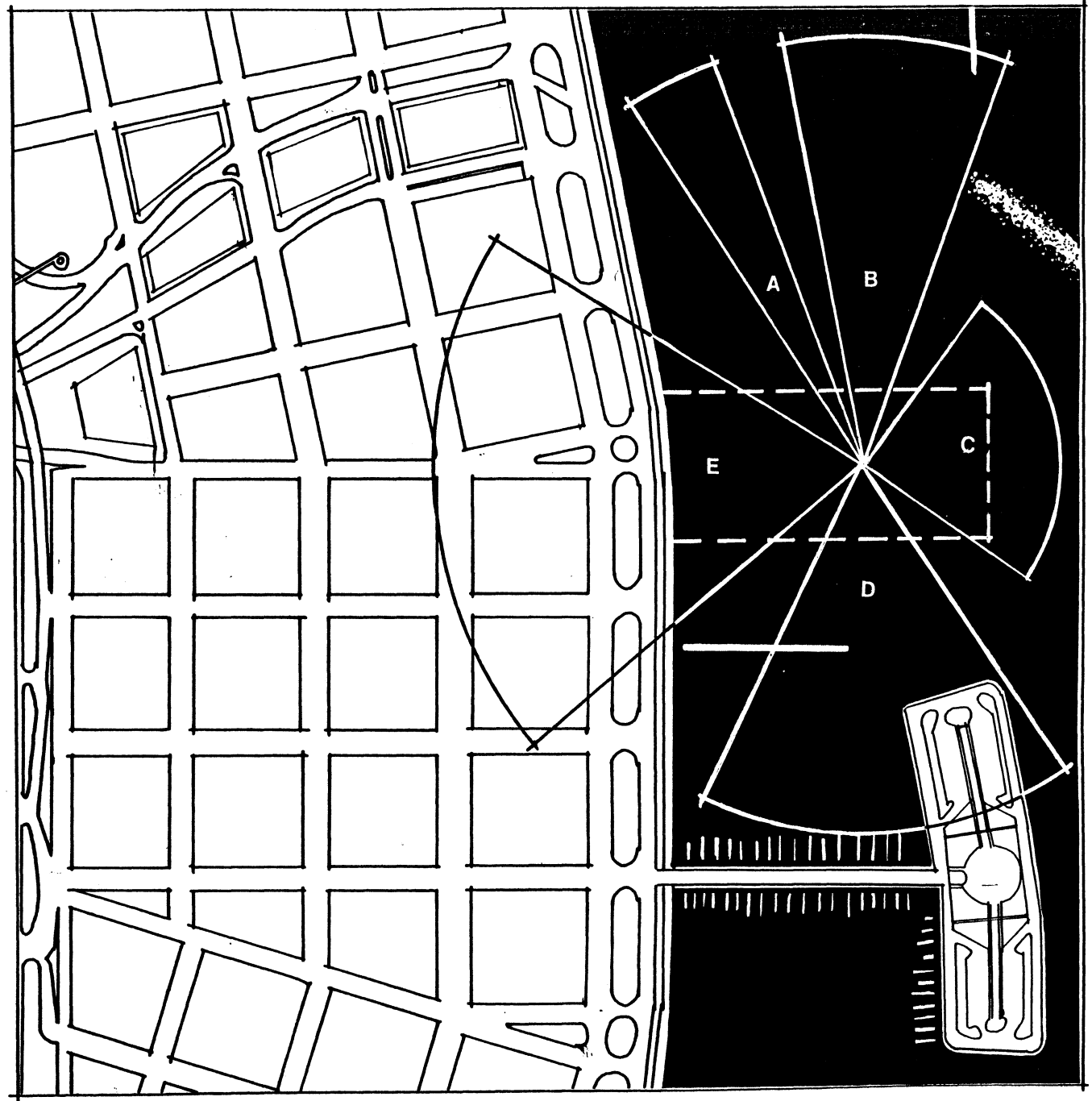
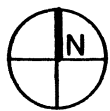
12 STORY BANK



THE TEXAS STATE AQUARIUM * CORPUS CHRISTI, TX.

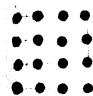
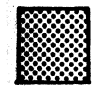
VIEWS

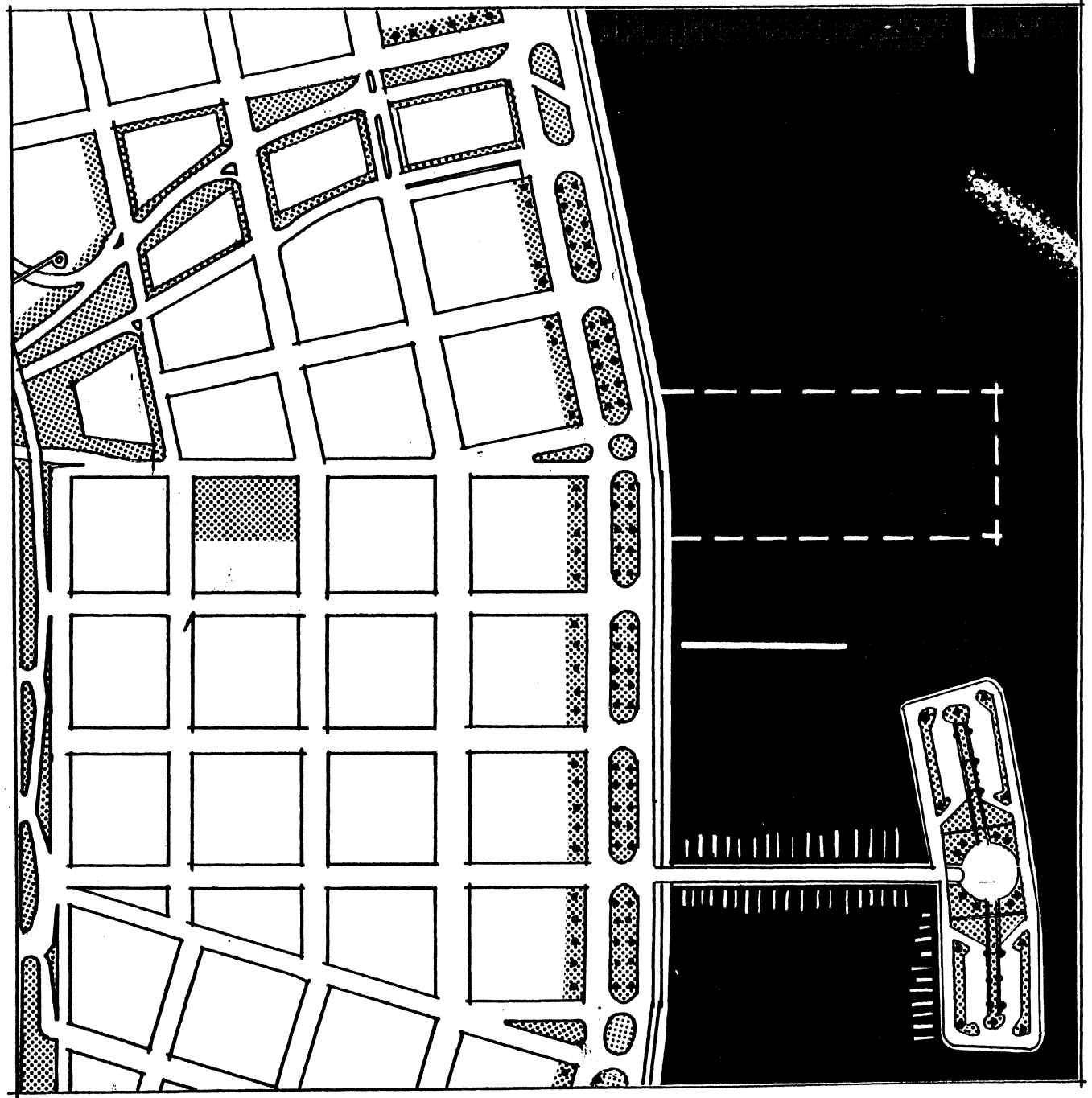
- A) C.C CONVENTION CENTER,
ART MUSEUM AND HARBOUR
BRIDGE
- B) NORTH SHORELINE AND
INCOMING TANKERS
- C) BREAKWATER, INCOMING
SAILBOATS, YACHTS, ETC., -
OPENWATER (NO LAND MASS
OR SHORELINE)
- D) PEOPLES STREET T-HEAD,
LAWRENCE ST. T-HEAD, AND
L-HEAD WITH HUNDREDS OF
BOATS AND 5 RESTUARANTS.
- E) 15-25 STORY HIGH HOTELS
AND UPTOWN IN THE
BACKGROUND.



THE TEXAS STATE AQUARIUM * CORPUS CHRISTI, TX.

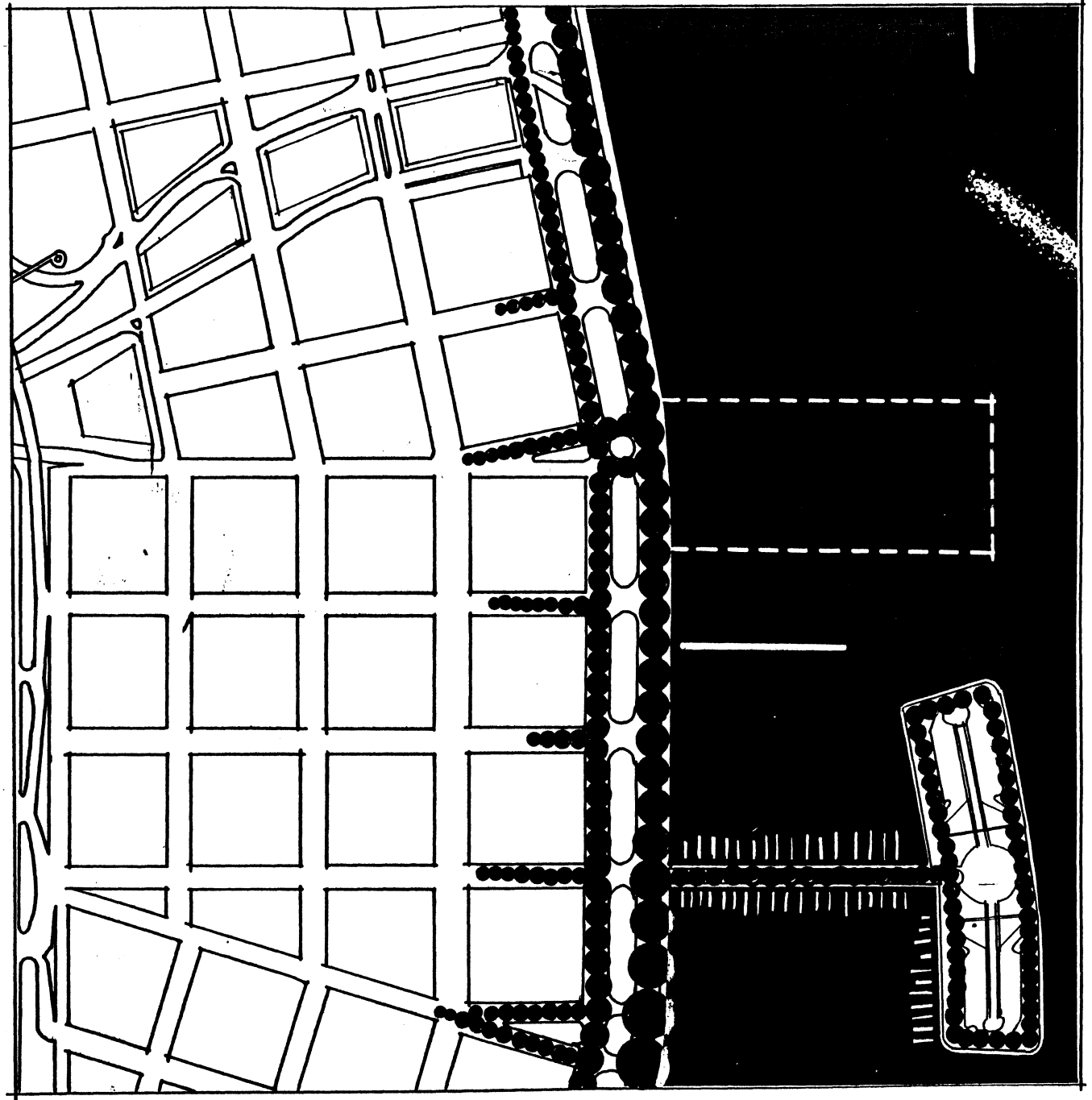
EXISTING VEGETATION

-  PALM TREES
-  GRASS



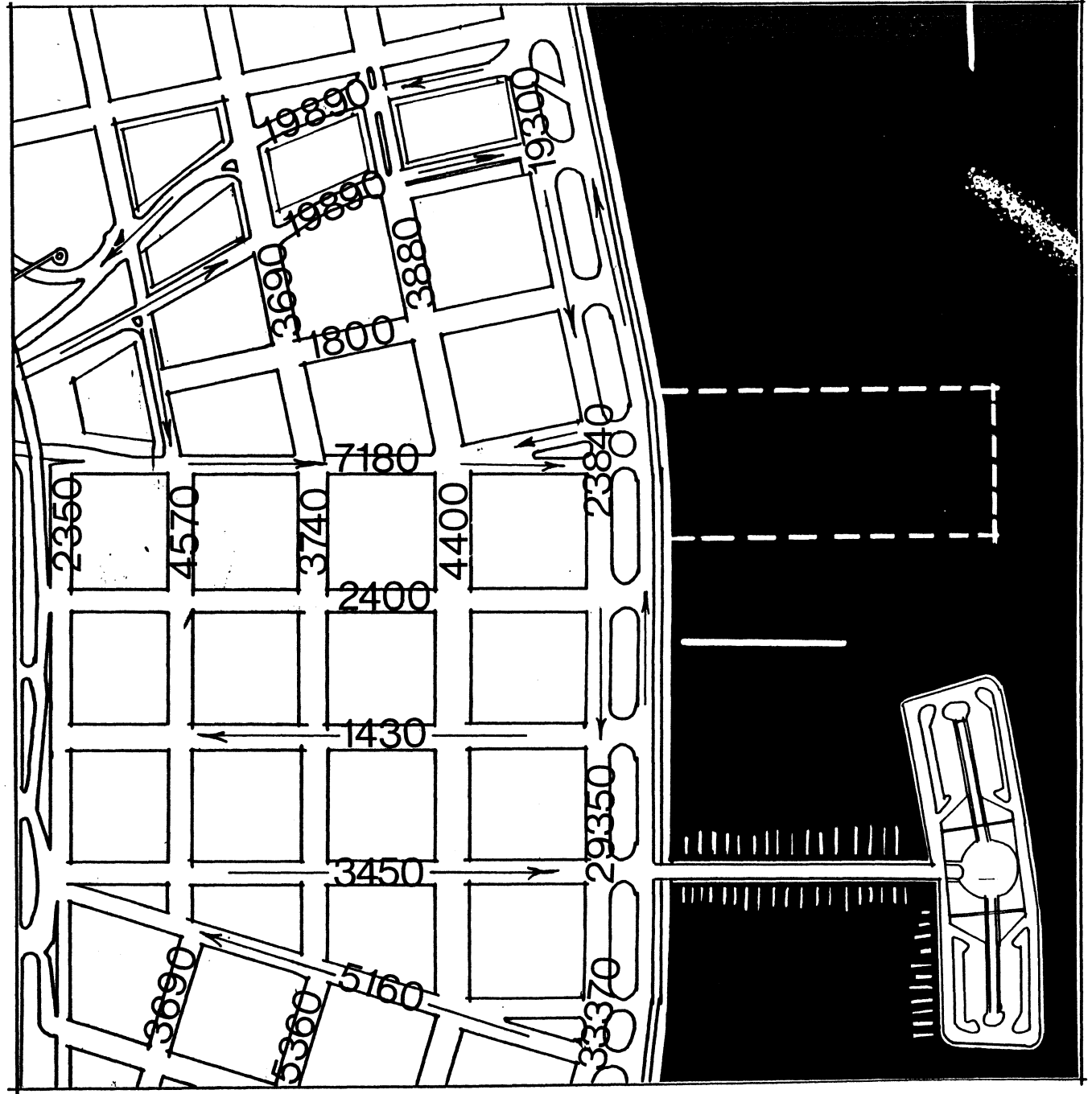
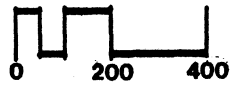
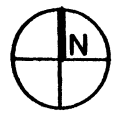
THE TEXAS STATE AQUARIUM * CORPUS CHRISTI, TX.

PEDESTRIAN
TRAFFIC
DENSITY



THE TEXAS STATE AQUARIUM * CORPUS CHRISTI, TX.

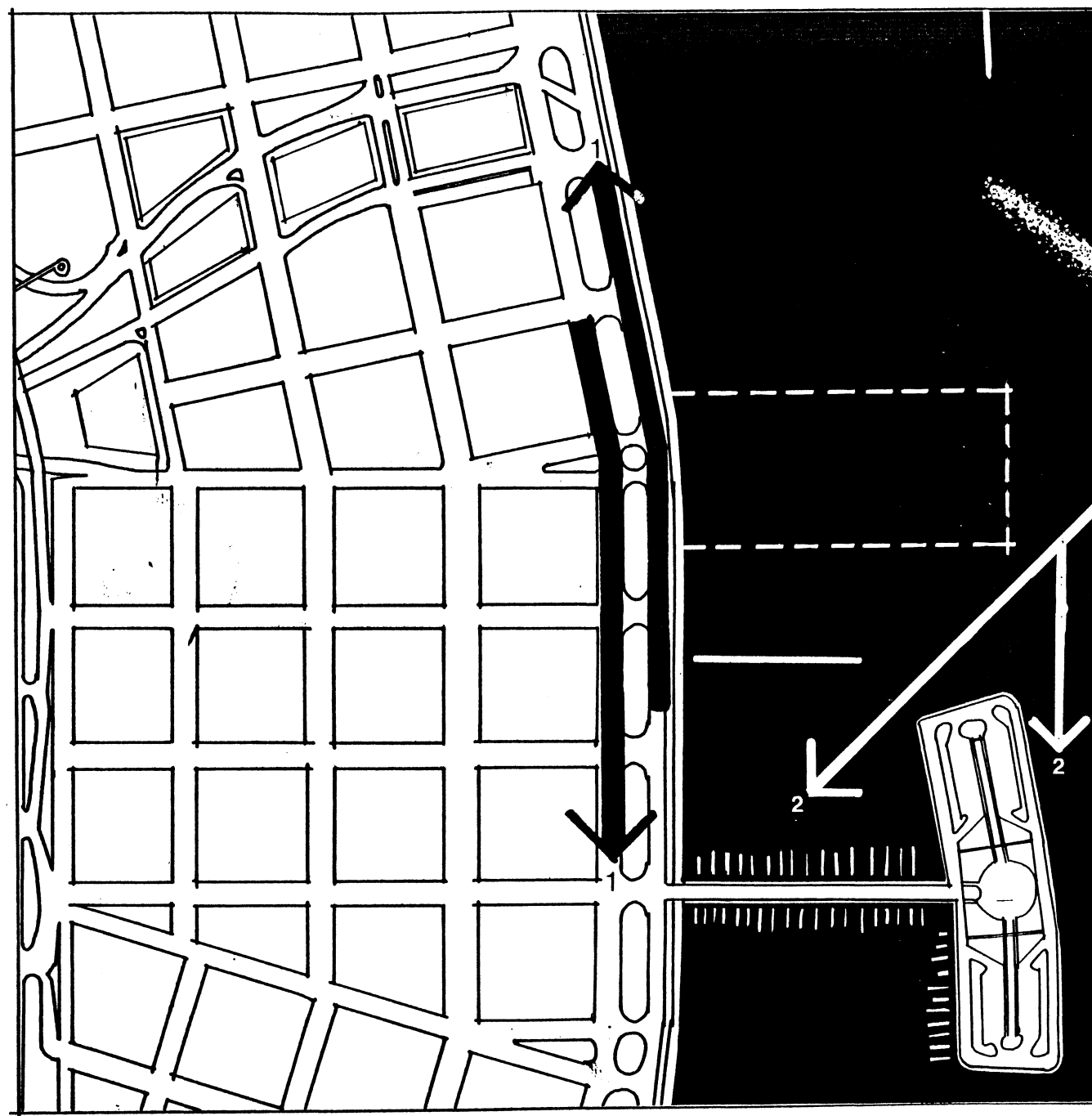
AUTOMOBILE TRAFFIC



THE TEXAS STATE AQUARIUM * CORPUS CHRISTI, TX.

NOISE

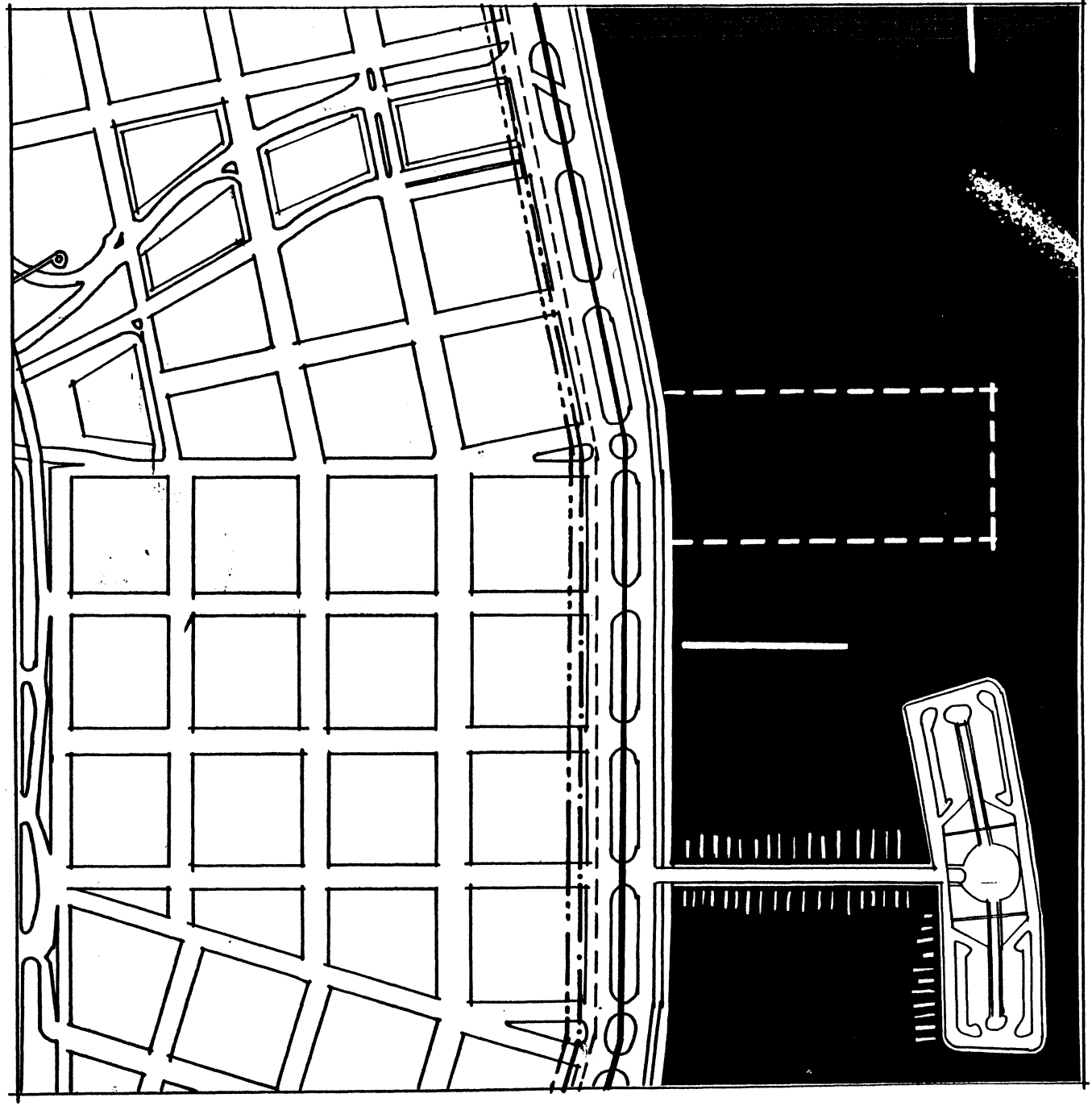
- 1) NOISE FROM AUTOMOBILE
ON SHORELINE BLVD FROM
6-8AM AND 4.30-6PM
- 2) NOISE FROM BOATS
ENTERING AND LEAVING
THE BREAK WATER (YACHT
BASIN)



THE TEXAS STATE AQUARIUM * CORPUS CHRISTI, TX.

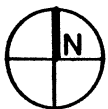
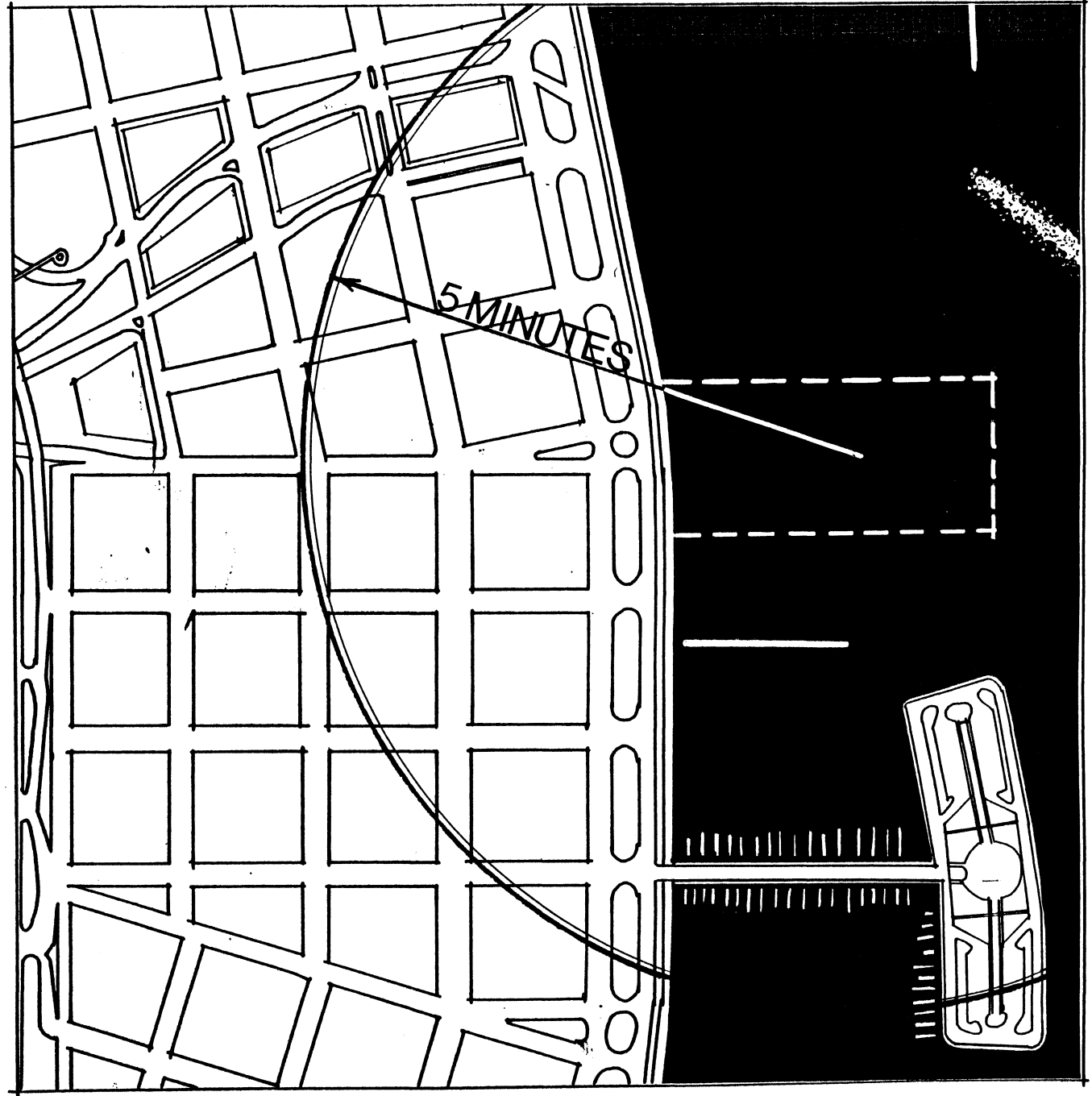
UTILITIES

- WATER
- · - GAS
- - - ELECTRICAL
- · · - SEWER



THE TEXAS STATE AQUARIUM * CORPUS CHRISTI, TX.

WALKING RADIUS



THE TEXAS STATE AQUARIUM * CORPUS CHRISTI, TX.

BAYFRONT MASTER PLAN

THE TEXAS STATE AQUARIUM IS LOCATED WITHIN THE ZONE IN THE MASTER PLAN CALLED 'MARINA'. THE IMPORTANCE OF THE MARINA IS RECOGNIZED IN VIRTUALLY ALL PLANNING STUDIES COMMISSIONED FOR THE AREA SINCE THE CONSTRUCTION OF THE LAND MASSES. ITS CONTINUED GROWTH, VITALITY, AND APPEAL IS A KEY ELEMENT IN THE FUTURE OF CORPUS CHRISTI AS A CITY WHICH OPENLY CELEBRATES ITS RELATIONSHIP WITH THE WATER, AND YET; THE IMMENSE POTENTIAL THE MARINA OFFERS IN TERMS OF RECREATIONAL OPPORTUNITY, IMAGE AND ECONOMIC VITALITY IS ONLY BEGINNING TO BE REALIZED. THE MAJOR OBSTACLE TO INTENSIFIED AND VARIED USE HAS BEEN THE FEAR OF INCREASED AUTOMOBILE CONGESTION ON THE LAND MASSES. THIS FEAR IS BASED ON THE LONG ACCEPTED ASSUMPTION THAT THE T AND L HEADS AND THEIR RESPECTIVE USES MUST BE SELF-SUFFICIENT IN PARKING... HIGHER STILL IS THE COST OF THE OPPORTUNITY LOST BY MAINTAINING THESE SUPERB WATER SURROUNDED ENVIRONMENTS FOR PARKING RATHER THAN FOR A MULTITUDE OF ATTRACTIVE PUBLIC AND COMMERCIAL USES FOR THE ENJOYMENT OF VISITORS AND RESIDENTS OF CORPUS CHRISTI. IT IS PARAMONT TO THE SUCCESSFUL ACCOMODATION OF CONVENTIONEERS AND THE LINKING AND REVITALIZATION OF THE DOWNTOWN, THAT A GENERAL INTENSIFICATION OF USE, INCLUDING A MAJOR PUBLIC OR SEMI-PUBLIC FACILITY OCCURS ON THE LAND MASSES IN THE SHORT TERM. THE UTILIZATION OF FUTURE AND EXISTING

THE TEXAS STATE AQUARIUM * CORPUS CHRISTI, TX.

BAYFRONT MASTER PLAN

DOWNTOWN PARKING FACILITIES WITH CONVENIENT TRANSPORTATION AND PEDESTRIAN ACCESS ACROSS SHORELINE BOULEVARD TO THE MARINA WOULD GREATLY RELIEVE ANY CONGESTION PROBLEMS AND WOULD ENCOURAGE A MUTUALLY BENEFICIAL INTERRELATIONSHIP BETWEEN DOWNTOWN AND THE MARINA AREA.

GOAL A TO ENCOURAGE AND ASSIST IN THE CREATION OF ADDITIONAL LAND MASSES IN THE MARINA, PRIMARILY FOR COMMERCIAL AND PUBLIC ACTIVITIES.

SPECIFIC POLICIES AND STRATEGIES INCLUDE:

- 1) INDUCE A NEW LAND MASS NORTH OF THE PEOPLES STREET T HEAD.
- 2) ENCOURAGE A PUBLIC USE AT THE SOUTH END OF THE SOUTH BASIN.
- 3) RESERVE THE NORTH BASIN AREA FOR THE ULTIMATE USE FOR ADDITIONAL LAND MASSES AND PUBLIC BOAT SLIPS.

GOAL B EXPAND ACTIVITY IN THE MARINA INCLUDING ADDITIONAL SLIPS AND COMMERCIAL ACTIVITIES.


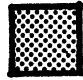

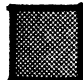
SPECIFIC POLICIES AND STRATEGIES INCLUDE:

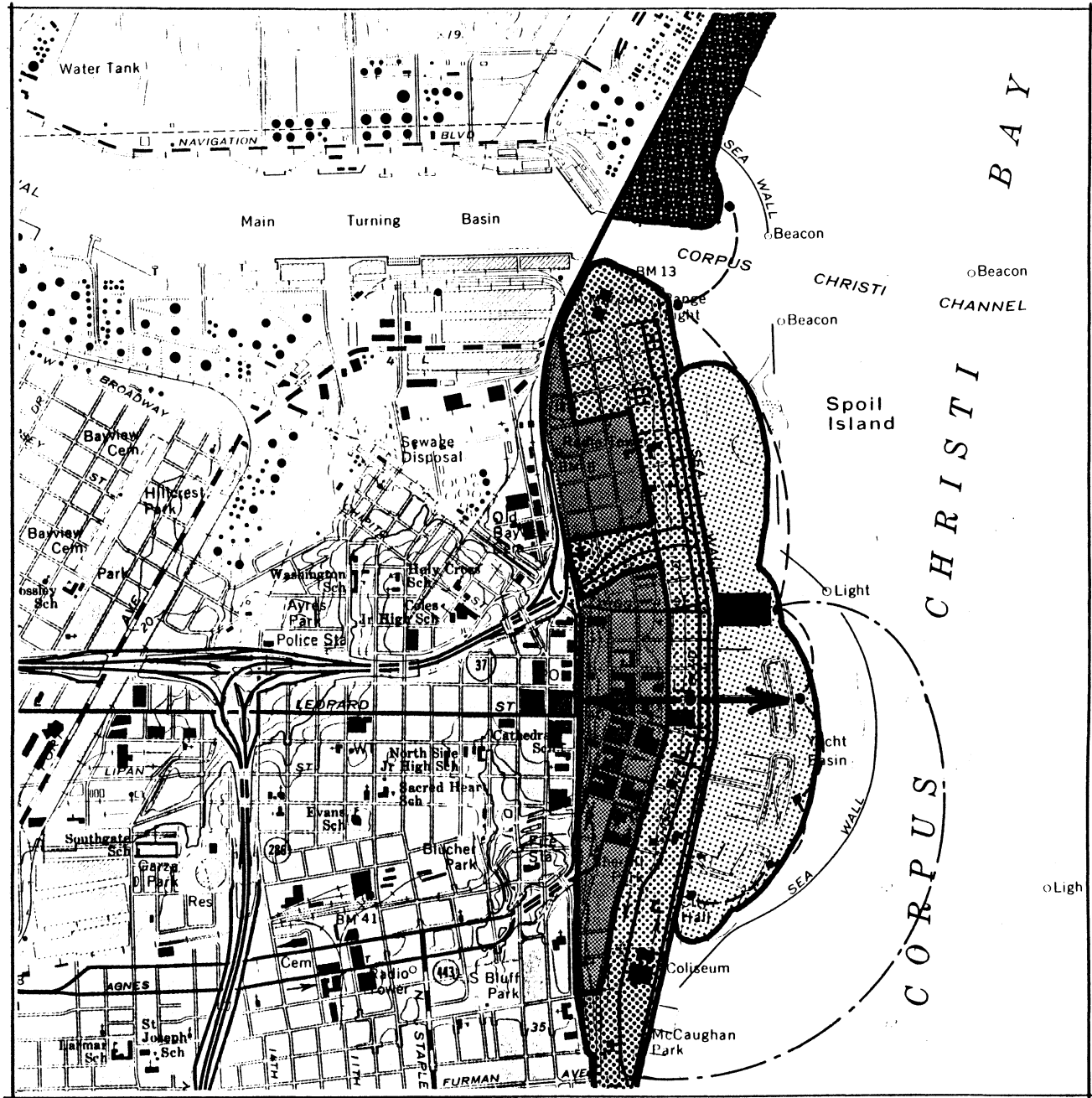
BAYFRONT MASTER PLAN

- 1) SMALL BOAT SAILING LOCATED IN THE SOUTH BASIN
- 2) WATER TAXI SERVICES SHOULD BE IMPLEMENTED
- 3) DEVELOPMENT OF A PUBLIC/PRIVATE ACTIVITY CENTER IN THE MARINA, WHICH INCLUDES TOUR BOATS PARTY BOATS, RESTAURANTS, WATERFRONT SHOPS, A MARITIME MUSEUM AND AQUARIUM.
- 4) DEVELOPMENT OF AN AQUARIUM ON A NEW LAND MASS NORTH OF THE PEOPLES T-HEAD.
- 5) PLAN AND PROMOTE INTERMEDIATE EVENTS AT SEVERAL POINTS AIMED AT PROVIDING A CONTINUITY OF LIFE STYLE AND PHYSICAL INTERACTION BETWEEN PEOPLE AND PLACES. (RESTAURANTS, SHOPS OVER WATER; LANDSCAPING WITH A VARIETY OF PLANTS, AND LIGHTS, BENCHES, AND SHADED AREAS.)
- 6) EXTENDED LIGHTING AND WALKWAY ON THE BREAKWATER FROM MCGEE BEACH TO THE MARINA FAIRWAY OPENING.
- 7) ESTABLISHED A CONTINUAL MAINTENANCE PROGRAM FOR BULKHEADS AND MARINA DREDGING.

(FROM THE BAYFRONT PLAN, CORPUS
CHRISTI TEXAS, MARCH 1984)

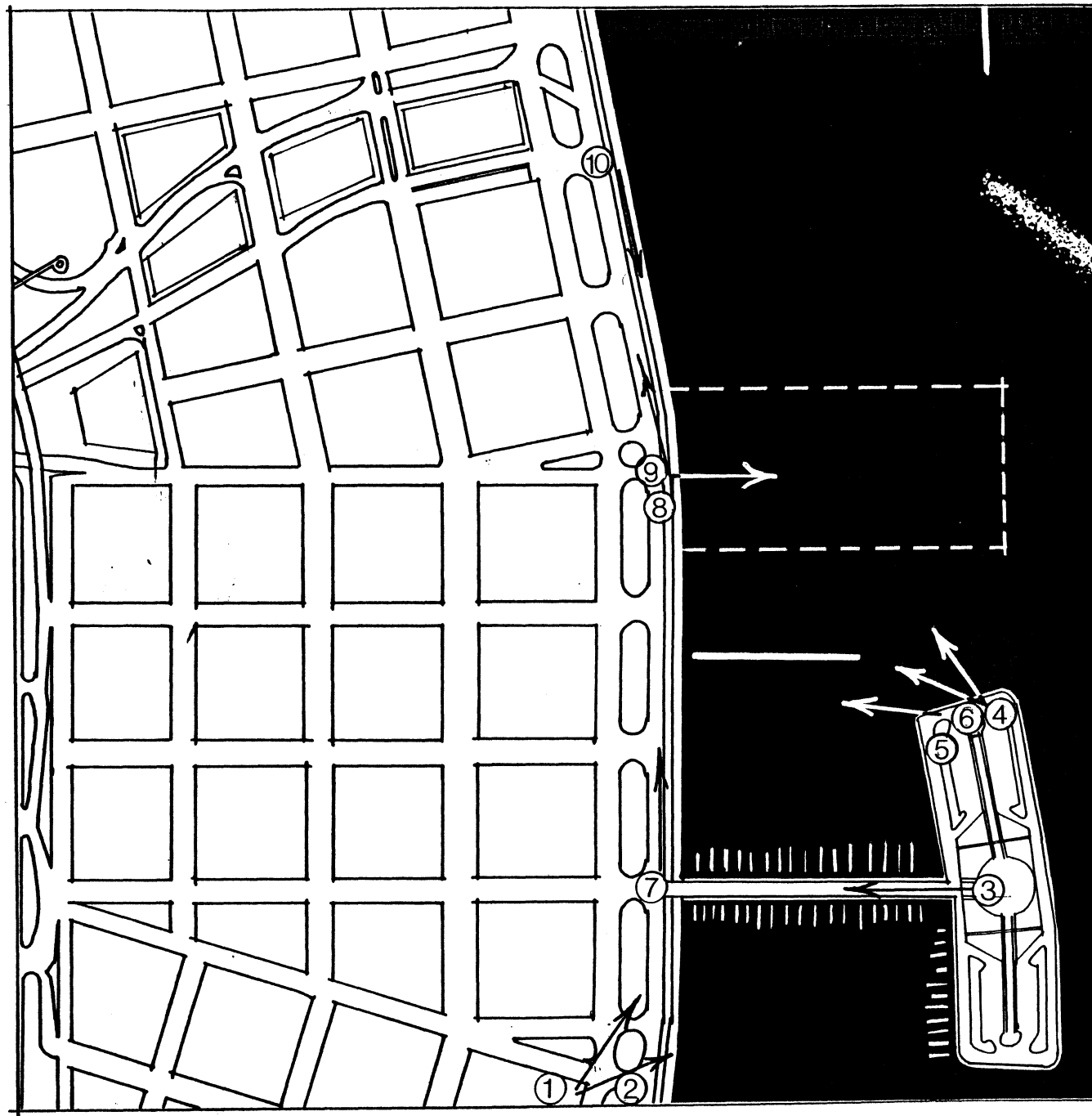
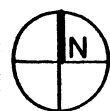
BAYFRONT MASTER PLAN

-  MARINA
-  PUBLIC SHORELINE
-  BEACH
-  C.B.D.



THE TEXAS STATE AQUARIUM * CORPUS CHRISTI, TX.

PHOTOGRAPHIC SURVEY



THE TEXAS STATE AQUARIUM * CORPUS CHRISTI, TX.

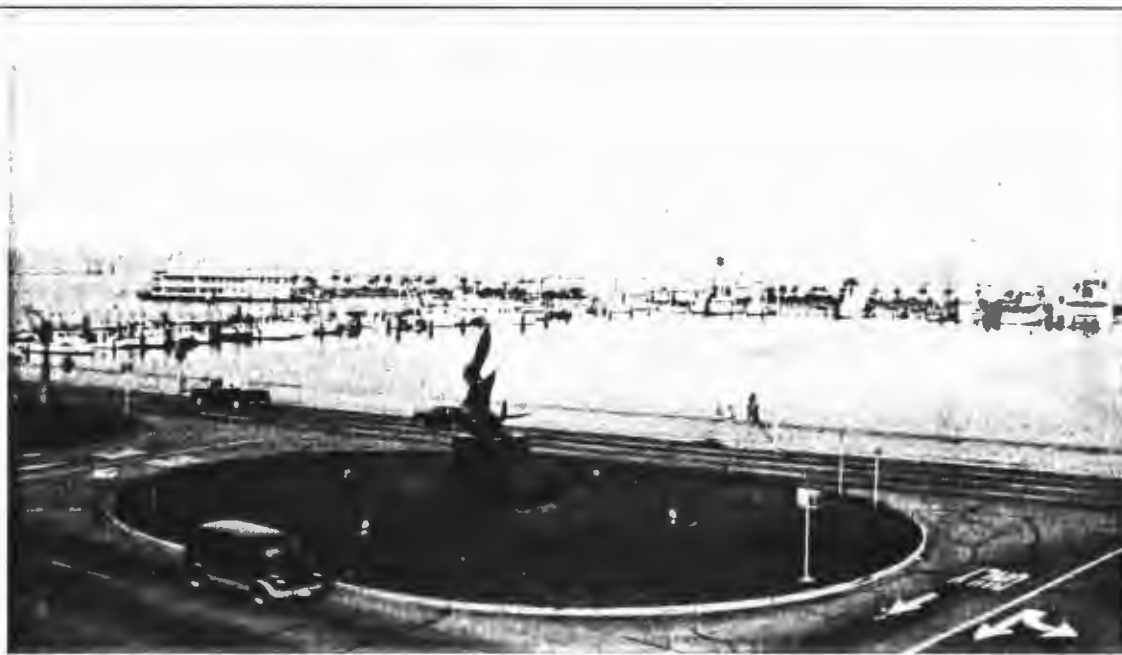
1

VIEW FROM FOUR STORIES UP
LOOKING OUT OVER THE SITE.
THE SITE IS ADJACENT TO
THE EXISTING T-HEAD AND
ACROSS THE SIX LANE
HIGHWAY.



2

THIS VIEW IS TAKEN FROM THE
SAME VANTAGE POINT AS ABOVE,
BUT LOOKING MORE SOUTH AND
DIRECTLY ONTO THE T-HEAD,
ADJACENT TO THE SITE, IN
IN THE FOREGROUND IS A
STATUE OF TWO MARLIN FISH,
SIMILAR TO THE ONE WEST OF
THE SITE.



THE TEXAS STATE AQUARIUM * CORPUS CHRISTI, TX.

3

THIS VIEW IS ON THE LAWRENCE ST. T-HEAD, IT GIVES THE GENERAL CHARACTER SURROUNDING THE SITE. FISH AND SHRIMP CAN BE BOUGHT DAILY FOR VERY LOW PRICES, AND YOU CAN BE ASSURED IT WAS JUST CAUGHT THAT MORNING. THE ATMOSPHERE IS ONE SIMILAR TO A MARKET PLACE.



4

THIS VIEW IS FROM THE POINT OF LAWRENCE ST. T-HEAD LOOKING TOWARDS AND BEYOND THE SITE, WHICH YOU CAN SEE THE HARBOR BRIDGE, CONVENTION CENTER, CORPUS CHRISTI ART MUSEUM, AND THE NORTH SHORELINE OF CORPUS CHRISTI BAY.



THE TEXAS STATE AQUARIUM * CORPUS CHRISTI, TX.

5

VIEW FROM THE LAWRENCE ST. HEAD LOOKING INLAND JUST SOUTH OF THE SITE, FROM RIGHT TO LEFT IS THE VACANT LOT WHERE A FUTURE 30 STORY OFFICE BUILDING WILL BE, THE TALL STRUCTURE TO THE LEFT OF THE LOT IS THE MARRIOTT HOTEL, IN THE BACKGROUND IS UPTOWN, AND TO THE LEFT OF THE HOTEL IS THE BANK OFFICE BUILDING.



6

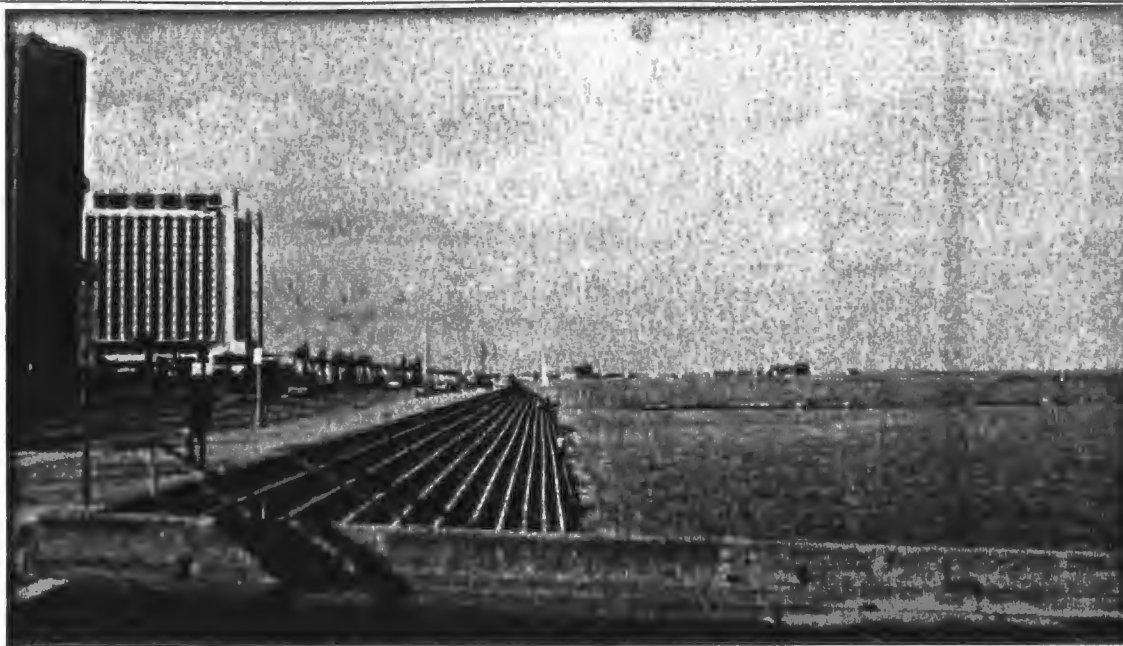
THIS VIEW IS TAKEN FROM THE SAME VANTAGE POINT AS ABOVE, BUT IS LOOKING MORE NORTH AND DIRECTLY AT THE SITE. THE BUILDING IS THE BERSHEY HOTEL, AND TO THE LEFT IS THE VACANT LOT FOR THE FUTURE OFFICE BUILDING.



THE TEXAS STATE AQUARIUM * CORPUS CHRISTI, TX.

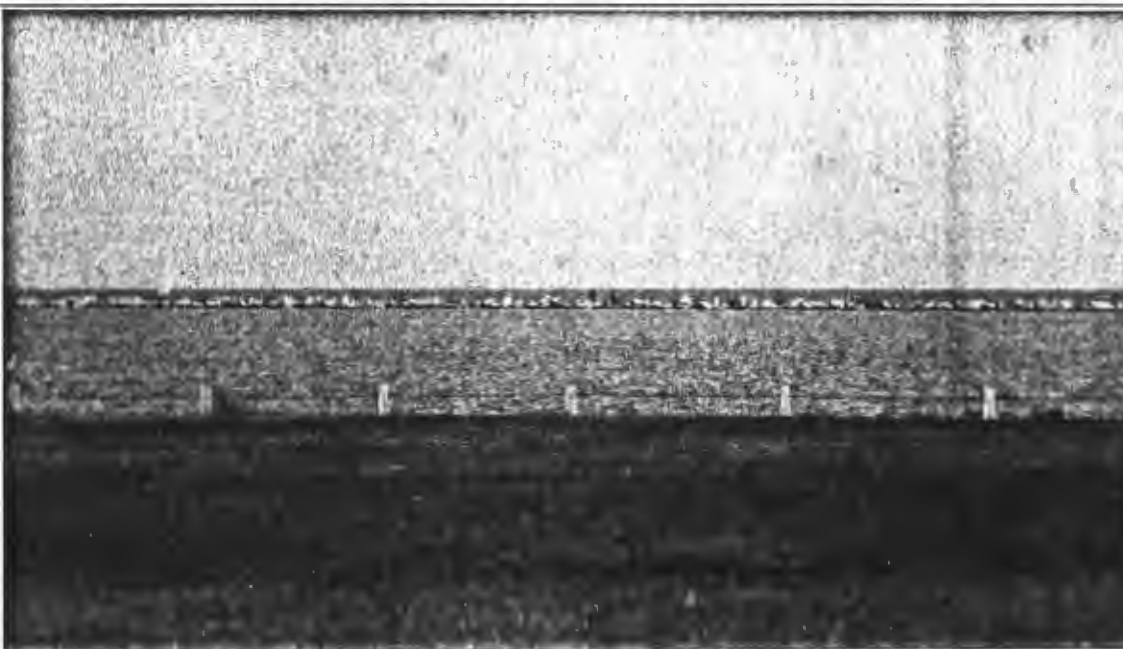
7

THIS VIEW IS FROM THE BASE OF THE LAWRENCE ST. T-HEAD LOOKING NORTH TOWARDS THE SITE, ALONG THE SEAWALL, WHICH IS USED QUITE OFTEN FOR FISHING SITTING, SUN-BATHING, ETC.



8

THIS VIEW IS FROM THE LAWRENCE ST. T-HEAD, LOOKING OUT TOWARDS CORPUS CHRISTI BAY, IN THE FOREGROUND IS THE BREAKWATER AND IN THE BACKGROUND, NO LAND MASS IS IN SIGHT, IT APPEARS TO BE OPEN TO THE SEA.



THE TEXAS STATE AQUARIUM * CORPUS CHRISTI, TX.

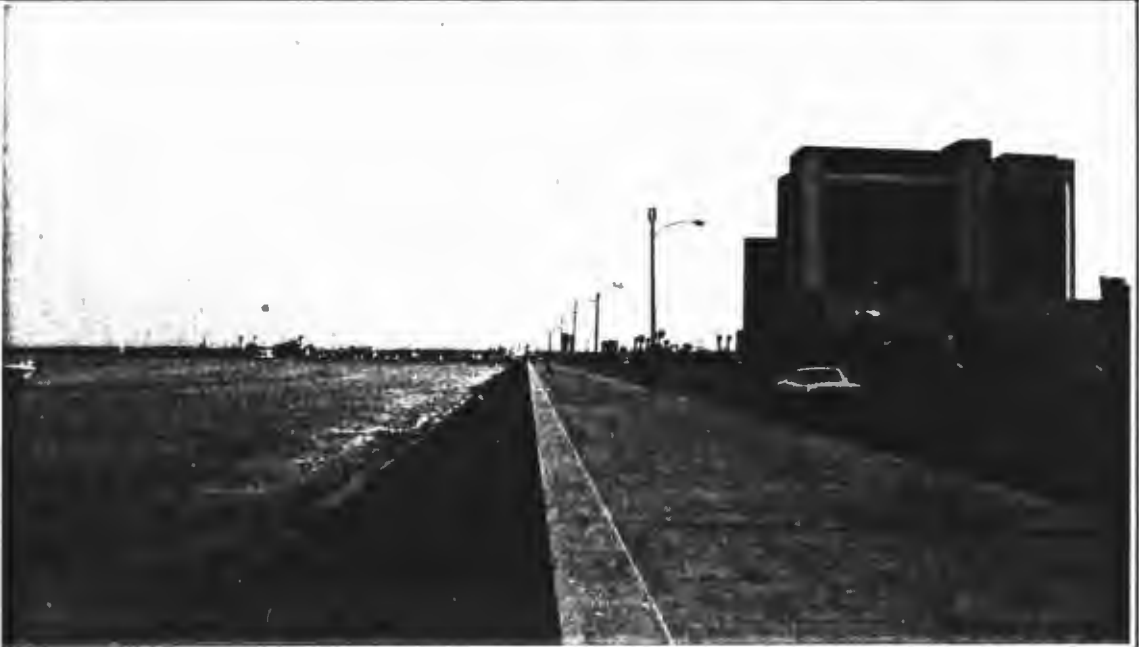
9

THIS VIEW IS TAKEN FROM THE MAIN PEDESTRIAN WALKWAY BESIDE THE SEAWALL, LOOKING NORTH TOWARDS THE HARBOR BRIDGE, THE CONVENTION CENTER AND THE ART MUSEUM.



10

THIS VIEW IS AT THE SAME VANTAGE POINT AS ABOVE, BUT LOOKING SOUTH TOWARDS THE SITE (ON THE LEFT), THE HERSHEY HOTEL ON THE RIGHT, AND THE LAWRENCE ST. T-HEAD IN THE BACKGROUND.



THE TEXAS STATE AQUARIUM * CORPUS CHRISTI, TX.

CLIMATIC DATA

CLIMATIC DATA SUMMARY

TEXAS, FROM "TEJAS" , AN INDIAN WORD MEANING FRIENDLY, HAS BEEN CALLED "THE CROSSROADS OF NORTH AMERICAN GEOLOGY." WITHIN THE STATES BOUNDRIES FOUR GREAT PHYSIOGRAPHIC SUBDIVISIONS OF THE NORTH AMERICAN CONTINENT COME TOGETHER. THESE ARE THE GREAT WESTERN PLAINS, THE GREAT WESTERN HIGH PLAINS, THE ROCKY MOUNTAIN REGION AND THE GULF COASTAL PLAIN. CORPUS CHRISTI IS SITUATED IN THE GULF COASTAL PLAIN, AND WITHIN THIS REGION THE CLIMATE IS CONTROLLED BY THE PERSISTENT SOUTHERLY AND SOUTH EASTERLY FLOW OF WARM TROPICAL MARITIME AIR FROM AROUND THE WESTWARD EXTENSION OF THE BERMUDA HIGH (GULF OF MEXICO). THIS AIR COMBINED WITH AN ADEQUATE RAINFALL PRODUCES A HUMID SUBTROPICAL CLIMATE WITH HOT SUMMERS FOR THE COASTAL REGION OF TEXAS.

IN THE COASTAL REGION SECTION, RAIN OCCURS MOST FREQUENTLY IN THE LATE SPRING AND THEN PEAKS AGAIN IN SEPTEMBER. EXCEPT FOR "FREAK" OCCURENCES, SIGNIFICANT AMOUNTS OF SNOW-FALL ARE CONFINED ALMOST ENTIRELY TO THE MOUNTAINOUS TRAN-PECOS REGION AND THE HIGH PLAINS.

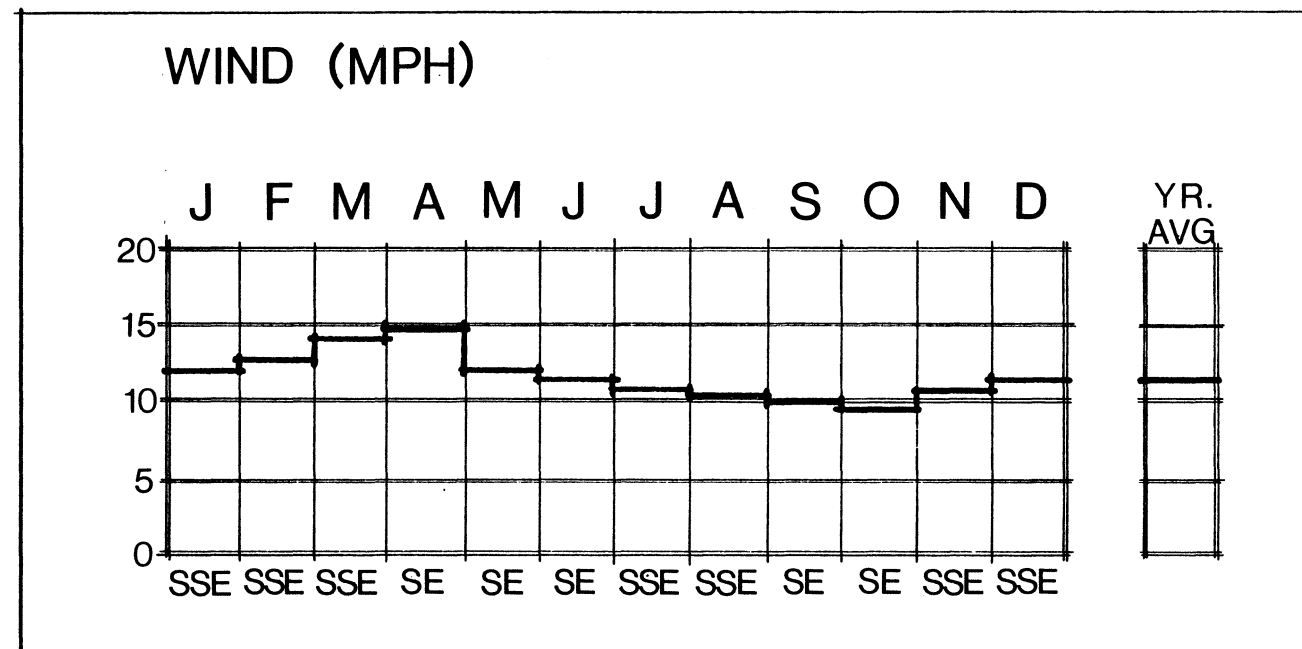
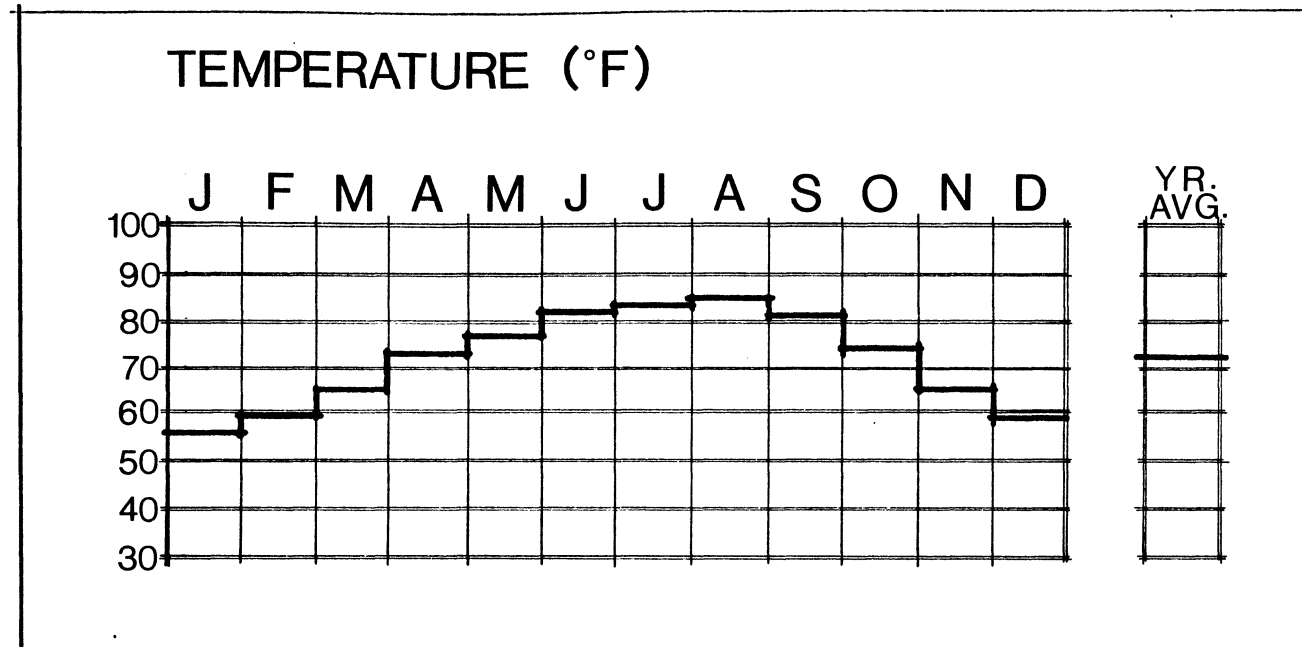
THE RELATIVE HUMIDITY IS HIGHEST IN THE COASTAL REGION, AND ON THE WHOLE, THERE IS A RANGE OF APPROXIMATELY 10% BETWEEN THE HIGH SUMMER AND THE LOW WINTER HUMIDITY AVERAGES. AS TEMPERATURES INCREASE, RELATIVE HUMIDITIES GENERALLY DECREASE, AND WHEN TEMPERATURE FALL THE RELATIVE HUMIDITY TENDS TO RISE.

CLIMATIC DATA SUMMARY

THE LOWEST RELATIVE HUMIDITIES ARE FOUND GENERALLY IN THE DAYTIME, ESPECIALLY IN THE AFTERNOON, WHILE THE HIGHEST VALUES USUALLY OCCUR IN THE EARLY MORNING.

TROPICAL CYCLONES ARE A THREAT TO ALL SECTIONS OF THE TEXAS COAST DURING THE SUMMER AND FALL. FROM 1885 TO 1968, INCLUSIVE, 69 TROPICAL STORMS OF ALL INTENSITIES HAVE AFFECTED THE TEXAS COAST. THOSE TROPICAL CYCLONES WITH SUSTAINED WIND SPEEDS OVER 64 KNOTS (74 MPH) OR GREATER ARE KNOWN AS HURRICANES. VIRTUALLY ALL TROPICAL CYCLONES THAT AFFECT THE TEXAS COAST ORIGINATE IN THE GULF OF MEXICO, THE CARBBEAN SEA OR THE SOUTHERN PART OF THE NORTH ATLANTIC OCEAN. THE SEASON EXTENDS FROM JUNE THROUGH TO OCTOBER; STORMS ARE MOST FREQUENT IN AUGUST AND SEPTEMBER AND RARELY AFFECT THE TEXAS COAST AFTER THE FIRST OF OCTOBER. THE AVERAGE FREQUENCY FOR THE ENTIRE TEXAS COAST IS APPROXIMATELY ONE PER YEAR.

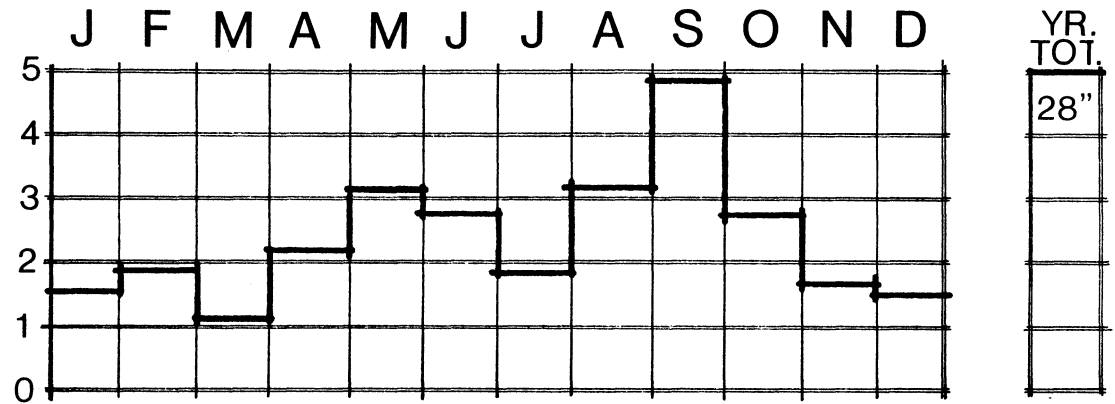
CLIMATIC DATA



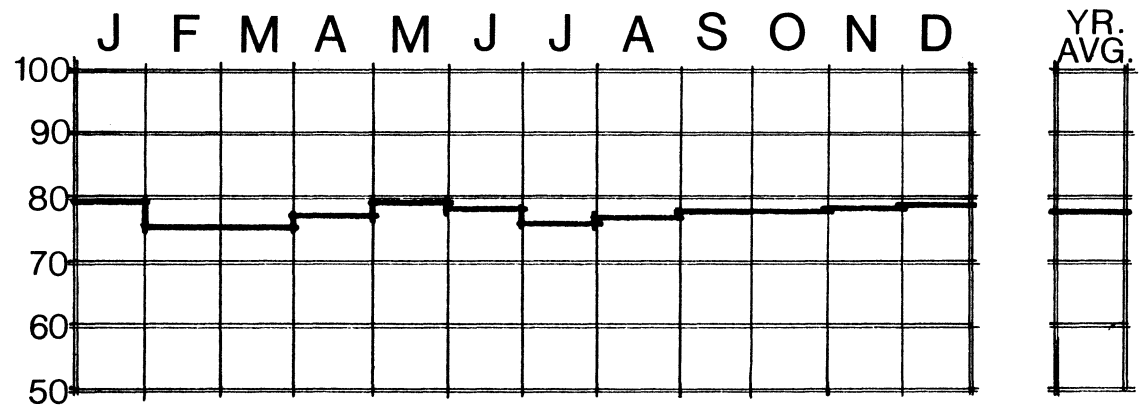
THE TEXAS STATE AQUARIUM * CORPUS CHRISTI, TX.

CLIMATIC DATA

PERCIPITATION (INCHES)



HUMIDITY (%)



THE TEXAS STATE AQUARIUM * CORPUS CHRISTI, TX.

GENERAL CRITERIA

DISPLAY TANKS

EACH EXHIBIT TANK 1000 GALLONS OR LESS SHOULD BE OUTFITTED WITH ITS OWN BANK OF ELECTRICAL BOXES. TWO RECEPTACLES FOR PUMPS AND HEATERS AND FOUR RECEPTACLES FOR LIGHTING (TO MAIN SWITCH OR TIMER) ARE RECOMMENDED.

A CENTRAL LIGHT TIMER SYSTEM IS SUGGESTED OVER INDIVIDUAL TIMERS TO MORE EASILY ACCOMODATE EVENING SOCIAL FUNCTIONS, CLASSES, ETC.

CONCRETE SURFACE CAN BE DAMAGED BY FRESHWATER AND ESPECIALLY SEAWATER. ALL TANKS SHOULD BE EPOXY COATED INSIDE AND OUT OR WHERE EVER SPLASHING MAY OCCUR.

CONCRETE AQUARIUMS ARE PRONE TO STRUCTURAL DAMAGE FROM FRESHWATER AND ESPECIALLY SEAWATER. EPOXY COATED REINFORCING BARS WITH STAINLESS STEEL TIES ARE BEST FOR THE LONGEST SERVICE LIFE.

TANKS WITH A CAPACITY OF LESS THAN 1000 GALLONS SHOULD BE PORTABLE. TANKS WITH A CAPACITY OF MORE THAN 1000 GALLONS SHOULD BE ISOLATED FROM THE BUILDING STRUCTURAL SYSTEM.

ALL TANK INTERIOR SURFACES SHOULD BE SMOOTH FOR EASIBILITY OF MAINTENANCE.

EXHIBIT WORK SPACE

CLEAR HEADROOM OF SUFFICIENT HEIGHT SHOULD BE PROVIDED ABOVE ALL EXHIBIT TANKS AND FILTERS.

ENOUGH SPACE SHOULD BE PROVIDED OVER EXHIBIT TANKS TO ALLOW FOR LIGHTING FIXTURE FLEXIBILITY.

OVERHEAD ELECTRICAL OUTLETS, WELL AWAY FROM SPLASH AND SPILL AREAS, ARE RECOMMENDED OVER LARGE EXHIBIT TANKS. LIGHTING FOR FILTERS AND RESERVES CAN BE PROVIDED AS WELL AS 110 V AND 220 V OUTLETS.

EXHIBIT BACK-UP CIRCULATION BEHIND THE EXHIBIT SHOULD BE ELEVATED ABOVE THE LEVEL OF THE PUBLIC FLOOR. IN THIS WAY MOST OF THE TANKS WILL BE AT WAIST LEVEL TO THE AQUARIST WORKING IN THE SERVICE CORRIDOR.

ALL EXHIBIT WORK AREAS MUST BE CAREFULLY DESIGNED TO ALLOW FOR EASY MOVEMENT OF HEAVY LOADS INTO THE TANKS.

THE USE OF RAMPS INSTEAD OF STEPS IN ALL SERVICE CORRIDORS FOR HAND CART TRAVEL IS REQUIRED.

MINIMUM SERVICE CORRIDOR WIDTH OF FIVE FEET IS REQUIRED, GIVING PASSAGE AT THE BACK OF ALL DISPLAY TANKS IN ORDER

**EXHIBIT
WORK
SPACE**

TO PERMIT THE EASY TRANSPORT OF HAND CARTS AND INCOMING SPECIMENS. NO OBSTACLES SHOULD BE LOCATED IN THIS PASSAGEWAY.

GOOD HEADROOM ABOVE ALL TANKS SO THAT THE TANK CAN BE CLEANED AND SERVICED EASILY AND HEAVY SPECIMENS CAN EASILY BE MOVED IN AND OUT OF THEM.

THE WORK AREA FLOOR SHOULD BE ABOUT 2 1/2 FEET HIGHER THAN THE PUBLIC AREA FLOOR. THIS IS DICTATED BY THE HEIGHT OF THE AVERAGE VISITOR LOOKING INTO THE DISPLAY TANK, MOST DISPLAY TANKS ARE PLACED ON THE FLOOR OF THE WORK AREA. OBVIOUSLY VERY SMALL AND VERY LARGE TANKS WILL HAVE TO BE PLACED DIFFERENTLY.

STORAGE SPACE FOR TOOLS, NETS, CHEMICALS, AND OTHER ITEMS IN FREQUENT USE SHOULD BE PROVIDED.

HOLDING TANKS FOR QUARANTINE OF NEW SPECIMENS OR FOR SURPLUS SPECIMENS SHOULD BE PLACED ALONG THE REAR WALL OF THE WORK AREA OR IN ANY OTHER CONVENIENT LOCATION.

THE VARIOUS MAIN SUPPLY PIPES FROM THE RESERVOIRS SHOULD EXTEND AROUND THE AQUARIUM OVER THE DISPLAY TANKS. THESE

EXHIBIT
WORK
SPACE

SHOULD BE A MINIMUM OF SEVEN FEET ABOVE THE WORK AREA FLOOR AND SHOULD HAVE FREQUENT TAP VALVES FROM WHICH, BY FLEXIBLE HOSE, REPLACEMENT WATER MAY BE FED TO THE TANKS. IT IS IMPORTANT TO HAVE SHUT-OFF VALVES CONVENIENTLY LOCATED ALONG THE MAJOR SUPPLY LINES TO FACILITATE PLUMBING REPAIRS.

DEEP WASH BASINS MADE OF FIBREGLASS, WITH HOT AND COLF WATER AND TOWEL BOXES, SHOULD BE CONVENIENTLY LOCATED IN THE WORK AREAS. THESE BASINS MUST BE LARGE ENOUGH FOR THE CLEANING OF ROCKS AND CORALS TO BE EXHIBITED IN THE TANKS.

MATERIALS

THE HIGHLY HUMID INTERIOR ATMOSPHERE OF AQUARIUMS REQUIRES THE VERY BEST OF VAPOR BARRIERS ON POSSIBLE CONDENSATE SURFACES. INSULATION MATERIALS ARE ESPECIALLY PRONE TO COLLAPSE AND STRUCTURAL DAMAGE, IT IS A VERY REAL POSSIBILITY I-BEAMS ARE APT TO FORM CONDENSATES WHICH MAY DRIP INTO THE TANKS, ON FIXTURES OR EQUIPMENT. VAPOR BARRIERS HAVE ALSO BEEN SUGGESTED ON INTERIOR BLOCK AND MORTAR WALLS TO PRESERVE MORTAR JOINTS FROM DETERIORIZATION.

MOISTURE SEEPAGE THROUGH CONCRETE AQUARIUM WALLS CAN CAUSE WARPAGE PROBLEMS WITH EXTERIOR SURFACE WALLS. WATERPROOF MATERIALS (SUCH AS STYROFOAM BACKED FORMICA) OR BREATHABLE FABRIC (SUCH AS CARPETING) ARE USEFUL FOR TANK FRONTS.

CARPET ON INTERIOR WALLS GREATLY REDUCES NOISE LEVELS FROM LARGE GROUPS AND ENHANCE THE EFFECTS OF THE "SILENT WORLD".

IN GENERAL ALL MATERIALS THAT COME IN CONTACT WITH WATER OR HIGH HUMIDITY SHOULD BE NON-CORROSIVE AND NON-TOXIC.

LIGHTING

FLUORESCENT FIXTURES, ESPECIALLY OVER SEA WATER TANKS,
SHOULD BE OF WEATHERPROOF PLASTIC FOR EXTENDED SERVICE LIFE.

EMERGENCY LIGHTING IS EXTREMELY IMPORTANT SINCE MOST
AQUARIUMS HAVE LITTLE IF ANY NATURAL LIGHTING.

WHEREVER POSSIBLE, OVERHEAD OR WALL MOUNTED REAR-LIT GRAPHIC
PANELS SHOULD UTILIZE STANDARD FIXTURES AND BULBS.

NO NATURAL LIGHT SHOULD ENTER THE MAIN GALLERY AS IT IS TOO
DIFFICULT TO CONTROL AND CREATES TOO MUCH REFLECTION. THERE
SHOULD BE WELL DESIGNED ARTIFICIAL LIGHTING IN THE PUBLIC
SPACE AT A LOWER LEVEL OF INTENSITY THAN THE LIGHTING THAT
EMANATES FROM THE TANKS AND FROM THE GRAPHICS.

LIGHTING OF THE EXTERIOR OF THE BUILDING AT NIGHT WILL MAKE
IT A NIGHT TIME ATTRACTION TO THE PUBLIC.

PUBLIC CIRCULATION

MONOTOMY IS TO BE AVOIDED IN THE PLACEMENT OF DISPLAY TANKS. THEY SHOULD NOT BE LINED UP LIKE RAILWAY CAR WINDOWS. SOME TANKS CAN BE PLACED AT AN ANGLE TO VIEWERS PATH. ALCOVES AND JUT-OUTS WILL PROVIDE VARIETY AND SURPRISE, AND CAN SERVE AS DIVIDERS BETWEEN SPECIAL EXHIBITS.

THE IRREGULAR PERIMETER OF THE GALLERY WILL PROVIDE A RELATIVELY LARGE SURFACE THUS PERMITTING MORE PEOPLE TO VIEW THE EXHIBITS THAN WOULD BE POSSIBLE WITH FOUR STRAIGHT WALLS.

A SYSTEM OF RAMPS SHOULD BE USED INSTEAD OF STAIRS. A DIRECTIONAL CIRCULATION SYSTEM MUCH LIKE THE BALTIMORE AQUARIUM IS DESIRABLE TO MINIMIZE CONFLICTS AND PROVIDE A STORY-BOOK LIKE PRESENTATION OF THE AQUARIUM.

RESTING AREAS ARE DESIRABLE. COMFORTABLE BENCHES IN THE PUBLIC AREAS ARE VERY MUCH APPRECIATED BY VISITORS. THE LOCATION OF THESE BENCHES SHOULD BE THOUGHT OUT IN TERMS OF VIEWING THE EXHIBITS.

VIEWING GLASS

THE TYPE OF GLASS USED FOR THE LARGE EXHIBIT TANKS SHOULD BE DETERMINED EARLY. THE METHOD OF SEALING SHOULD ALSO BE INVESTIGATED. SOME AQUARIUMS HAVE BEEN EXPERIENCING DIFFICULTY IN THIS AREA. THE DESIGN SHOULD BE DEVELOPED WELL BEFORE THE FINAL PLANS ARE DRAWN.

MINIMUM MULLION WIDTH SHOULD BE USED TO ENHANCE UNOBSTRUCTED VIEWS, BUT MUST BE CONSISTENT WITH WATER PRESSURES.

REFLECTION AND GLARE ON THE GLASS SHOULD BE AVOIDED THROUGH THE USE OF AQUARIUM (INTERNAL) LIGHTING AND VERY LITTLE CIRCULATION LIGHTING.

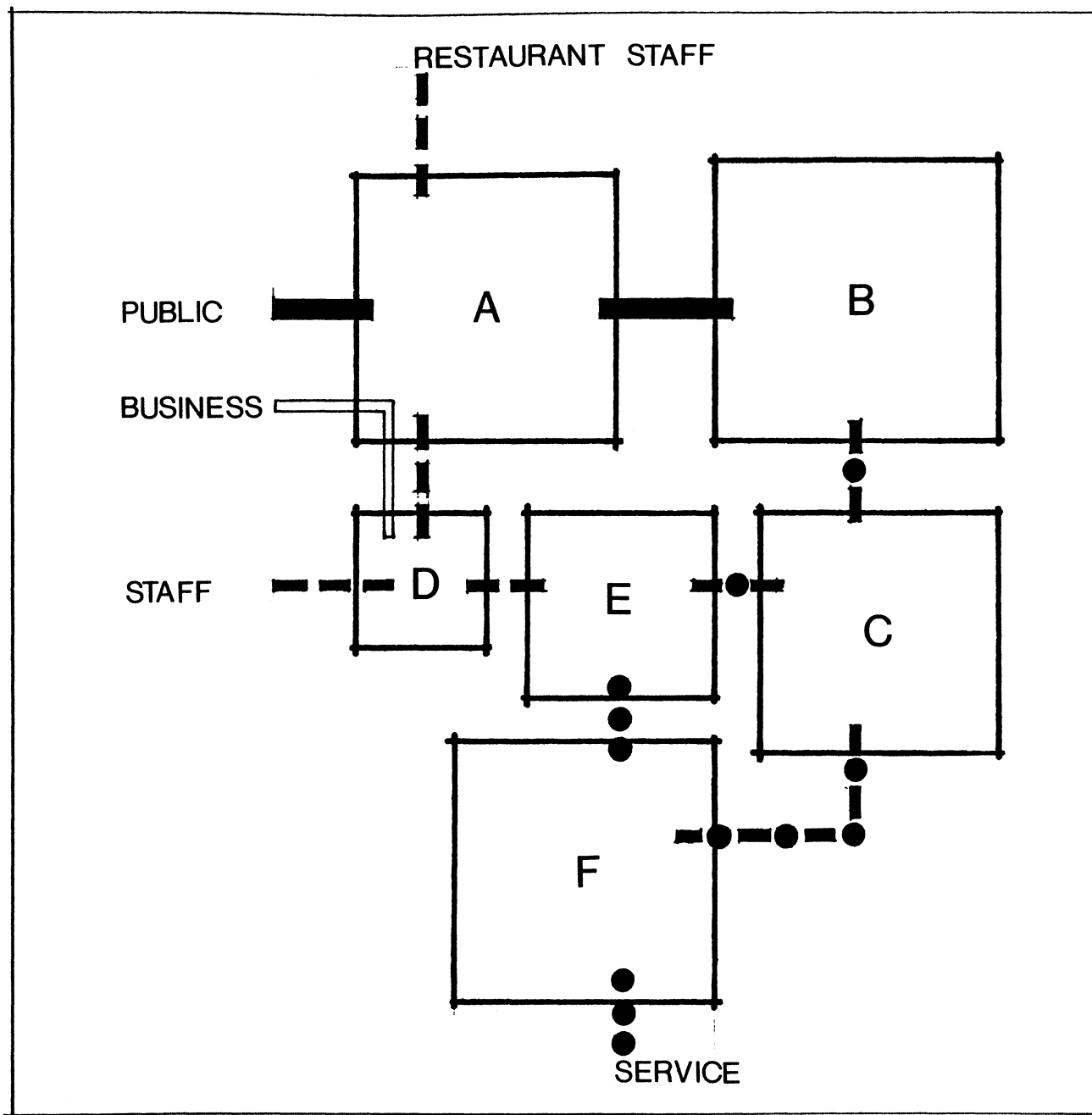
SPACE REQUIREMENTS

COMPLEX ORGANIZATION

COMPLEX ORGANIZATION

A) LOBBY/PUBLIC FACILITIES	17,450 sq. FT.
B) EXHIBITS	20,115 sq. FT.
C) CURITORIAL	14,394 sq. FT.
D) ADMINISTRATION	5,485 sq. FT.
E) RESEARCH	10,050 sq. FT.
F) OPERATIONS	<u>23,950</u> sq. FT.
SUBTOTAL	91,444 sq. FT.
15% CIRCULATION	<u>13,716</u> sq. FT.
TOTAL	105,160 sq. FT.

COMPLEX
FUNCTIONAL
RELATIONSHIP
DIAGRAM

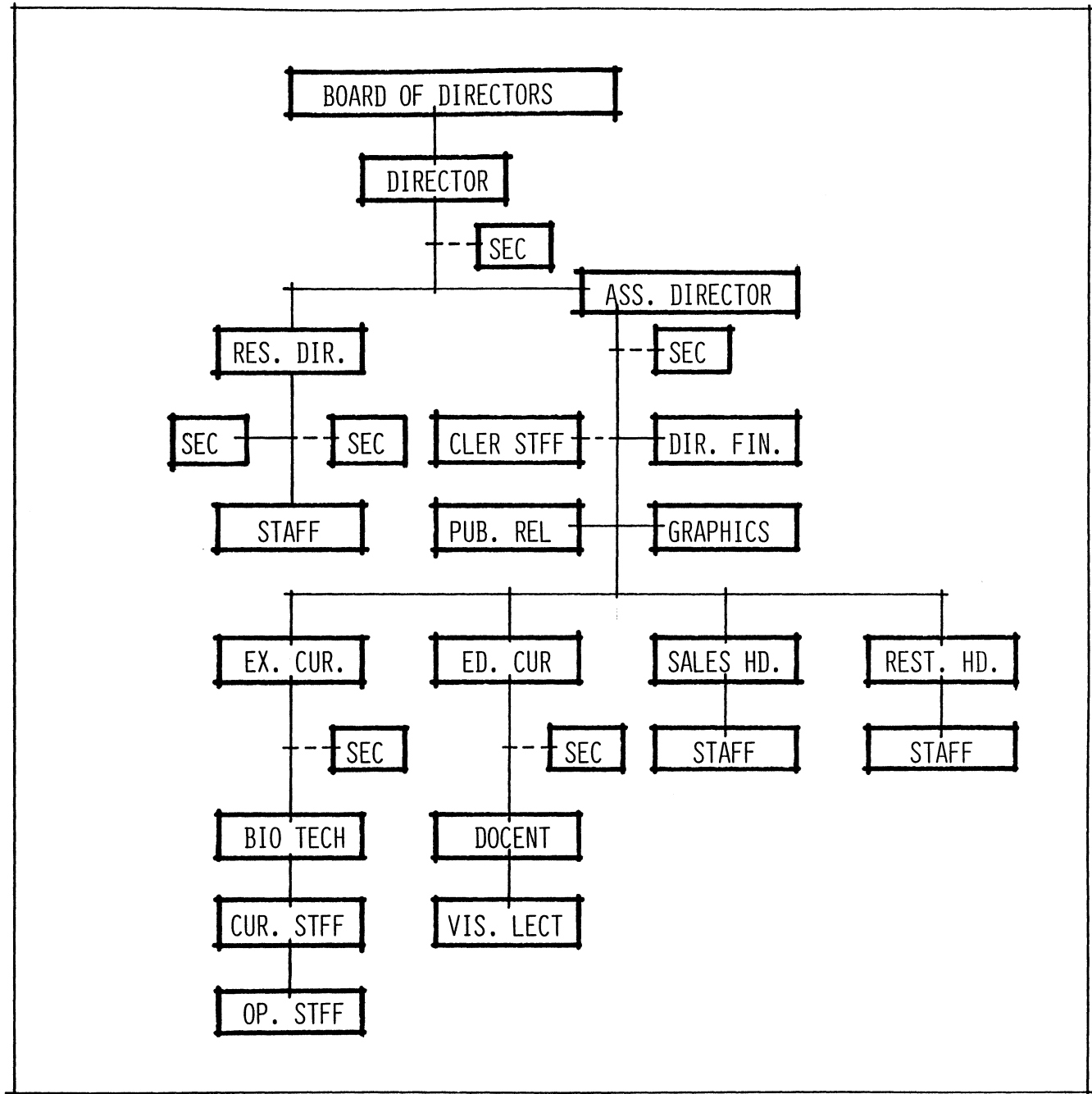


LEGEND



THE TEXAS STATE AQUARIUM * CORPUS CHRISTI, TX.

ADMINISTRATIVE RELATIONSHIP



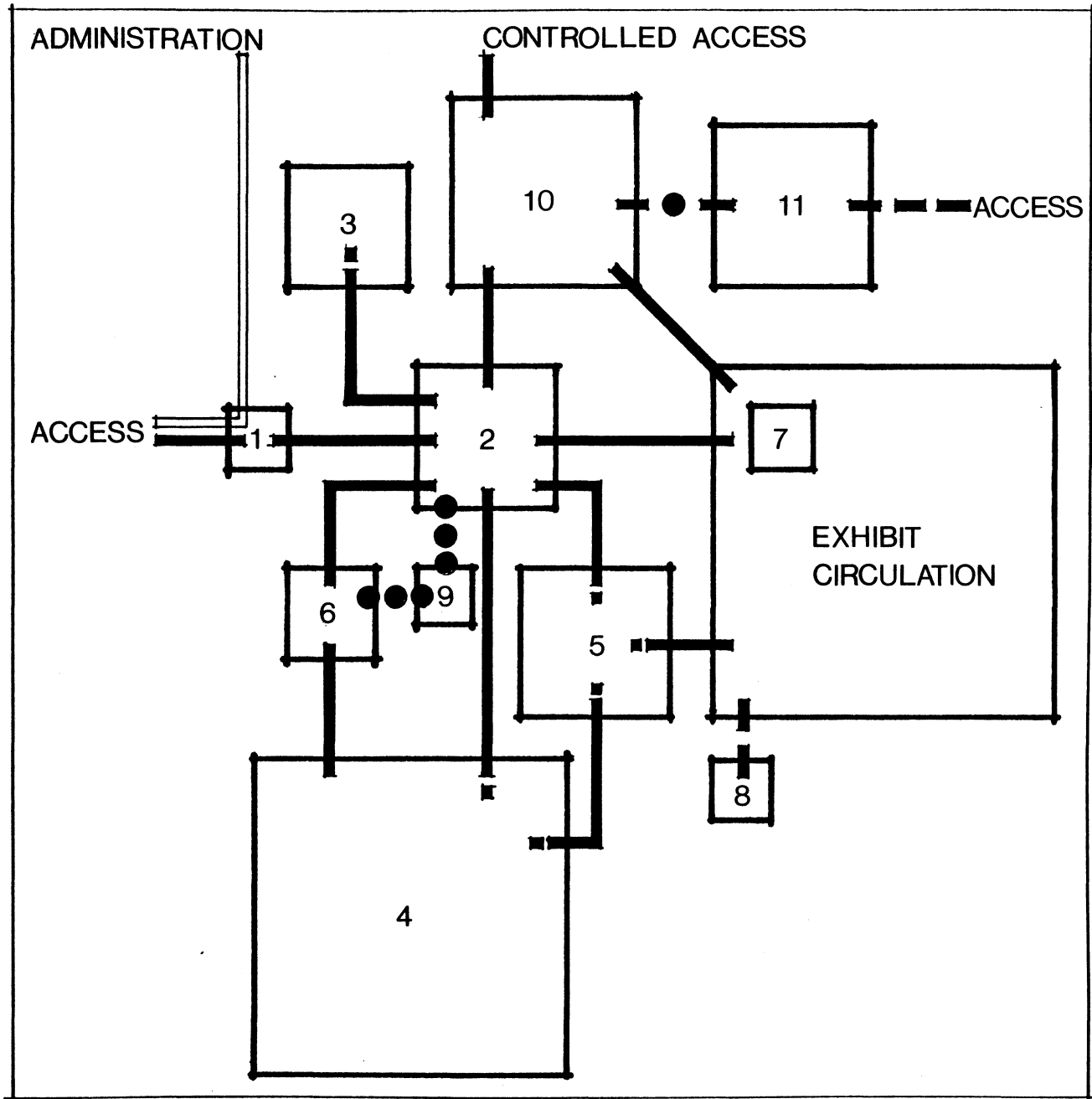
THE TEXAS STATE AQUARIUM * CORPUS CHRISTI, TX.

LOBBY/PUBLIC FACILITIES

A
LOBBY
PUBLIC
FACILITIES

A 1	TICKET BOOTH	250
A 2	LOBBY	2000
A 3.1	GIFT/BOOKSHOP (SALES)	750
A 3.2	OFFICE	250
A 3.3	STORAGE	500
A 4.1	AUDITORIUM	3750
A 4.2	PROJECTION ROOM	200
A 4.3	AUDITORIUM SUPPORT	300
A 5.1	CLASSROOM	2000
A 5.2	STORAGE	100
A 6	TOILETS	1200
A 7	INTRODUCTORY THEATER	1000
A 8	SECURITY OFFICE	300
A 9	JANITORIAL ROOM	80
A 10.1	CAFE/DINING ROOM	2500
A 10.2	BAR	150
A 11.1	KITCHEN	500
A 11.2	SERVERY	800
A 11.3	STORAGE	280
A 11.4	FREEZER ROOM	150
A 11.5	OFFICE	150
A 11.6	TOILETS	160
A 11.7	JANITORIAL ROOM	80
		17450

FUNCTIONAL RELATIONSHIP DIAGRAM



LEGEND

PUBLIC	
STAFF	
SERVICE	
STAFF/SERVICE	
BUSINESS	

THE TEXAS STATE AQUARIUM * CORPUS CHRISTI, TX.

A1 TICKET BOOTH

USER: VISITORS

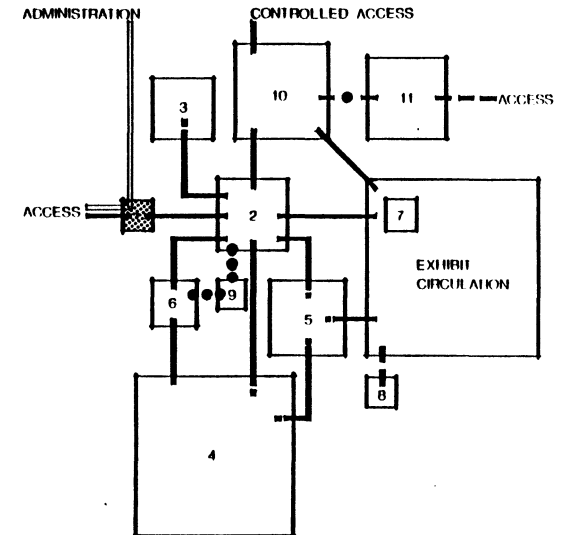
FUNCTION:

- PROVIDE CONTROLLED ACCESS INTO THE COMPLEX.
- TO RECEIVE MONIES FROM VISITORS.

SPECIAL CONSIDERATIONS:

- ALLOW LARGE GROUP ENTRY AS WELL AS INDIVIDUAL ENTRY.

BUBBLE DIAGRAM



- 1 TICKET BOOTH
- 2 LOBBY
- 3.1 GIFT/BOOKSHOP(SALES)
- 3.2 OFFICE
- 3.3 STORAGE
- 4.1 AUDITORIUM
- 4.2 PROJECTION ROOM
- 4.3 AUDITORIUM SUPPORT
- 5.1 CLASSROOM
- 5.2 STORAGE
- 6 TOILETS
- 7 INTRODUCTORY THEATER
- 8 SECURITY OFFICE
- 9 JANITORIAL ROOM
- 10.1 CAFE/DINING ROOM
- 10.2 BAR
- 11.1 KITCHEN
- 11.2 SERVERY
- 11.3 STORAGE
- 11.4 FREEZER
- 11.5 OFFICE
- 11.6 TOILETS
- 11.7 JANITORIAL ROOM

AREA: 250 SF

HEIGHT: 8-10 FT

FINISHES IMAGE: RELAXED

CEILING: ACOUSTICAL

FLOOR: SOFT- CARPET

WALLS: SOFT AND HARD

SYSTEMS HVAC: MULTI ZONE- LOW VEL **PLUMBING:** NONE

LIGHTING: AMBIENT

FURNITURE/EQUIP.: CASH REGISTERS, SMALL VAULT

A2 LOBBY

USER: VISITORS, LARGE GROUPS

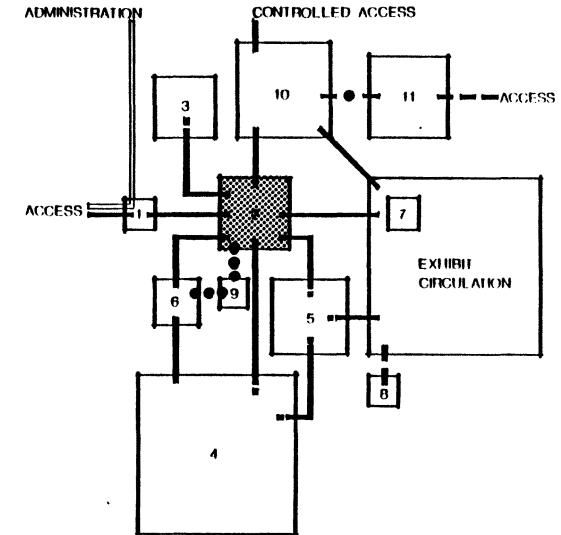
FUNCTION:

- TO SERVE AS AN AREA TO ASSEMBLE AND ORIENT VISITORS.
- TO SERVE AS AN INFORMATION AREA.

SPECIAL CONSIDERATIONS:

- SHOULD HAVE A SMOOTH FLOW TO AND FROM THE INFORMATION DESK, EXHIBITS, AUDITORIUM AND REST ROOMS.
- SHOULD PROVIDE GOOD FIRST INTERIOR IMAGES (IMPRESSIONS)

BUBBLE DIAGRAM



- 1 TICKET BOOTH
- 2 LOBBY
- 3.1 GIFT/BOOKSHOP(SALES)
- 3.2 OFFICE
- 3.3 STORAGE
- 4.1 AUDITORIUM
- 4.2 PROJECTION ROOM
- 4.3 AUDITORIUM SUPPORT
- 5.1 CLASSROOM
- 5.2 STORAGE
- 6 TOILETS
- 7 INTRODUCTORY THEATER
- 8 SECURITY OFFICE
- 9 JANITORIAL ROOM
- 10.1 CAFE/DINING ROOM
- 10.2 BAR
- 11.1 KITCHEN
- 11.2 SERVERY
- 11.3 STORAGE
- 11.4 FREEZER
- 11.5 OFFICE
- 11.6 TOILETS
- 11.7 JANITORIAL ROOM

AREA: 2000 SF

HEIGHT: VARIABLE

FINISHES IMAGE: INVITING, STRONG **CEILING:** VARIABLE

FLOOR: HARD- TILE OR STONE **WALLS:** SOFT AND HARD

SYSTEMS HVAC: MULTI ZONE- LOW VEL **PLUMBING:** NONE

LIGHTING: DAYLIGHT/INDIRECT AND AMBIENT

FURNITURE/EQUIP.: INFORMATION DESK, SEATING

A3.1 GIFT/BOOKSHOP SALES

USER: SALES STAFF AND VISITORS

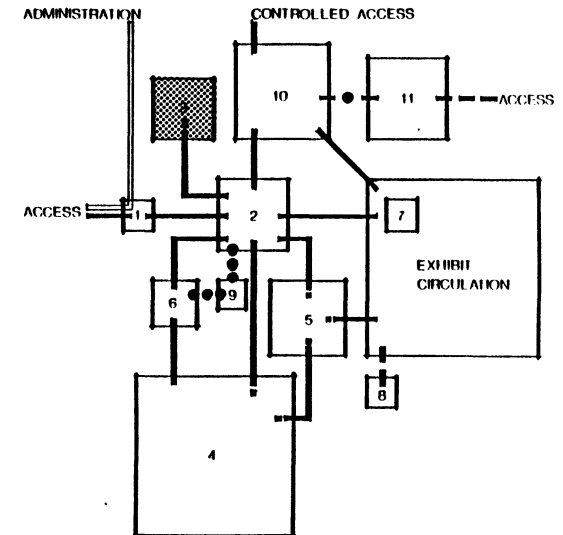
FUNCTION:

- SERVES AS LOCATION FOR VISITORS TO BUY MERCHANDISE RELATING TO THE AQUARIUM OR THE OCEAN IN GENERAL.

SPECIAL CONSIDERATIONS:

- SHOULD BE LOW KEY, BUT STILL HAVE A PLAYFUL COMMERCIAL LOOK TO IT.
- MUST BE VERY VISUAL AS YOU ENTER AND LEAVE THE COMPLEX.

BUBBLE DIAGRAM



- 1 TICKET BOOTH
- 2 LOBBY
- 3.1 GIFT/BOOKSHOP(SALES)
- 3.2 OFFICE
- 3.3 STORAGE
- 4.1 AUDITORIUM
- 4.2 PROJECTION ROOM
- 4.3 AUDITORIUM SUPPORT
- 5.1 CLASSROOM
- 5.2 STORAGE
- 6 TOILETS
- 7 INTRODUCTORY THEATER
- 8 SECURITY OFFICE
- 9 JANITORIAL ROOM
- 10.1 CAFE/ DINING ROOM
- 10.2 BAR
- 11.1 KITCHEN
- 11.2 SERVERY
- 11.3 STORAGE
- 11.4 FREEZER
- 11.5 OFFICE
- 11.6 TOILETS
- 11.7 JANITORIAL ROOM

AREA: 750 SF

HEIGHT: 8-14 FT

FINISHES IMAGE: PLAYFUL

CEILING: VARIABLE

FLOOR: SOFT- CARPET

WALLS: SOFT- CARPET

SYSTEMS HVAC: MULTI ZONE- LOW VEL **PLUMBING:** NONE

LIGHTING: TRACK, DAYLIGHT/INDIRECT

FURNITURE/EQUIP.: SALES COUNTER, DISPLAY CASES, BOOK SHELVES, POSTER RACKS, CASH REGISTER

A3.2 OFFICE

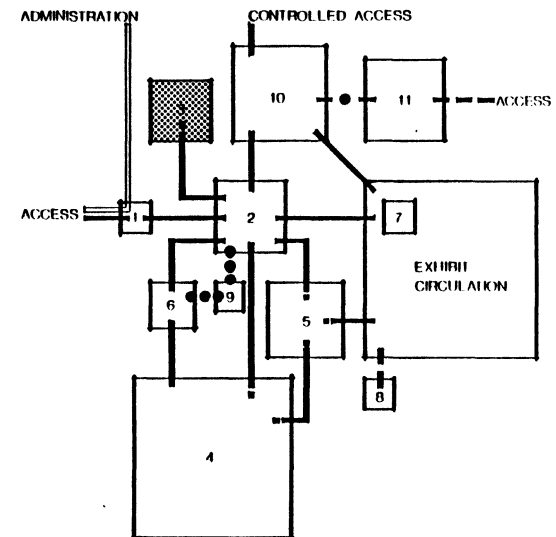
USER: SALES STAFF

FUNCTION:

- TO SERVE AS AREA FOR ACCOUNTING AND GENERAL BUSINESS NEEDS OF THE GIFT/BOOK SHOP.

SPECIAL CONSIDERATIONS:

BUBBLE DIAGRAM



- 1 TICKET BOOTH
- 2 LOBBY
- 3.1 GIFT/BOOKSHOP(SALES)
- 3.2 OFFICE
- 3.3 STORAGE
- 4.1 AUDITORIUM
- 4.2 PROJECTION ROOM
- 4.3 AUDITORIUM SUPPORT
- 5.1 CLASSROOM
- 5.2 STORAGE
- 6 TOILETS
- 7 INTRODUCTORY THEATER
- 8 SECURITY OFFICE
- 9 JANITORIAL ROOM
- 10.1 CAFE/ DINING ROOM
- 10.2 BAR
- 11.1 KITCHEN
- 11.2 SERVERY
- 11.3 STORAGE
- 11.4 FREEZER
- 11.5 OFFICE
- 11.6 TOILETS
- 11.7 JANITORIAL ROOM

AREA: 250 SF

HEIGHT: 8-10 FT

FINISHES IMAGE: PLEASANT WKG. SPACE **CEILING:** ACOUSTICAL

FLOOR: HARD AND SOFT-CARPET **WALLS:** ACOUSTICAL

SYSTEMS HVAC: MULTI ZONE- LOW VEL **PLUMBING:** NONE

LIGHTING: AMBIENT, DAYLIGHT, TASK

FURNITURE/EQUIP.: TWO DESKS, FILE CABNETS, SMALL VAULT

A 3.3 STORAGE

USER: SALES STAFF

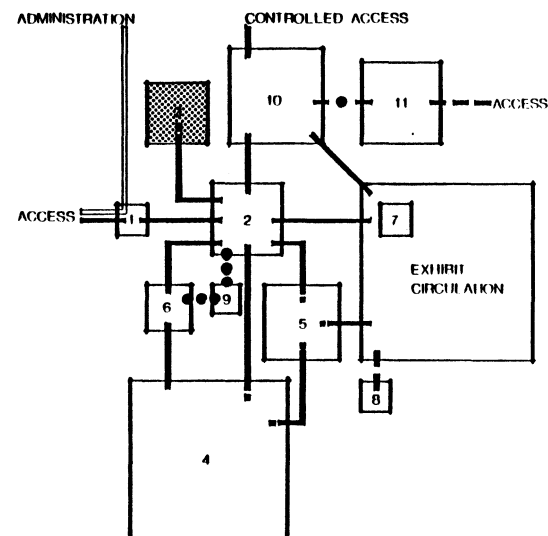
FUNCTION:

- TO SERVE AS EASY ACCESSIBLE STORAGE OF EXCESS STOCK.

SPECIAL CONSIDERATIONS:

- EASY ACCESS FROM SALES AND OFFICE.
- DISCRETE ACCESS- NON PUBLIC

BUBBLE DIAGRAM



- 1 TICKET BOOTH
- 2 LOBBY
- 3.1 GIFT/BOOKSHOP(SALES)
- 3.2 OFFICE
- 3.3 STORAGE
- 4.1 AUDITORIUM
- 4.2 PROJECTION ROOM
- 4.3 AUDITORIUM SUPPORT
- 5.1 CLASSROOM
- 5.2 STORAGE
- 6 TOILETS
- 7 INTRODUCTORY THEATER
- 8 SECURITY OFFICE
- 9 JANITORIAL ROOM
- 10.1 CAFE/ DINING ROOM
- 10.2 BAR
- 11.1 KITCHEN
- 11.2 SERVERY
- 11.3 STORAGE
- 11.4 FREEZER
- 11.5 OFFICE
- 11.6 TOILETS
- 11.7 JANITORIAL ROOM

AREA: 500 SF

HEIGHT: 10 FT

FINISHES IMAGE: UTILITARIAN

CEILING: ACOUSTICAL

FLOOR: HARD- TILE

WALLS: HARD

SYSTEMS HVAC: MULTI ZONE- LOW VEL

PLUMBING: NONE

LIGHTING: AMBIENT

FURNITURE/EQUIP.: SHELVES, LAY FILES

THE TEXAS STATE AQUARIUM * CORPUS CHRISTI, TX.

A 4.1 AUDITORIUM

USER: VISITORS, STAFF, AQUARIUM MEMBERS, RESEARCHERS

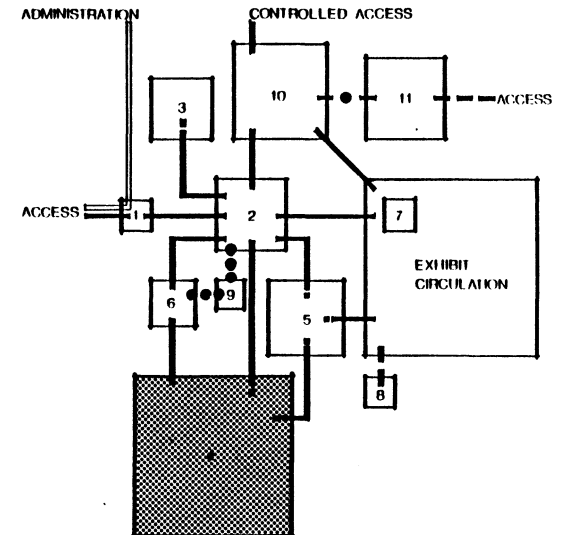
FUNCTION:

- THIS SPACE IS USED FOR PRIVATE AND PUBLIC LECTURES, MEMBERSHIP MEETINGS, MOVIES, AND SMALL PLAYS.

SPECIAL CONSIDERATIONS:

- LARGE ENTRY FROM SUPPORT, FOR LARGE DISPLAYS.
- SEATING CAPACITY OF 300.
- ACCESS WHEN AQUARIUM IS CLOSED.
- SLOPED FLOOR FOR SEATING.
- NOT NECESSAIRILY ENTERED THRU THE LOBBY.

BUBBLE DIAGRAM



- 1 TICKET BOOTH
- 2 LOBBY
- 3.1 GIFT/BOOKSHOP(SALES)
- 3.2 OFFICE
- 3.3 STORAGE
- 4.1 AUDITORIUM
- 4.2 PROJECTION ROOM
- 4.3 AUDITORIUM SUPPORT
- 5.1 CLASSROOM
- 5.2 STORAGE
- 6 TOILETS
- 7 INTRODUCTORY THEATER
- 8 SECURITY OFFICE
- 9 JANITORIAL ROOM
- 10.1 CAFE/DINING ROOM
- 10.2 BAR
- 11.1 KITCHEN
- 11.2 SERVERY
- 11.3 STORAGE
- 11.4 FREEZER
- 11.5 OFFICE
- 11.6 TOILETS
- 11.7 JANITORIAL ROOM

AREA: 3750 SF

HEIGHT: VARIABLE

FINISHES IMAGE: EDUCATIONAL

CEILING: ACCOUSTICALLY CONTROLLED

FLOOR: SOFT- CARPET

WALLS: ACCOUSTICALLY CONTROLLED

SYSTEMS HVAC: MULTI ZONE- LOW VEL **PLUMBING:** NONE

LIGHTING: SPECIAL SPOT LIGHTS, AMBIENT WITH DIMMERS

FURNITURE/EQUIP.: FRONT AND REAR PROJECTION SCREEN

A 4.3 AUDITORIUM SUPPORT

USER: STAFF, VISITING LECTURES

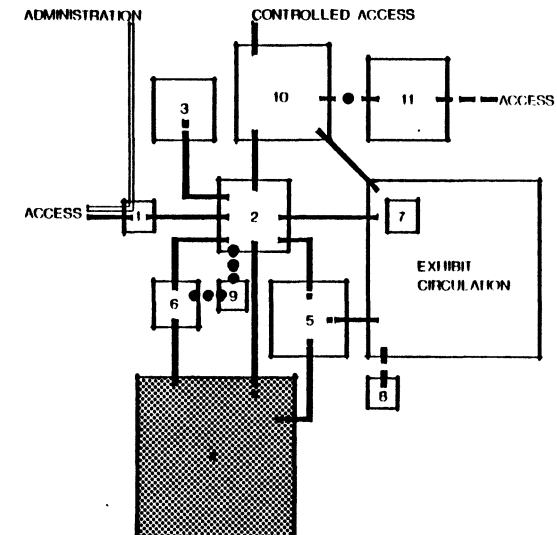
FUNCTION:

- PLACE FOR LECTURERS TO PREPARE THEMSELVES FOR PRESENTATIONS MENTALLY AND PHYSICALLY.
- ACTS AS A DRESSING ROOM FOR LECTURERS.

SPECIAL CONSIDERATIONS:

- LARGE DOOR OPENINGS FOR LARGE DISPLAYS.
- DRESSING SPACE WITH SHOWER, TOILET, SINK, AND SHELVES.
- SUBDUE ENTRY FROM HALLWAY.

BUBBLE DIAGRAM



- 1 TICKET BOOTH
- 2 LOBBY
- 3.1 GIFT/BOOKSHOP(SALES)
- 3.2 OFFICE
- 3.3 STORAGE
- 4.1 AUDITORIUM
- 4.2 PROJECTION ROOM
- 4.3 AUDITORIUM SUPPORT
- 5.1 CLASSROOM
- 5.2 STORAGE
- 6 TOILETS
- 7 INTRODUCTORY THEATER
- 8 SECURITY OFFICE
- 9 JANITORIAL ROOM
- 10.1 CAFE/DINING ROOM
- 10.2 BAR
- 11.1 KITCHEN
- 11.2 SERVERY
- 11.3 STORAGE
- 11.4 FREEZER
- 11.5 OFFICE
- 11.6 TOILETS
- 11.7 JANITORIAL ROOM

AREA: 300 SF

HEIGHT: VARIABLE

FINISHES IMAGE: COMFORTABLE AND QUIET

CEILING: ACCOUSTICAL

FLOOR: SOFT AND HARD

WALLS: SOFT

SYSTEMS HVAC: MULTI ZONE- LOW VEL **PLUMBING:** SINK, TOILET AND SHOWER

LIGHTING: AMBIENT

FURNITURE/EQUIP.: STORAGE CABNETS FOR PAMPHLETS

A 5.1 CLASSROOM

USER: STAFF, VISITING LECTURERS,
SCHOOL GROUPS, AQ. MEMBERS.

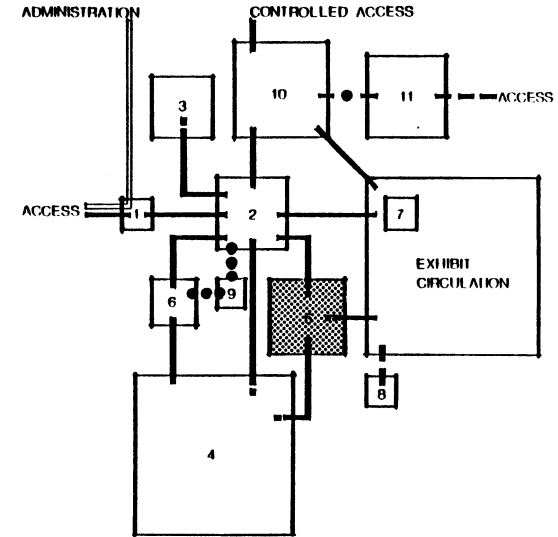
FUNCTION:

- TO SERVE AS AN EDUCATIONAL CLASSROOM(S) FOR SCHOOL GROUPS, AQUARIUM MEMBERS' MEETING PLACE, SMALL LECTURE HALL FOR VISITING LECTURERS AND RESEARCHERS.

SPECIAL CONSIDERATIONS:

- FLEXIBLE, ABLE TO DIVIDE ROOM INTO 2 ROOMS.
- WORK TABLES/TRAYS FOR DISPLAYING AQUATIC ANIMALS.

BUBBLE DIAGRAM



- 1 TICKET BOOTH
- 2 LOBBY
- 3.1 GIFT/BOOKSHOP(SALES)
- 3.2 OFFICE
- 3.3 STORAGE
- 4.1 AUDITORIUM
- 4.2 PROJECTION ROOM
- 4.3 AUDITORIUM SUPPORT
- 5.1 CLASSROOM
- 5.2 STORAGE
- 6 TOILETS
- 7 INTRODUCTORY THEATER
- 8 SECURITY OFFICE
- 9 JANITORIAL ROOM
- 10.1 CAFE/ DINING ROOM
- 10.2 BAR
- 11.1 KITCHEN
- 11.2 SERVERY
- 11.3 STORAGE
- 11.4 FREEZER
- 11.5 OFFICE
- 11.6 TOILETS
- 11.7 JANITORIAL ROOM

AREA: 2000 SF

HEIGHT: 10-14 FT

FINISHES IMAGE: EDUCATIONAL AND FLEXIBLE

CEILING: ACOUSTIC TILE

FLOOR: HARD- TILE

WALLS: HARD- PAINT

SYSTEMS HVAC: MULTI ZONE- LOW VEL **PLUMBING:** SINK WITH DEEP TROUGH.

LIGHTING: NONGLARE AMBIENT, TRACK

FURNITURE/EQUIP.: MOVABLE SEATING, WORK TABLES (2), TACK SURFACE, PROJECTION SCREENS (2)

A 5.2 STORAGE

USER: STAFF

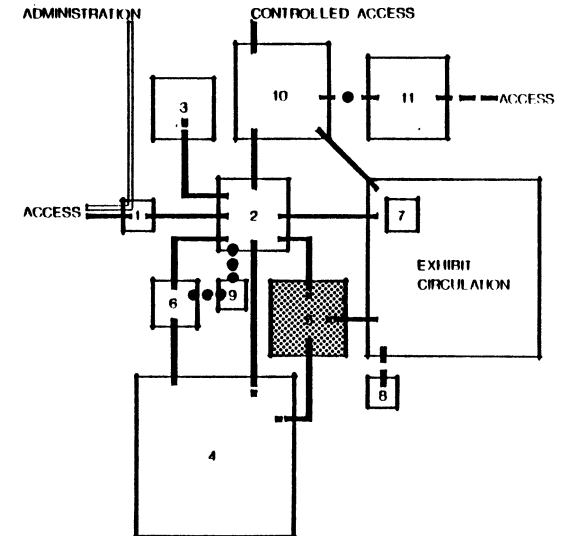
FUNCTION:

- TO STORE PAMPHLETS, TRAYS AUDIOVISUAL EQUIPMENT, AND EXCESS CHAIRS (FOLDING).

SPECIAL CONSIDERATIONS:

- ACCESSABLE TO CLASSROOM(S) WHEN DIVIDED INTO 2 SPACES.

BUBBLE DIAGRAM



- 1 TICKET BOOTH
- 2 LOBBY
- 3.1 GIFT/BOOKSHOP(SALES)
- 3.2 OFFICE
- 3.3 STORAGE
- 4.1 AUDITORIUM
- 4.2 PROJECTION ROOM
- 4.3 AUDITORIUM SUPPORT
- 5.1 CLASSROOM
- 5.2 STORAGE
- 6 TOILETS
- 7 INTRODUCTORY THEATER
- 8 SECURITY OFFICE
- 9 JANITORIAL ROOM
- 10.1 CAFE/ DINING ROOM
- 10.2 BAR
- 11.1 KITCHEN
- 11.2 SERVERY
- 11.3 STORAGE
- 11.4 FREEZER
- 11.5 OFFICE
- 11.6 TOILETS
- 11.7 JANITORIAL ROOM

AREA: 100 SF

HEIGHT: 8-10 FT

FINISHES IMAGE: NONE

CEILING: PLASTER

FLOOR: HARD- TILE

WALLS: HARD- PAINT

SYSTEMS HVAC: NONE

PLUMBING: NONE

LIGHTING: AMBIENT

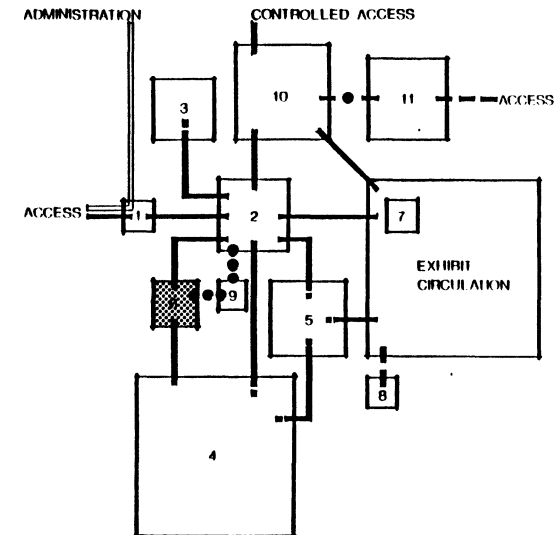
FURNITURE/EQUIP.: METAL SHELVING

A6 TOILETS

USER: VISITORS
FUNCTION:
 • TO PROVIDE RELIEF

SPECIAL CONSIDERATIONS:
 • ADJACENT TO AUDITORIUM AND LOBBY.
 • REQUIREMENTS FOR HANDICAP

BUBBLE DIAGRAM



- 1 TICKET BOOTH
- 2 LOBBY
- 3.1 GIFT/BOOKSHOP(SALES)
- 3.2 OFFICE
- 3.3 STORAGE
- 4.1 AUDITORIUM
- 4.2 PROJECTION ROOM
- 4.3 AUDITORIUM SUPPORT
- 5.1 CLASSROOM
- 5.2 STORAGE
- 6 TOILETS
- 7 INTRODUCTORY THEATER
- 8 SECURITY OFFICE
- 9 JANITORIAL ROOM
- 10.1 CAFE / DINING ROOM
- 10.2 BAR
- 11.1 KITCHEN
- 11.2 SERVERY
- 11.3 STORAGE
- 11.4 FREEZER
- 11.5 OFFICE
- 11.6 TOILETS
- 11.7 JANITORIAL ROOM

AREA: 1200 SF

HEIGHT: 8-10 FT

FINISHES IMAGE: CLEAN, SANITARY

CEILING: PLASTER

FLOOR: HARD- TILE

WALLS: HARD- TILE AND PAINT

SYSTEMS HVAC: MULTI ZONE- LOW VEL
SEPERATE RETURN

PLUMBING: AS REQUIRED BY CODE

LIGHTING: AMBIENT

FURNITURE /EQUIP.:

A7 INTRO. THEATER

USER: VISITORS, STAFF

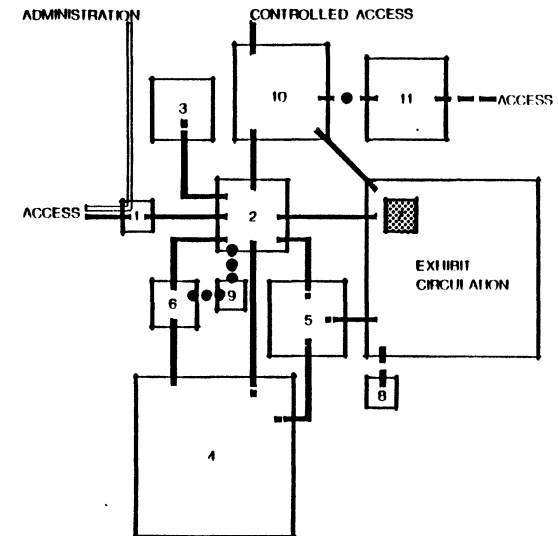
FUNCTION:

- TO INTRODUCE THE PUBLIC TO THE EXHIBITS, TO HELP THEM UNDERSTAND AND EDUCATE THEM BRIEFLY ON THE TYPES AND PLACEMENT OF EACH EXHIBIT.
- FILM AND SLIDES RUN CONTINUOUSLY (UNMANNED).

SPECIAL CONSIDERATIONS:

- INFORMAL SEATING ALMOST STAND-UP OR WALK-THRU SEATING.
- MUST BE FIRST THING TO BE EXPERIENCED, BUT NOT FORCED, CAN BE BYPASSED IF DESIRED BY PUBLIC.

BUBBLE DIAGRAM



- 1 TICKET BOOTH
- 2 LOBBY
- 3.1 GIFT/BOOKSHOP(SALES)
- 3.2 OFFICE
- 3.3 STORAGE
- 4.1 AUDITORIUM
- 4.2 PROJECTION ROOM
- 4.3 AUDITORIUM SUPPORT
- 5.1 CLASSROOM
- 5.2 STORAGE
- 6 TOILETS
- 7 INTRODUCTORY THEATER
- 8 SECURITY OFFICE
- 9 JANITORIAL ROOM
- 10.1 CAFE/DINING ROOM
- 10.2 BAR
- 11.1 KITCHEN
- 11.2 SERVERY
- 11.3 STORAGE
- 11.4 FREEZER
- 11.5 OFFICE
- 11.6 TOILETS
- 11.7 JANITORIAL ROOM

AREA: 1000 SF

HEIGHT: 10-12 FT

FINISHES IMAGE: QUIET, INVITING,
INFORMAL

CEILING: ACCOUSTICALLY CONTROLLED

FLOOR: SOFT- CARPET

WALLS: SOFT- ACCOUSTIC

SYSTEMS HVAC: MULTI ZONE- LOW VEL **PLUMBING:** NONE

LIGHTING: NO DAYLIGHT, SPECIAL AMBIENT

FURNITURE/EQUIP.: PROJECTION BOOTH, REAR SCREEN PROJECTION, STEPED SEATING FOR 25 PEOPLE.

A8 SECURITY OFFICE

USER: SECURITY STAFF

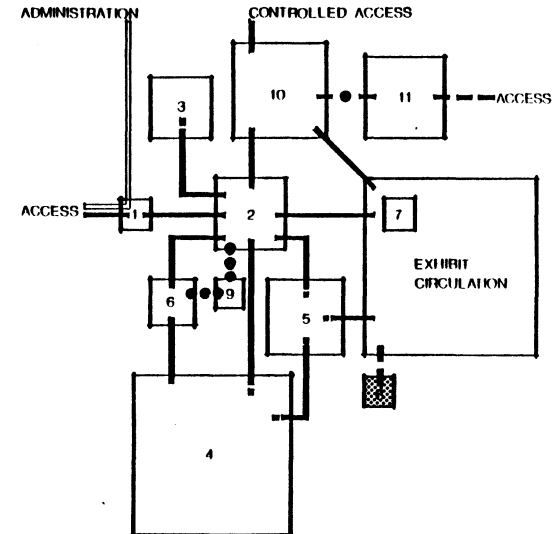
FUNCTION:

- TO MONITOR PUBLIC SPACES, PREVENTING MINOR PROBLEMS.
- TO OVERLOOK, AND PREVENT ACCIDENTS AND DESTRUCTION TO THE EXHIBITS.

SPECIAL CONSIDERATIONS:

- ADJACENT TO ADMINISTRATION DEPT. BUT ACCESSIBLE FROM LOBBY.
- IMAGE OF OVERLOOKERS AND NOT SECURITY OFFICERS.

BUBBLE DIAGRAM



- 1 TICKET BOOTH
- 2 LOBBY
- 3.1 GIFT/BOOKSHOP(SALES)
- 3.2 OFFICE
- 3.3 STORAGE
- 4.1 AUDITORIUM
- 4.2 PROJECTION ROOM
- 4.3 AUDITORIUM SUPPORT
- 5.1 CLASSROOM
- 5.2 STORAGE
- 6 TOILETS
- 7 INTRODUCTORY THEATER
- 8 SECURITY OFFICE
- 9 JANITORIAL ROOM
- 10.1 CAFE / DINING ROOM
- 10.2 BAR
- 11.1 KITCHEN
- 11.2 SERVERY
- 11.3 STORAGE
- 11.4 FREEZER
- 11.5 OFFICE
- 11.6 TOILETS
- 11.7 JANITORIAL ROOM

AREA: 300 SF

HEIGHT: 8-10 FT

FINISHES IMAGE: LIGHT SECURITY,
LOW KEY

CEILING: ACOUSTIC TILE

FLOOR: SOFT- CARPET

WALLS: HARD- PAINT

SYSTEMS HVAC: MULTI ZONE- LOW VEL **PLUMBING:** NONE

LIGHTING: AMBIENT

FURNITURE/EQUIP.: MONITORING EQUIPMENT, DESKS, CHAIRS

A9 JANITORIAL ROOM

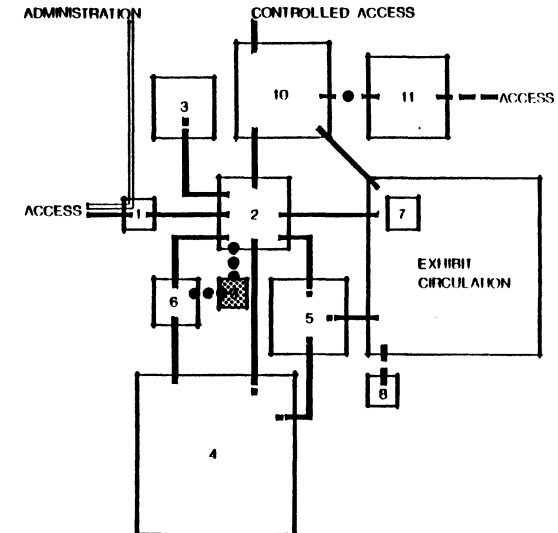
USER: OPERATIONAL STAFF, JANITORS

FUNCTION:

- PROVIDE AN AREA FOR THE STORAGE OF JANITORIAL SUPPLIES AND CLEANING EQUIPMENT FOR THE LOBBY AND PUBLIC FACILITIES.

SPECIAL CONSIDERATIONS:

BUBBLE DIAGRAM



- 1 TICKET BOOTH
- 2 LOBBY
- 3.1 GIFT/BOOKSHOP(SALES)
- 3.2 OFFICE
- 3.3 STORAGE
- 4.1 AUDITORIUM
- 4.2 PROJECTION ROOM
- 4.3 AUDITORIUM SUPPORT
- 5.1 CLASSROOM
- 5.2 STORAGE
- 6 TOILETS
- 7 INTRODUCTORY THEATER
- 8 SECURITY OFFICE
- 9 JANITORIAL ROOM
- 10.1 CAFE/ DINING ROOM
- 10.2 BAR
- 11.1 KITCHEN
- 11.2 SERVERY
- 11.3 STORAGE
- 11.4 FREEZER
- 11.5 OFFICE
- 11.6 TOILETS
- 11.7 JANITORIAL ROOM

AREA: 80 SF

HEIGHT: 8-10 FT

FINISHES IMAGE: NONE

CEILING: EXPOSED

FLOOR: HARD- CONC. OR TILE

WALLS: HARD- PAINT

SYSTEMS HVAC: MULTI ZONE- LOW VEL

PLUMBING: SLOP SINK

LIGHTING: AMBIENT

FURNITURE/EQUIP.: SHELVING

A10.1 CAFE/DINING ROOM

USER: AQUARIUM VISITORS, GENERAL PUBLIC, REST. STAFF

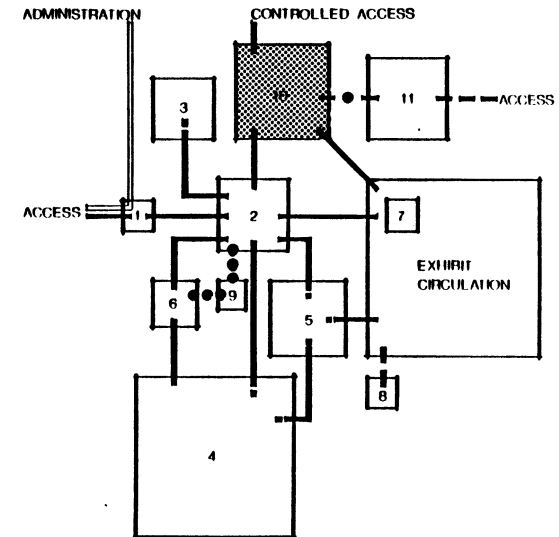
FUNCTION:

- TO SEAT COMFORTABLY 200 PEOPLE.
- TO BE AN INTEGRATED PART OF THE AQUARIUM DURING AQUARIUM HOURS AND A SEPERATE DINING PLACE AFTER HOURS.

SPECIAL CONSIDERATIONS:

- SEPERATE ENTRY (FOR AFTER HOURS)
- VIEWS OUT, VERY CRITICAL
- VIEWS INTO THE AQUARIUM EXHIBITS/DISPLAYS ARE IMPT.
-

BUBBLE DIAGRAM



- 1 TICKET BOOTH
- 2 LOBBY
- 3.1 GIFT/BOOKSHOP(SALES)
- 3.2 OFFICE
- 3.3 STORAGE
- 4.1 AUDITORIUM
- 4.2 PROJECTION ROOM
- 4.3 AUDITORIUM SUPPORT
- 5.1 CLASSROOM
- 5.2 STORAGE
- 6 TOILETS
- 7 INTRODUCTORY THEATER
- 8 SECURITY OFFICE
- 9 JANITORIAL ROOM
- 10.1 CAFE/DINING ROOM
- 10.2 BAR
- 11.1 KITCHEN
- 11.2 SERVERY
- 11.3 STORAGE
- 11.4 FREEZER
- 11.5 OFFICE
- 11.6 TOILETS
- 11.7 JANITORIAL ROOM

AREA: 2500 SF

HEIGHT: VARIABLE

FINISHES IMAGE: INVITING, RELAXING INFORMAL AND SEMI-FORMAL (AFTER HOURS)

CEILING: VARIABLE

FLOOR: SOFT- CARPET

WALLS: VARIABLE

SYSTEMS HVAC: MULTI ZONE- LOW VEL

PLUMBING: DOUBLE SINK (DRINKING WATER)

LIGHTING: DAYLIGHT, AMBIENT WITH DIMMERS.

FURNITURE/EQUIP.: TABLES AND SEATING FOR 200 PEOPLE

A10.2 BAR

USER: RESTAURANT STAFF

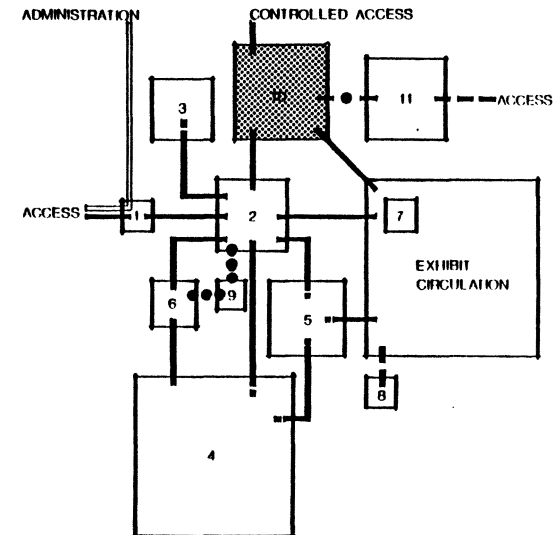
FUNCTION:

- THE DISPENSING AND MIXING OF ALL DRINKS, RELATING TO THE RESTAURANT.

SPECIAL CONSIDERATIONS:

- SEATING PLACEMENT SURROUNDING THE BAR.

BUBBLE DIAGRAM



- 1 TICKET BOOTH
- 2 LOBBY
- 3.1 GIFT/BOOKSHOP(SALES)
- 3.2 OFFICE
- 3.3 STORAGE
- 4.1 AUDITORIUM
- 4.2 PROJECTION ROOM
- 4.3 AUDITORIUM SUPPORT
- 5.1 CLASSROOM
- 5.2 STORAGE
- 6 TOILETS
- 7 INTRODUCTORY THEATER
- 8 SECURITY OFFICE
- 9 JANITORIAL ROOM
- 10.1 CAFE/DINING ROOM
- 10.2 BAR
- 11.1 KITCHEN
- 11.2 SERVERY
- 11.3 STORAGE
- 11.4 FREEZER
- 11.5 OFFICE
- 11.6 TOILETS
- 11.7 JANITORIAL ROOM

AREA: 150 SF

HEIGHT: VARIABLE

FINISHES IMAGE: QUIET, INTIMATE

CEILING: VARIABLE

FLOOR: HARD-TILE

WALLS: VARIABLE

SYSTEMS HVAC: MULTI ZONE- LOW VEL

PLUMBING: 3 DEEP SINKS

LIGHTING: SPECIAL AMBIENT

FURNITURE/EQUIP.: STORAGE CABNETS, CASH REGISTER, PLENTY OF COUNTER SPACE.

A11.1 KITCHEN

USER: RESTAURANT STAFF

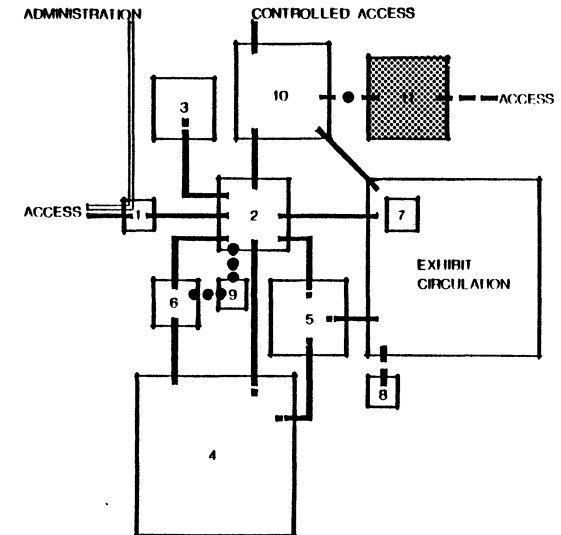
FUNCTION:

- TO PREPARE ALL FOODS FOR SERVERY AND ALA CARTE AFTER HOURS.

SPECIAL CONSIDERATIONS:

- ALL MATERIALS MUST BE OF A CLEANABLE TYPE AND LONG LASTING.

BUBBLE DIAGRAM



- 1 TICKET BOOTH
- 2 LOBBY
- 3.1 GIFT/BOOKSHOP(SALES)
- 3.2 OFFICE
- 3.3 STORAGE
- 4.1 AUDITORIUM
- 4.2 PROJECTION ROOM
- 4.3 AUDITORIUM SUPPORT
- 5.1 CLASSROOM
- 5.2 STORAGE
- 6 TOILETS
- 7 INTRODUCTORY THEATER
- 8 SECURITY OFFICE
- 9 JANITORIAL ROOM
- 10.1 CAFE/ DINING ROOM
- 10.2 BAR
- 11.1 KITCHEN
- 11.2 SERVERY
- 11.3 STORAGE
- 11.4 FREEZER
- 11.5 OFFICE
- 11.6 TOILETS
- 11.7 JANITORIAL ROOM

AREA: 500 SF

HEIGHT: 10 FT

FINISHES IMAGE: CLEAN

CEILING: PLASTER

FLOOR: HARD- DURABLE TILE

WALLS: HARD- TILE OR VINYL

SYSTEMS HVAC: MULTI ZONE- LOW VEL
SEPERATE RETURN

PLUMBING: WELL FURNISHED KITCHEN
FACILITIES

LIGHTING: AMBIENT

FURNITURE/EQUIP.: TYPICAL KITCHEN EQUIPMENT, MOVABLE FOOD CARTS

A11.2 SERVERY

USER: RESTAURANT STAFF, VISITORS

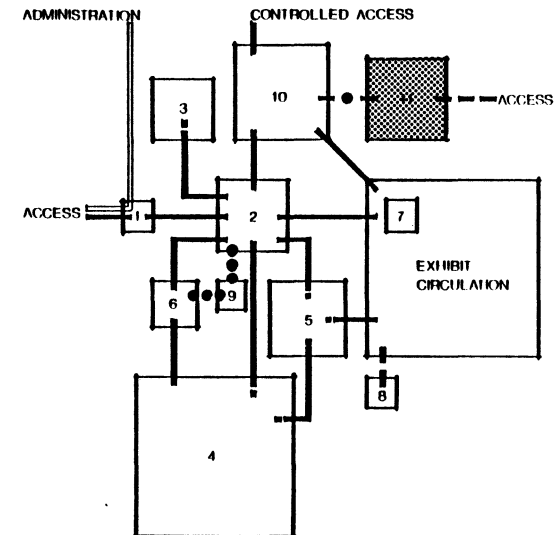
FUNCTION:

- TO DISPENSE FOOD TO CUSTOMERS ALA BUFFET STYLE DURING AQUARIUM HOURS AND ALA CARTE AFTER HOURS, IN WHICH THE SERVERY BECOMES THE SALAD BAR.

SPECIAL CONSIDERATIONS:

- ADJACENT TO SEPERATE ENTRY YET VERY INVITING AND ACCESSIBLE FROM THE AQUARIUM SIDE
- CASH REGISTER AND COUNTER IS LOCATED IN THIS GENERAL AREA.

BUBBLE DIAGRAM



- 1 TICKET BOOTH
- 2 LOBBY
- 3.1 GIFT/BOOKSHOP(SALES)
- 3.2 OFFICE
- 3.3 STORAGE
- 4.1 AUDITORIUM
- 4.2 PROJECTION ROOM
- 4.3 AUDITORIUM SUPPORT
- 5.1 CLASSROOM
- 5.2 STORAGE
- 6 TOILETS
- 7 INTRODUCTORY THEATER
- 8 SECURITY OFFICE
- 9 JANITORIAL ROOM
- 10.1 CAFE/DINING ROOM
- 10.2 BAR
- 11.1 KITCHEN
- 11.2 SERVERY
- 11.3 STORAGE
- 11.4 FREEZER
- 11.5 OFFICE
- 11.6 TOILETS
- 11.7 JANITORIAL ROOM

AREA: 800 SF

HEIGHT: VARIABLE

FINISHES IMAGE: INVITING, CLEAN **CEILING:** VARIABLE

FLOOR: HARD-TILE OR STONE **WALLS:** HARD-VINYL

SYSTEMS HVAC: MULTI ZONE- LOW VEL **PLUMBING:** SINK- DRINKING WATER

LIGHTING: AMBIENT- DOWNLIGHTING

FURNITURE/EQUIP.: COUNTER SPACE, CASH REGISTER, SERVERY COUNTERS AND HEATING ELEMENTS

A11.3 STORAGE

USER: RESTAURANT STAFF

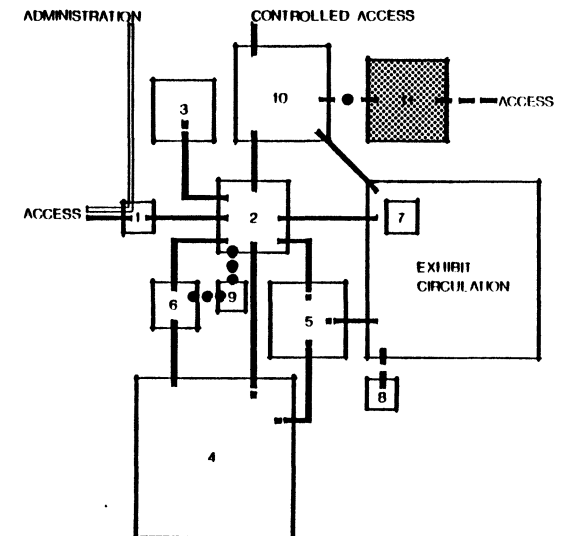
FUNCTION:

- TO STORE AND KEEP UNPERISHABLE FOODS AND EQUIPMENT FOR EASY ACCESS.

SPECIAL CONSIDERATIONS:

- FOOD IS CARTED TO STORAGE BEFORE AND AFTER HOURS FROM LOADING DOCK (TEMPORARY STORAGE).
- NO LOADING DOCK OR SERVICE WAY IS NEEDED FOR KITCHEN.
- ADJACENT TO FREEZER.

BUBBLE DIAGRAM



- 1 TICKET BOOTH
- 2 LOBBY
- 3.1 GIFT/BOOKSHOP(SALES)
- 3.2 OFFICE
- 3.3 STORAGE
- 4.1 AUDITORIUM
- 4.2 PROJECTION ROOM
- 4.3 AUDITORIUM SUPPORT
- 5.1 CLASSROOM
- 5.2 STORAGE
- 6 TOILETS
- 7 INTRODUCTORY THEATER
- 8 SECURITY OFFICE
- 9 JANITORIAL ROOM
- 10.1 CAFE/ DINING ROOM
- 10.2 BAR
- 11.1 KITCHEN
- 11.2 SERVERY
- 11.3 STORAGE
- 11.4 FREEZER
- 11.5 OFFICE
- 11.6 TOILETS
- 11.7 JANITORIAL ROOM

AREA: 280 SF

HEIGHT: 8-10 FT

FINISHES IMAGE: NONE

CEILING: PLASTER

FLOOR: HARD- TILE

WALLS: HARD- PAINT

SYSTEMS HVAC: MULTI ZONE- LOW VEL **PLUMBING:** NONE

LIGHTING: AMBIENT

FURNITURE /EQUIP.: SHELVING, STORAGE BENS

A11.4 FREEZER

USER: RESTAURANT STAFF

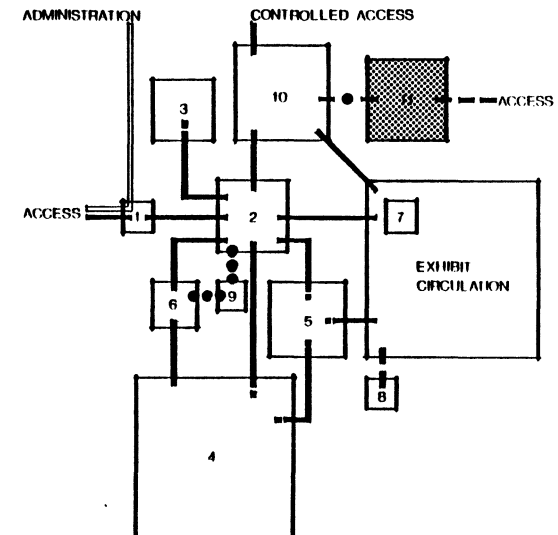
FUNCTION:

- TO STORE AND KEEP PACKAGED AND UNPACKAGED FOODS FRESH AND AVAILABLE TO KITCHEN STAFF.

SPECIAL CONSIDERATIONS:

- DIRECT RELATIONSHIP TO KITCHEN AND STORAGE.

BUBBLE DIAGRAM



- 1 TICKET BOOTH
- 2 LOBBY
- 3.1 GIFT/BOOKSHOP(SALES)
- 3.2 OFFICE
- 3.3 STORAGE
- 4.1 AUDITORIUM
- 4.2 PROJECTION ROOM
- 4.3 AUDITORIUM SUPPORT
- 5.1 CLASSROOM
- 5.2 STORAGE
- 6 TOILETS
- 7 INTRODUCTORY THEATER
- 8 SECURITY OFFICE
- 9 JANITORIAL ROOM
- 10.1 CAFE/ DINING ROOM
- 10.2 BAR
- 11.1 KITCHEN
- 11.2 SERVERY
- 11.3 STORAGE
- 11.4 FREEZER
- 11.5 OFFICE
- 11.6 TOILETS
- 11.7 JANITORIAL ROOM

AREA: 150 SF

HEIGHT: 8-10 FT

FINISHES IMAGE: NONE

CEILING: EXPOSED

FLOOR: HARD- CONC

WALLS: FREEZER TYPE

SYSTEMS HVAC: SEPERATE COOLING
SPECIAL TEMP. CONTROL

PLUMBING: OVER-FLOW FLOOR DRAINS

LIGHTING: SPECIAL AMBIENT

FURNITURE/EQUIP.: REFRIGERATION UNIT (COMPRESSER)

A11.5 OFFICE

USER: RESTAURANT STAFF

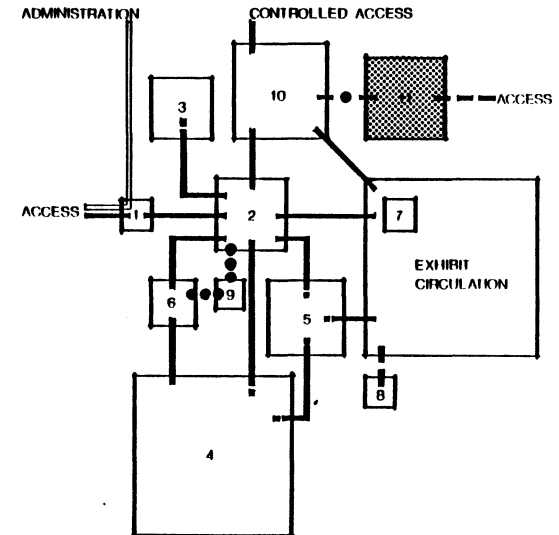
FUNCTION:

- ACCOUNTING AND GENERAL BUSINESS NEEDS OF RESTAURANT (ORDERING STOCK, INVENTORY, ETC.).

SPECIAL CONSIDERATIONS:

- SHOULD HAVE A PRIVATE CHARACTER

BUBBLE DIAGRAM



- 1 TICKET BOOTH
- 2 LOBBY
- 3.1 GIFT/BOOKSHOP(SALES)
- 3.2 OFFICE
- 3.3 STORAGE
- 4.1 AUDITORIUM
- 4.2 PROJECTION ROOM
- 4.3 AUDITORIUM SUPPORT
- 5.1 CLASSROOM
- 5.2 STORAGE
- 6 TOILETS
- 7 INTRODUCTORY THEATER
- 8 SECURITY OFFICE
- 9 JANITORIAL ROOM
- 10.1 CAFE/DINING ROOM
- 10.2 BAR
- 11.1 KITCHEN
- 11.2 SERVERY
- 11.3 STORAGE
- 11.4 FREEZER
- 11.5 OFFICE
- 11.6 TOILETS
- 11.7 JANITORIAL ROOM

AREA: 150 SF

HEIGHT: 8-10 FT

FINISHES IMAGE: PRIVATE

CEILING: ACOUSTIC TILE

FLOOR: HARD- TILE

WALLS: HARD- PAINT

SYSTEMS HVAC: MULTI ZONE- LOW VEL **PLUMBING:** NONE

LIGHTING: AMBIENT, TASK

FURNITURE/EQUIP.: FILE CABNETS, DESK, CHAIRS, SMALL VAULT

A11.6 TOILETS

USER: RESTAURANT STAFF

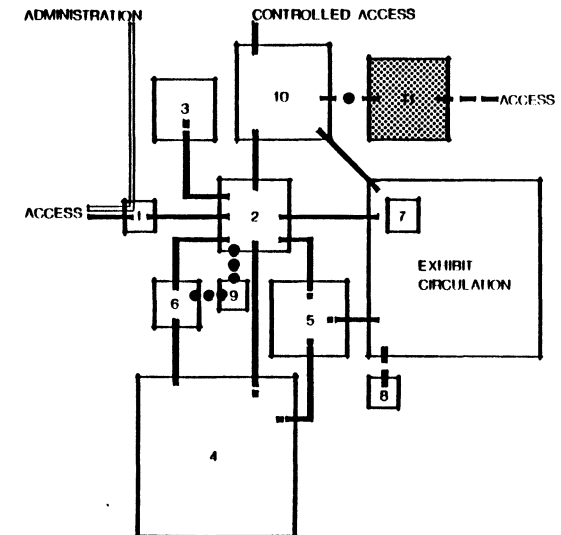
FUNCTION:

- TO PROVIDE RELIEF TO RESTAURANT STAFF ONLY.

SPECIAL CONSIDERATIONS:

- REQUIREMENTS FOR HANDICAP

BUBBLE DIAGRAM



- 1 TICKET BOOTH
- 2 LOBBY
- 3.1 GIFT/BOOKSHOP(SALES)
- 3.2 OFFICE
- 3.3 STORAGE
- 4.1 AUDITORIUM
- 4.2 PROJECTION ROOM
- 4.3 AUDITORIUM SUPPORT
- 5.1 CLASSROOM
- 5.2 STORAGE
- 6 TOILETS
- 7 INTRODUCTORY THEATER
- 8 SECURITY OFFICE
- 9 JANITORIAL ROOM
- 10.1 CAFE/ DINING ROOM
- 10.2 BAR
- 11.1 KITCHEN
- 11.2 SERVERY
- 11.3 STORAGE
- 11.4 FREEZER
- 11.5 OFFICE
- 11.6 TOILETS
- 11.7 JANITORIAL ROOM

AREA: 160 SF

HEIGHT: 8 FT

FINISHES IMAGE: CLEAN

CEILING: PLASTER

FLOOR: HARD- TILE

WALLS: HARD- TILE OR PAINT

SYSTEMS HVAC: MULTI ZONE- LOW VEL
SEPERATE RETURN

PLUMBING: AS REQUIRED BY CODE

LIGHTING: AMBIENT

FURNITURE/EQUIP.:

A11.7 JANITORIAL ROOM

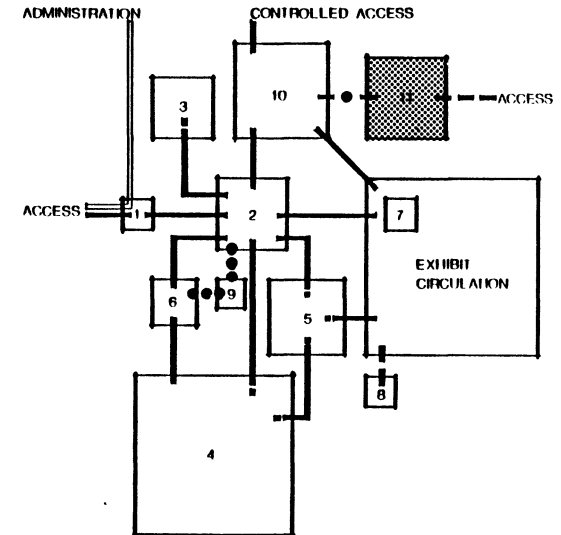
USER: RESTAURANT STAFF

FUNCTION:

- PROVIDE AN AREA FOR THE STORAGE OF JANITORIAL SUPPLIES AND CLEANING EQUIPMENT FOR THE DINING AND KITCHEN AREAS

SPECIAL CONSIDERATIONS:

BUBBLE DIAGRAM



- 1 TICKET BOOTH
- 2 LOBBY
- 3.1 GIFT/BOOKSHOP(SALES)
- 3.2 OFFICE
- 3.3 STORAGE
- 4.1 AUDITORIUM
- 4.2 PROJECTION ROOM
- 4.3 AUDITORIUM SUPPORT
- 5.1 CLASSROOM
- 5.2 STORAGE
- 6 TOILETS
- 7 INTRODUCTORY THEATER
- 8 SECURITY OFFICE
- 9 JANITORIAL ROOM
- 10.1 CAFE/DINING ROOM
- 10.2 BAR
- 11.1 KITCHEN
- 11.2 SERVERY
- 11.3 STORAGE
- 11.4 FREEZER
- 11.5 OFFICE
- 11.6 TOILETS
- 11.7 JANITORIAL ROOM

AREA: 80 SF

HEIGHT: 8-10 FT

FINISHES IMAGE: NONE

CEILING: EXPOSED

FLOOR: HARD- CONC. OR TILE

WALLS: HARD- PAINT

SYSTEMS HVAC: MULTI ZONE- LOW VEL

PLUMBING: SLOP SINK

LIGHTING: AMBIENT

FURNITURE/EQUIP.: SHELVING

EXHIBITS

B EXHIBITS

B 1.1	GULF OF MEXICO (OFFSHORE)	2397
B 1.2	SHARK TANK	4020
B 1.4	PADRE ISLAND FISHING PIER	478
B 1.5	OIL RIG AND PILINGS	210
B 1.6	TEXAS OFFSHORE REEF	210
B 1.7	RESERVE TANK	2445
B 2.1	TEXAS BAYS AND ESTUARIES (C.C. BAY)	478
B 2.2	SCHOOLING TANK	365
B 2.3	LAGUNA MADRE FISH	100
B 2.4	GRASS FLATS	160
B 2.5	OYSTER BEDS	100
B 2.6	NUECES BAY ESTUARY	100
B 2.7	POLLUTION EFFECTS	60
B 2.8	BURROWING ORGANISMS	100
B 2.9	JETTY MARINE LIFE	152
B 2.10	TOUCH TANK, SALT MARSH LIFE	50
B 2.11	TOUCH TANK, C.C. SEASHORE LIFE	50
B 2.12	RESERVE TANK	185
B 3.1	CARIBBEAN EXHIBIT (YUCATAN CORAL REEF)	1000
B 3.2	OFFSHORE PELAGIC FISH	150
B 3.3	MORAY EEL TANK	153
B 3.4	SEA GRASS MEADOW	153
B 3.5	DEEP REEF	100
B 3.6	JEWEL TANKS (TEN)	260

B
EXHIBITS

B 3.7	RESERVE TANK	356
B 4.1	SEA TURTLE EXHIBIT	1000
B 4.2	RESERVE	299
B 5.1	DOLPHIN TANK	3000
B 5.2	RESERVE TANK	1125
B 6	EXHIBITS TRAYS (FOUR)	152
B 7	TEXAS COASTAL RIVER OTTER EXHIBIT	152
B 8.1	NUECES RIVER ECOLOGY EXHIBIT	478
B 8.2	RESERVE TANK	68
		20115

**B1.1
GULF OF
MEXICO
OFFSHORE**

USER: LARGE LOCAL FISHES, RAYS,
ALLIGATOR GARS, TARPON,
JEWFISH AND LING, SMALLER
FISH CAN ALSO BE EXHIBITED
AROUND A REEF WITHIN THIS
TANK.

FUNCTION:

- TO EDUCATE THE PUBLIC ON
THE MANY DIVERSE LARGE
SPECIES OF FISH IN THE GULF
OF MEXICO.

SPECIAL CONSIDERATIONS:

- LOCATION OF THE EXHIBIT SHOULD
BE ONE OF THE FIRST SEEN BY THE
PUBLIC.
- MAXIMUM VISIBILITY OF THIS
EXHIBIT IS REQUIRED.
- DIVERS WILL ENTER THE EXHIBIT
DURING PUBLIC HOURS, TO FEED
THE ANIMALS BY HAND.

- 11 GULF OF MEXICO. OFFSHORE
- 2 SHARK TANK
- 4 PADRE ISLAND FISHING PIER
- 5 OIL RIG AND PILINGS
- 6 TEXAS OFFSHORE REEF
- 7 RESERVE TANK

AREA: 2,397 SF

DEPTH: 15 FT

CUBIC FEET: 35,955 CF

GALLONS: 281,925 G

VISUAL ACCESS: 350°

FURNITURE/EQUIP: OVERHEAD HOIST, FLEXIBLE LIGHTING

THE TEXAS STATE AQUARIUM * CORPUS CHRISTI, TX.

B1.2 SHARK TANK

USER: 15 FAMILIES OF SHARKS AND
SAW FISH NATIVE TO THE
GULF OF MEXICO.

FUNCTION:

TO EDUCATE THE PUBLIC ON
THE MANY DIVERSE SPECIES
OF SHARKS AND THEIR REACT-
IONS TOWARDS MAN ENTERING
THEIR ENVIRONMENT OF THE
GULF OF MEXICO.

SPECIAL CONSIDERATIONS:

- MAXIMUM VISIBILITY OF EXHIBIT IS REQUIRED.
- DIVERS WILL ENTER THE EXHIBIT DURING PUBLIC HOURS TO FEED THE SHARKS.

- 11 GULF OF MEXICO. OFFSHORE
- 2 SHARK TANK
- 4 PADRE ISLAND FISHING PIER
- 5 OIL RIG AND PILINGS
- 6 TEXAS OFFSHORE REEF
- 7 RESERVE TANK

AREA: 4,020 SF

DEPTH: 15 FT

CUBIC FEET: 60,296 CF

GALLONS: 451,080 G

VISUAL ACCESS: 350°

FURNITURE/EQUIP: FLEXIBLE LIGHTING, OVERHEAD HOIST AND SHARK CAGE

**B1.4
PADRE
ISLAND
FISHING
PIER**

USER: BONNETHEAD SHARKS, PINFISH
SHEEPSHEAD CATFISH, PAMPANO,
MULLET, WHITING, SPADEFISH,
AND BLUE CRABS

FUNCTION:

•TO SHOW THE PUBLIC THE
TYPICAL FISH AROUND THE
FISHING PIERS OF PADRE
ISLAND.

SPECIAL CONSIDERATIONS:

•ABOVE AND BELOW WATER EXHIBIT

11 GULF OF MEXICO. OFFSHORE
2 SHARK TANK
4 PADRE ISLAND FISHING PIER
5 OIL RIG AND PILINGS
6 TEXAS OFFSHORE REEF
7 RESERVE TANK

AREA: 478 SF

DEPTH: 6 FT

CUBIC FEET: 2,871 CF

GALLONS: 21,480 G

VISUAL ACCESS: 180°

FURNITURE/EQUIP.: TIDE SIMILATOR

B1.5
OIL
RIG &
PILINGS

USER: POPULATION OF FISHES SUR-
ROUNDING AN ARTIFICIAL REEF-
SNAPPER, GROUPER, JACKS AND
ROBINS

SPECIAL CONSIDERATIONS:

FUNCTION:

- TO SHOW THE POPULATIONS
OF FISH THAT ADAPT TO AND
LIVE AROUND MAN MADE ENVIR-
ONMENTS, SUCH AS AN OIL RIG.

- 11 GULF OF MEXICO. OFFSHORE
- 2 SHARK TANK
- 4 PADRE ISLAND FISHING PIER
- 5 OIL RIG AND PILINGS
- 6 TEXAS OFFSHORE REEF
- 7 RESERVE TANK

AREA: 210 SF

DEPTH: 4 FT

CUBIC FEET: 838 CF

GALLONS: 6,265 G

VISUAL ACCESS: FRONT

FURNITURE/EQUIP: TEMPERATURE AND SALINITY EQUIPMENT

THE TEXAS STATE AQUARIUM * CORPUS CHRISTI, TX.

**B1.6
TEXAS
OFFSHORE
REEF**

USER: TEXAS OFFSHORE REEF POP-
ULATION OF FISHES, BUTTER-
FLY FISH, ANGEL FISH, DAMSEL
FISH AND WRASSES

SPECIAL CONSIDERATIONS:

FUNCTION:

- TO SHOW THE BEAUTIFUL WEST
FLOWER GARDEN REEF LOCATED
110 NAUTICAL MILES SOUTH OF
GALVESTON, TEXAS.

- 11 GULF OF MEXICO. OFFSHORE
- 2 SHARK TANK
- 4 PADRE ISLAND FISHING PIER
- 5 OIL RIG AND PILINGS
- 6 TEXAS OFFSHORE REEF
- 7 RESERVE TANK

AREA: 210 SF

DEPTH: 4 FT

CUBIC FEET: 838 CF

GALLONS: 6,265 G

VISUAL ACCESS: FRONT

FURNITURE/EQUIP.: WAVE MACHINE, TEMPERATURE AND SALINITY MONITORING
EQUIPMENT

**B1.7
RESERVE
TANK**

USER: OFFSHORE GULF OF MEXICO
SPECIMENS

SPECIAL CONSIDERATIONS:

FUNCTION:

- TO HOLD AND MAINTAIN A FRESH SUPPLY OF FILTERED AND TREATED WATER TO BE RECIRCULATED THRU THE SYSTEM OF TANKS IN THE GULF OF MEXICO EXHIBITS.

- 11 GULF OF MEXICO. OFFSHORE
2 SHARK TANK
4 PADRE ISLAND FISHING PIER
5 OIL RIG AND PILINGS
6 TEXAS OFFSHORE REEF
7 RESERVE TANK

AREA: 2,445 SF

DEPTH: 10 FT

CUBIC FEET: 24,455 CF

GALLONS: 191,753 G

VISUAL ACCESS: NONE

FURNITURE/EQUIP.: EXPOSED PLUMBING, COLOR CODED

**B 2.1
CORPUS
CHRISTI
BAY**

USER: CORPUS CHRISTI BAY FISHES,
TROUT, REDFISH, FLOUNDER,
AND DRUM

SPECIAL CONSIDERATIONS:

FUNCTION:

- TO SHOW THE TYPICAL SPECIES
FOUND IN THE CORPUS CHRISTI
BAY AREA.

21. CORPUS CHRISTI BAY
2. SCHOOLING TANK
3. LAGUNA MADRE FISH
4. GRASS FLATS
5. OYSTER BEDS
6. NUECES BAY ESTUARY
7. POLLUTION EFFECTS
8. BURROWING ORGANISMS
9. JETTY MARINE LIFE
10. TOUCH TANK, SALT MARSH LIFE
11. TOUCH TANK, C.C. SEASHORE LIFE
12. RESERVE TANK

AREA: 478 SF

DEPTH: 6 FT

CUBIC FEET: 2,871 CF

GALLONS: 21,480 G

VISUAL ACCESS: FRONT

FURNITURE/EQUIP: TEMPERATURE AND SALINITY CONTROL MONITORS

B 2.2
SCHOOLING
TANK

USER: A MASS OF SMALL GULF
 MENHADEN

SPECIAL CONSIDERATIONS:

FUNCTION:

- TO SHOW THE CHARACTERISTICS
 OF SCHOOLS OF FISH.

- 2.1 CORPUS CHRISTI BAY
- 2 SCHOOLING TANK
- 3 LAGUNA MADRE FISH
- 4 GRASS FLATS
- 5 OYSTER BEDS
- 6 NUECES BAY ESTUARY
- 7 POLLUTION EFFECTS
- 8 BURROWING ORGANISMS
- 9 JETTY MARINE LIFE
- 10 TOUCH TANK, SALT MARSH LIFE
- 11 TOUCH TANK, C.C. SEASHORE LIFE
- 12 RESERVE TANK

AREA: 365 SF

DEPTH: 5 FT

CUBIC FEET: 1.826 CF

GALLONS: 14,320 G

VISUAL ACCESS: FRONT

FURNITURE/EQUIP: FLEXIBLE LIGHTING, VARIABLE TEMPERATURE AND
 SALINITY CONTROL

**B 2.3
LAGUNA
MADRE
FISH**

USER: LAGUNA MADRE FISHES

SPECIAL CONSIDERATIONS:

FUNCTION:

- TO EXHIBIT THE VERY UNUSUAL SPECIES CALLED THE LAGUNA MADRE.

- 2.1 CORPUS CHRISTI BAY
- 2 SCHOOLING TANK
- 3 LAGUNA MADRE FISH
- 4 GRASS FLATS
- 5 OYSTER BEDS
- 6 NUECES BAY ESTUARY
- 7 POLLUTION EFFECTS
- 8 BURROWING ORGANISMS
- 9 JETTY MARINE LIFE
- 10 TOUCH TANK, SALT MARSH LIFE
- 11 TOUCH TANK, C.C. SEASHORE LIFE
- 12 RESERVE TANK

AREA: 100 SF

DEPTH: 3 FT

CUBIC FEET: 300 CF

GALLONS: 2,250 G

VISUAL ACCESS: FRONT

FURNITURE/EQUIP: TEMPERATURE AND SALINITY MONITORS

THE TEXAS STATE AQUARIUM * CORPUS CHRISTI, TX.

**B 24
GRASS
FLATS**

USER: SPECKLED TROUT, REDFISH,
GOBIES, CRABS, SMALL ORGAN-
ISMS, PIPEFISH, SEAHORSES,
JUVENILE FISHES AND INVERT-
IBRATES.

FUNCTION:
•TO SHOW THE STRANGE YET
WONDERFUL SPECIES THAT
ARE TYPICAL TO THE GRASS-
FLATS.

SPECIAL CONSIDERATIONS:

- VISUAL ACCESS MUST BE FROM
ABOVE AND BELOW THE WATER LINE.

- 21 CORPUS CHRISTI BAY
- 2 SCHOOLING TANK
- 3 LAGUNA MADRE FISH
- 4 GRASS FLATS
- 5 OYSTER BEDS
- 6 NUECES BAY ESTUARY
- 7 POLLUTION EFFECTS
- 8 BURROWING ORGANISMS
- 9 JETTY MARINE LIFE
- 10 TOUCH TANK. SALT MARSH LIFE
- 11 TOUCH TANK. C.C. SEASHORE LIFE
- 12 RESERVE TANK

AREA: 160 SF

DEPTH: 3 FT

CUBIC FEET: 458 CF

GALLONS: 3,595 G

VISUAL ACCESS: TOP AND FRONT

FURNITURE/EQUIP: TIDE SIMILATOR EQUIPMENT

B 2.5 OYSTER BEDS

USER: TOADFISH, CLINGFISH, CRESTED
BLENNY, BLACKDRUM, BRITTLE
STAR AND WHALK

SPECIAL CONSIDERATIONS:

- TANK IS DIVIDED INTO TWO
SEGMENTS- ONE WITH OYSTERS
AND THE OTHER WITHOUT.

FUNCTION:

- TO EXHIBIT HOW OYSTER BEDS
ADAPT, CLING TO AND CHANGE
THE SEA FLOOR ENVIRONMENT.

- 21 CORPUS CHRISTI BAY
- 2 SCHOOLING TANK
- 3 LAGUNA MADRE FISH
- 4 GRASS FLATS
- 5 OYSTER BEDS
- 6 NUECES BAY ESTUARY
- 7 POLLUTION EFFECTS
- 8 BURROWING ORGANISMS
- 9 JETTY MARINE LIFE
- 10 TOUCH TANK, SALT MARSH LIFE
- 11 TOUCH TANK, C.C. SEASHORE LIFE
- 12 RESERVE TANK

AREA: 100 SF

DEPTH: 3 FT

CUBIC FEET: 300 CF

GALLONS: 2,250 G

VISUAL ACCESS: FRONT

FURNITURE/EQUIP: SALINITY AND TEMPERATURE MONITORS

**B 2.6
NUECES
BAY
ESTUARY**

USER: CROAKER, SPOT AND SANDTROUT,
ANCHOVY, MULLET AND MENHADEN

SPECIAL CONSIDERATIONS:

FUNCTION:

- TO EXHIBIT THE TYPICAL FISH
FOUND IN THE NUECES BAY
ESTUARY.

- 2.1 CORPUS CHRISTI BAY
- 2 SCHOOLING TANK
- 3 LAGUNA MADRE FISH
- 4 GRASS FLATS
- 5 OYSTER BEDS
- 6 NUECES BAY ESTUARY
- 7 POLLUTION EFFECTS
- 8 BURROWING ORGANISMS
- 9 JETTY MARINE LIFE
- 10 TOUCH TANK, SALT MARSH LIFE
- 11 TOUCH TANK, C.C. SEASHORE LIFE
- 12 RESERVE TANK

AREA: 100 SF

DEPTH: 3 FT

CUBIC FEET: 3000 CF

GALLONS: 2,250 G

VISUAL ACCESS: FRONT

FURNITURE/EQUIP: TEMPERATURE AND SALINITY CONTROL EQUIPMENT

**B 2.7
POLLUTION
EFFECTS**

<p>USER: SMALL FISHES AND GROUND VEGETATION</p> <p>FUNCTION: •TO SHOW HOW THE AQUATIC LIFE ADAPTS TO OUR CHANGING ENVIRONMENT.</p>	<p>SPECIAL CONSIDERATIONS:</p>
------------------------------------------------------------------------------------------------------------------------------------------------------------------	---------------------------------------

- 2.1 CORPUS CHRISTI BAY
- 2 SCHOOLING TANK
- 3 LAGUNA MADRE FISH
- 4 GRASS FLATS
- 5 OYSTER BEDS
- 6 NUECES BAY ESTUARY
- 7 POLLUTION EFFECTS
- 8 BURROWING ORGANISMS
- 9 JETTY MARINE LIFE
- 10 TOUCH TANK, SALT MARSH LIFE
- 11 TOUCH TANK, C.C. SEASHORE LIFE
- 12 RESERVE TANK

<p>AREA: 60 SF</p> <p>DEPTH: 3 FT</p> <p>CUBIC FEET: 180 CF</p> <p>GALLONS: 1,345 G</p> <p>VISUAL ACCESS: FRONT AND ABOVE</p> <p>FURNITURE/EQUIP.: VARIABLE TEMPERATURE AND SALANITY CONTROL EQUIPMENT</p>

B 2.8 BURROWING ORGANISMS

USER: BURROWING ORGANISMS AND
SMALL FISH

SPECIAL CONSIDERATIONS:

- EXHIBIT WILL HAVE ONE THIRD
WATER AND TWO THIRDS GROUND/
SOIL, CUT AWAY.

FUNCTION:

- TO SHOW HOW ORGANISMS LIVE
UNDER THE SEA'S FLOOR.

- 21 CORPUS CHRISTI BAY
- 2 SCHOOLING TANK
- 3 LAGUNA MADRE FISH
- 4 GRASS FLATS
- 5 OYSTER BEDS
- 6 NUECES BAY ESTUARY
- 7 POLLUTION EFFECTS
- 8 BURROWING ORGANISMS
- 9 JETTY MARINE LIFE
- 10 TOUCH TANK, SALT MARSH LIFE
- 11 TOUCH TANK, C.C. SEASHORE LIFE
- 12 RESERVE TANK

AREA: 100 SF

DEPTH: 3 FT

CUBIC FEET: 300 CF

GALLONS: 2,250 G

VISUAL ACCESS: FRONT

FURNITURE/EQUIP: SALINITY AND TEMPERATURE MONITORS

B 2.9
JETTY
MARINE
LIFE

USER: CRESTED BLENNY, BLUE CRAB,
 SPOTTED JEWFISH, HERMIT CRAB,
 SHEEPS HEADFISH, ROCK BLENNY,
 SWIMMING CRAB

SPECIAL CONSIDERATIONS:

FUNCTION:

- TO SHOW THE TYPICAL SPECIES
 FOUND AROUND THE SURROUND-
 ING LAND MASSES.

- 21 CORPUS CHRISTI BAY
- 2 SCHOOLING TANK
- 3 LAGUNA MADRE FISH
- 4 GRASS FLATS
- 5 OYSTER BEDS
- 6 NUECES BAY ESTUARY
- 7 POLLUTION EFFECTS
- 8 BURROWING ORGANISMS
- 9 JETTY MARINE LIFE
- 10 TOUCH TANK, SALT MARSH LIFE
- 11 TOUCH TANK, C.C. SEASHORE LIFE
- 12 RESERVE TANK

AREA: 152 SF

DEPTH: 3 FT

CUBIC FEET: 457 CF

GALLONS: 3,584 G

VISUAL ACCESS: FRONT

FURNITURE/EQUIP: TIDE MACHINE

**B 2.10
TOUCH
TANK,
SALT
MARSH
LIFE**

USER: SALT MARSH GRASS, PERIWINKLE,
HERMIT CRAB, BLUE CRAB,
MULLET, KILLIFISH, NUMEROUS
JUVENILE FISH AND INVERT-
IBRATES

FUNCTION:

- TO ALLOW THE VISITORS TO TOUCH, HOLD AND SEE LIVING AQUATIC ANIMALS, THAT ARE TYPICAL TO THE SALT MARSHES.

SPECIAL CONSIDERATIONS:

- STEPS OR RAMPS UP TO EXHIBIT TO ENABLE CHILDREN AND THE ELDERLY TO TOUCH AND SEE THE EXHIBITS WITH EASE.

- 2.1 CORPUS CHRISTI BAY
- 2 SCHOOLING TANK
- 3 LAGUNA MADRE FISH
- 4 GRASS FLATS
- 5 OYSTER BEDS
- 6 NUECES BAY ESTUARY
- 7 POLLUTION EFFECTS
- 8 BURROWING ORGANISMS
- 9 JETTY MARINE LIFE
- 10 TOUCH TANK, SALT MARSH LIFE
- 11 TOUCH TANK, C.C. SEASHORE LIFE
- 12 RESERVE TANK

AREA: 50 SF

DEPTH: 3 FT

CUBIC FEET: 150 CF

GALLONS: 1,120 G

VISUAL ACCESS: FRONT AND ABOVE

FURNITURE/EQUIP: SALINITY AND TEMPERATURE CONTROL MONITOR

**B 2.11
TOUCH
TANK,
CORPUS
CHRISTI
SEASHORE
LIFE**

USER: CORPUS CHRISTI SEASHORE
LIFE

FUNCTION:

- TO ALLOW THE VISITORS TO TOUCH, HOLD, AND SEE LIVING AQUATIC ANIMALS, THAT ARE TYPICAL TO THE CORPUS CHRISTI SEASHORE.

SPECIAL CONSIDERATIONS:

- STEPS OR RAMPS UP TO THE EXHIBIT ENABLING CHILDREN AND THE ELDERLY TO TOUCH THE EXHIBITS WITH EASE.

- 21 CORPUS CHRISTI BAY
- 2 SCHOOLING TANK
- 3 LAGUNA MADRE FISH
- 4 GRASS FLATS
- 5 OYSTER BEDS
- 6 NUECES BAY ESTUARY
- 7 POLLUTION EFFECTS
- 8 BURROWING ORGANISMS
- 9 JETTY MARINE LIFE
- 10 TOUCH TANK, SALT MARSH LIFE
- 11 TOUCH TANK, C.C. SEASHORE LIFE
- 12 RESERVE TANK

AREA: 50 SF

DEPTH: 3 FT

CUBIC FEET: 150 CF

GALLONS: 1,120 G

VISUAL ACCESS: FRONT AND ABOVE

FURNITURE/EQUIP: SALINITY AND TEMPERATURE CONTROL MONITOR

**B 2.12
RESERVE
TANK**

<p>USER: TEXAS BAYS AND ESTUARIES SPECIMENS</p> <p>FUNCTION:</p> <ul style="list-style-type: none"> • TO HOLD AND MAINTAIN A FRESH SUPPLY OF FILTERED AND TREATED WATER TO BE RE-CIRCULATED THRU THE SYSTEM OF TANKS IN THE TEXAS BAYS AND ESTUARIES EXHIBITS. 	<p>SPECIAL CONSIDERATIONS:</p>
<p>AREA: 185 SF</p> <p>DEPTH: 10 FT</p> <p>CUBIC FEET: 1,856 CF</p> <p>GALLONS: 1,856 G</p> <p>VISUAL ACCESS: NONE</p> <p>FURNITURE/EQUIP: COLOR CODED EXPOSED PLUMBING</p>	

- 2.1 CORPUS CHRISTI BAY
- 2 SCHOOLING TANK
- 3 LAGUNA MADRE FISH
- 4 GRASS FLATS
- 5 OYSTER BEDS
- 6 NUECES BAY ESTUARY
- 7 POLLUTION EFFECTS
- 8 BURROWING ORGANISMS
- 9 JETTY MARINE LIFE
- 10 TOUCH TANK, SALT MARSH LIFE
- 11 TOUCH TANK, C.C. SEASHORE LIFE
- 12 RESERVE TANK

**B 3.1
YUCATAN
CORAL
REEF**

USER: CORALS, SEAFANS, BUTTERFLY FISH ANGELFISH, DAMSEL FISH, WRASSES, PARROT FISH, FILE FISH, TANGS AND SMALL NURSE SHARKS, LARGE REEF FISHES, RED GROUPER, NASSAU GROUPER, ROCK HIND, SNAPPERS, AND LARGE TRIGGER FISH.

FUNCTION:
•TO EXHIBIT A BACKGROUND OF REEF CORALS AND FOREGROUND OF BEAUTIFUL TROPICAL FISH TYPICAL OF THE YUCATAN REGION.

SPECIAL CONSIDERATIONS:

- DIVERS WILL ENTER THE EXHIBIT DURING PUBLIC HOURS, TO FEED THE ANIMALS BY HAND.

- 3.1 YUCATAN CORAL REEF
- 2 OFFSHORE PELAGIC FISH
- 3 MORAY EEL TANK
- 4 SEA GRASS MEADOW
- 5 DEEP REEF
- 6 JEWEL TANKS
- 7 RESERVE TANK

AREA: 1,000 SF

DEPTH: 12 FT

CUBIC FEET: 11,985 CF

GALLONS: 93,975 G

VISUAL ACCESS: 180°

FURNITURE/EQUIP: OVERHEAD HOIST, FLEXIBLE LIGHTING

**B 3.2
OFFSHORE
PELAGIC
FISH**

USER: AMBERJACK, JACK CREVALLE,
POMPANO AND BLUE RUNNER
FISHES

SPECIAL CONSIDERATIONS:

FUNCTION:
•TO EXHIBIT OFFSHORE PELAGIC
FISHES TYPICAL TO THE
CARIBBEAN

- 3.1 YUCATAN CORAL REEF
- 2 OFFSHORE PELAGIC FISH
- 3 MORAY EEL TANK
- 4 SEA GRASS MEADOW
- 5 DEEP REEF
- 6 JEWEL TANKS
- 7 RESERVE TANK

AREA: 150 SF

DEPTH: 4 FT

CUBIC FEET: 598 CF

GALLONS: 4,475 G

VISUAL ACCESS: FRONT

FURNITURE/EQUIP: TIDE SIMILATOR EQUIPMENT, SALINITY AND
TEMPERATURE CONTROL MONITOR

**B 3.3
MORAY
EEL
TANK**

USER: MORAY EELS

SPECIAL CONSIDERATIONS:

FUNCTION:

- TO EXHIBIT SEVERAL KINDS OF MORAY EELS PROJECTING FROM CREVICES ON THE CORAL REEF.

- 3.1 YUCATAN CORAL REEF
- 2 OFFSHORE PELAGIC FISH
- 3 MORAY EEL TANK
- 4 SEA GRASS MEADOW
- 5 DEEP REEF
- 6 JEWEL TANKS
- 7 RESERVE TANK

AREA: 153 SF

DEPTH: 3 FT

CUBIC FEET: 460 CF

GALLONS: 3,600 G

VISUAL ACCESS: FRONT

FURNITURE/EQUIP: FLEXIBLE LIGHTING, SALINITY AND TEMPERATURE CONTROL EQUIPMENT

**B 3.4
SEA
GRASS
MEADOW**

USER: PORGY, GERRIDS, SNAPPERS,
RUFFERS, FILE FISH, GOAT
FISH, GRUNTS, BUTTERFLY FISH,
PORCUPINE FISH AND SCORPION
FISH

FUNCTION:

- TO EXHIBIT THE RICH
TROPICAL BIOME WHICH IS
INHABITED BY MANY SPECIES
AND INVERTEBRATES.

SPECIAL CONSIDERATIONS:

- 3.1 YUCATAN CORAL REEF
- 2 OFFSHORE PELAGIC FISH
- 3 MORAY EEL TANK
- 4 SEA GRASS MEADOW
- 5 DEEP REEF
- 6 JEWEL TANKS
- 7 RESERVE TANK

AREA: 153 SF

DEPTH: 3 FT

CUBIC FEET: 460 CF

GALLONS: 3,600 G

VISUAL ACCESS: FRONT

FURNITURE/EQUIP: TIDE SIMILATOR EQUIPMENT AND SALANITY AND
TEMPERATURE CONTROL MONITORS

**B 3.5
DEEP
REEF**

USER: FAIRY BASSLET, BIG EYES,
CARPINAL FISH AND SQUIRREL
FISH

SPECIAL CONSIDERATIONS:

- SPECIAL LIGHTING INSIDE THE
THE EXHIBIT, BELOW THE DEEP
REEF TO UNDER-LIGHT IT.

FUNCTION:

- TO EXHIBIT THE UNIQUE YET
TYPICAL FISH FOUND IN THE
DEEPEST PARTS OF THE CORAL
REEF.

- 3.1 YUCATAN CORAL REEF
- 2 OFFSHORE PELAGIC FISH
- 3 MORAY EEL TANK
- 4 SEA GRASS MEADOW
- 5 DEEP REEF
- 6 JEWEL TANKS
- 7 RESERVE TANK

AREA: 100 SF

DEPTH: 3 FT

CUBIC FEET: 300 CF

GALLONS: 2,250 G

VISUAL ACCESS: FRONT

FURNITURE/EQUIP: WAVE MACHINE, TEMPERATURE AND SALINITY
MONITORING EQUIPMENT

B 3.6 JEWEL TANKS

USER: SMALL COLORFUL CARIBBEAN
JEWEL FISH

FUNCTION:

- TEN SMALL EXHIBITS SHOWING
VERY SPECIAL ORGANISMS FOUND
WITHIN THE VAST CARIBBEAN
SEA.

SPECIAL CONSIDERATIONS:

- THESE SMALL TANKS WILL BE
WELL LIT AND VERY COLORFUL
SO THE VISUAL ACCESS TO THEM
WILL BE OF GREAT IMPORTANCE,
SO THAT THEY DO NOT GET LOST
IN THE VAST EXHIBITS, IT IS
SUGGESTED TO DEDICATE AN INTIRE
WALL TO THESE FASCINATING LITTLE
EXHIBITS.

- 3.1 YUCATAN CORAL REEF
- 2 OFFSHORE PELAGIC FISH
- 3 MORAY EEL TANK
- 4 SEA GRASS MEADOW
- 5 DEEP REEF
- 6 JEWEL TANKS
- 7 RESERVE TANK

AREA: 26 SF EACH

DEPTH: 2 FT

CUBIC FEET: 53 CF EACH

GALLONS: 400 G EACH

VISUAL ACCESS: FRONT

FURNITURE/EQUIP: TEMPERATURE AND SALANITY MONITORS

B 3.7 RESERVE TANK

USER: CARIBBEAN FISH

SPECIAL CONSIDERATIONS:

FUNCTION:

- TO HOLD AND MAINTAIN A FRESH SUPPLY OF FILTERED AND TREATED WATER TO BE RECIRCULATED THRU THE SYSTEM OF TANKS IN THE CARIBBEAN EXHIBITS.

- 3.1 YUCATAN CORAL REEF
- 2 OFFSHORE PELAGIC FISH
- 3 MORAY EEL TANK
- 4 SEA GRASS MEADOW
- 5 DEEP REEF
- 6 JEWEL TANKS
- 7 RESERVE TANK

AREA: 356 SF

DEPTH: 10 FT

CUBIC FEET: 3,567 CF

GALLONS: 27,975 G

VISUAL ACCESS: NONE

FURNITURE/EQUIP: COLOR CODED EXPOSED PLUMBING

**B4.1
SEA
TURTLE
TANK**

USER: SEA TURTLES

SPECIAL CONSIDERATIONS:

- VISUAL ACCESS IS FROM ABOVE ONLY
- SANDY BEACH IS REQUIRED FOR TURTLES TO LAY EGGS.

FUNCTION:

- TO EXHIBIT SEA TURTLES, SWIMMING IN CLEAR WATER FROM ABOVE AND TO SHOW WHEN THE TIME COMES, THE TURTLES LAYING EGGS ON THE SANDY EMBANKMENT.

41 SEA TURTLE TANK
2 RESERVE TANK

AREA: 1,000 SF

DEPTH: 12 FT

CUBIC FEET: 11,964 CF

GALLONS: 89,500 G

VISUAL ACCESS: 180°

FURNITURE/EQUIP: FLEXIBLE LIGHTING, SALINITY AND TEMPERATURE CONTROL EQUIPMENT

**B4.2
RESERVE
TANK**

USER: SEA TURTLES

SPECIAL CONSIDERATIONS:

FUNCTION:

- TO HOLD AND MAINTAIN A FRESH SUPPLY OF FILTERED AND TREATED WATER TO BE RECIRCULATED THRU THE SYSTEM OF TANKS IN THE SEA TURTLE EXHIBIT.

41 SEA TURTLE TANK
2 RESERVE TANK

AREA: 299 SF

DEPTH: 10 FT

CUBIC FEET: 2,990 CF

GALLONS: 22,375 G

VISUAL ACCESS: NONE

FURNITURE/EQUIP: COLOR CODED EXPOSED PLUMBING

B 5.1 DOLPHIN TANK

USER: DOLPHINS AND DIVERS

FUNCTION:

- TO ENTERTAIN THE PUBLIC WITH SMALL SHOWS, DIRECTED BY TRAINERS, EMPHASIZING CONSERVATION, BIOLOGY AND ECOLOGY OF TEXAS COASTAL MARINE ANIMALS.

SPECIAL CONSIDERATIONS:

- LARGE AREAS AROUND EXHIBIT FOR STANDING OBSERVERS.
- THERE MUST BE A WATER-LEVEL PLATFORM INWHICH THE TRAINERS WILL PRESENT FROM.
- A SMALL BACK STAGE OR HIDDEN ENTRY TO THE 'STAGE' IS REQUIRED.
- PROTECTION FROM SPLASH MUST BE CONSIDERED.
- VISUAL ACCESSIBILITY TO THE TANK MUST BE CLEAR AND UNOBSTRUCTED.
- CIRCULATION MUST STAY FREE, EVEN WHEN LARGE GROUPS STOP TO WATCH THE SHOW.

5.1 DOLPHIN TANK
2 RESERVE TANK

AREA: 3,000 SF

DEPTH: 15 FT

CUBIC FEET: 45,000 CF

GALLONS: 336,645 G

VISUAL ACCESS: 270°

FURNITURE/EQUIP: FLEXIBLE LIGHTING, OVERHEAD HOIST

**B5.2
RESERVE
TANK**

USER: DOLPHINS

SPECIAL CONSIDERATIONS:

FUNCTION:

- TO HOLD AND MAINTAIN A FRESH SUPPLY OF FILTERED AND TREATED WATER TO BE RECIRCULATED THRU THE SYSTEM OF THE DOLPHIN TANK AND THE FOUR EXHIBIT TRAYS

5.1 DOLPHIN TANK
2 RESERVE TANK

AREA: 1,125 SF

DEPTH: 10 FT

CUBIC FEET: 11,250 CF

GALLONS: 8,4161 G

VISUAL ACCESS: NONE

FURNITURE/EQUIP: COLOR CODED EXPOSED PLUMBING

B6 EXHIBIT TRAYS

USER: ASSORTED SPECIES OF ROCK
POOL FISH

SPECIAL CONSIDERATIONS:

- TRAYS ARE TO STEP DOWN ONTO
EACH OTHER WITH RUNNING WATER
FLOWING FROM ONE TO THE OTHER
- FOUR TRAYS AT 38 SF EACH

FUNCTION:

- TO EXHIBIT SOME OF THE
SPECIES BEING HANDLED BY
FISHERMAN ALONG THE LAND
MASSES.

6 EXHIBIT TRAYS

AREA: 38 SF EACH (FOUR TRAYS)

DEPTH: 2 FT

CUBIC FEET: 75 CF EACH

GALLONS: 560 G EACH

VISUAL ACCESS: TOP ONLY

FURNITURE/EQUIP:

**B7
TEXAS
COASTAL
RIVER
OTTER
TANK**

USER: OTTERS, CLAMS

SPECIAL CONSIDERATIONS:

FUNCTION:

- TO EXHIBIT AND ENTERTAIN THE VISITORS WITH THE FUN LOVING RIVER OTTERS.

7 TEXAS COASTAL RIVER OTTER TANK

AREA: 152 SF

DEPTH: 3 FT

CUBIC FEET: 457 CF

GALLONS: 3,584 G

VISUAL ACCESS: TOP AND FRONT

FURNITURE/EQUIP: FLEXIBLE LIGHTING, TEMPERATURE AND SALINITY MONITORS

**B8.1
NUECES
RIVER
ECOLOGY
TANK**

USER: 44 FRESHWATER AND TERRESTRIAL SPECIMENS, WATER FOWL, FAUNA, REPTILES AND MAMMALS

FUNCTION:

- EXHIBITS THE FASCINATING FRESHWATER AND TERRESTRIAL ECOLOGY OF THE NUECES RIVER REGION.

SPECIAL CONSIDERATIONS:

- THIS EXHIBIT MAY BE LOCATED INSIDE THE COMPLEX OR OUTSIDE THE FACILITY WITHIN THE OUT-DOOR PLAZA.

8.1 NUECES RIVER ECOLOGY TANK
2 RESERVE TANK

AREA: 478 SF

DEPTH: 6 FT

CUBIC FEET: 2,871 CF

GALLONS: 21,480 G

VISUAL ACCESS: TOP AND FRONT

FURNITURE/EQUIP: SALINITY AND TEMPERATURE MONITORS

**B8.2
RESERVE
TANK**

USER: NUECES RIVER SPECIMENS

SPECIAL CONSIDERATIONS:

FUNCTION:

- TO HOLD AND MAINTAIN A FRESH SUPPLY OF FILTERED AND TREATED WATER TO BE RECIRCULATED THRU THE SYSTEM OF TANKS IN THE NUECES RIVER EXHIBIT.

8.1 NUECES RIVER ECOLOGY TANK
2 RESERVE TANK

AREA: 68 SF

DEPTH: 10 FT

CUBIC FEET: 685 CF

GALLONS: 5, 370 G

VISUAL ACCESS: NONE

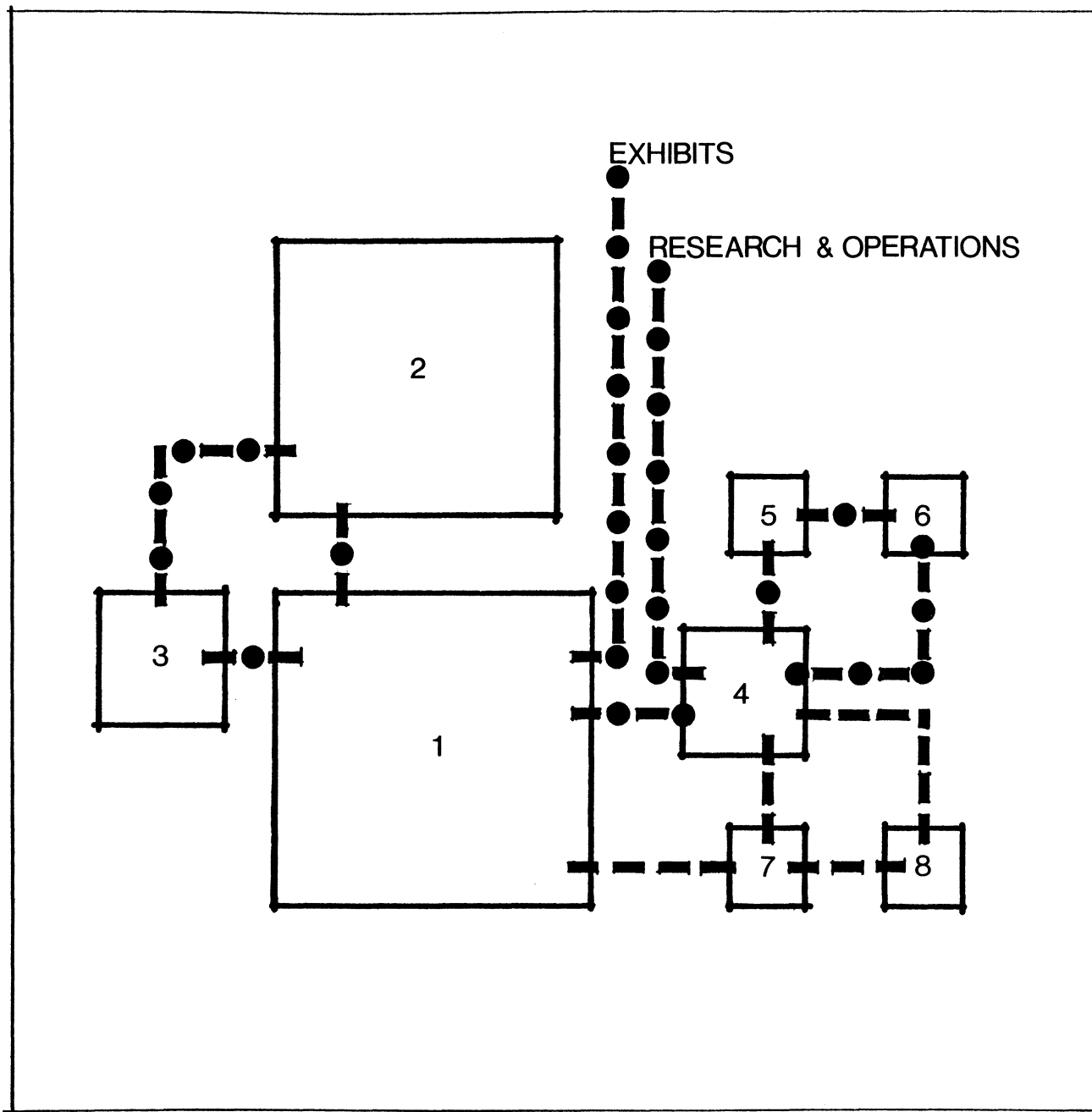
FURNITURE/EQUIP.: COLOR CODED EXPOSED PLUMBING

CURITORIAL

C CURITORIAL

C 1.1	GULF OF MEXICO BACK-UP	3253
C 1.2	TEXAS BAYS AND ESTUARIES BACK-UP	650
C 1.3	CARIBBEAN BACK-UP	724
C 1.4	SEA TURTLE BACK-UP	433
C 1.5	DOLPHIN TANK BACK-UP	1375
C 1.6	TRAY BACK-UP	202
C 1.7	TEXAS COASTAL RIVER OTTER BACK-UP	50
C 1.8	NUECES RIVER ECOLOGY BACK-UP	364
C 2.1	GULF OF MEXICO HOLDING	2440
C 2.2	TEXAS BAYS AND ESTUARIES HOLDING	475
C 2.3	CARIBBEAN HOLDING	543
C 2.4	SEA TURTLE HOLDING	325
C 2.5	DOLPHIN HOLDING	1030
C 2.6	NUECES RIVER ECOLOGY HOLDING	300
C 3	QUARANTINE	700
C 4	FOOD PREPARATION	600
C 5	FREEZER ROOM	380
C 6	COOL ROOM	150
C 7	AQUARIST OFFICE	200
C 8	AQUARIST LABORATORY	200
		14394

FUNCTIONAL RELATIONSHIP DIAGRAM



LEGEND

PUBLIC	
STAFF	
SERVICE	
STAFF/SERVICE	
BUSINESS	

THE TEXAS STATE AQUARIUM * CORPUS CHRISTI, TX.

C1.1
 GULF OF
 MEXICO
 BACK-UP

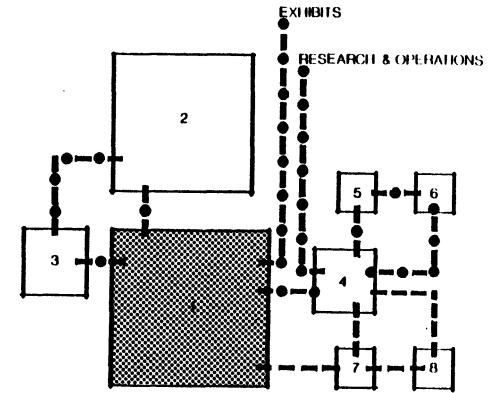
USER: OPERATIONAL AND CURITORIAL STAFF, GULF ANIMALS
FUNCTION:

- PROVIDE AN AREA THAT ENABLES THE OPERATIONAL AND CURITORIAL STAFF TO MONITOR, FEED AND MAINTAIN THE EXHIBITS.

SPECIAL CONSIDERATIONS:

- ADEQUATE CIRCULATION TO ALLOW FREE FLOW OF MOVABLE EQUIPMENT AND STAFF.
- MATERIALS SHOULD BE EASY TO CLEAN AND DURABLE.

BUBBLE DIAGRAM



- 1.1 GULF OF MEXICO BACK-UP
- 1.2 TEXAS BAYS AND ESTUARIES BACK-UP
- 1.3 CARIBBEAN BACK-UP
- 1.4 SEA TURTLE BACK-UP
- 1.5 DOLPHIN TANK BACK-UP
- 1.6 TRAY BACK-UP
- 1.7 TEXAS COASTAL RIVER OTTER BACK-UP
- 1.8 NUECES RIVER ECOLOGY BACK-UP
- 2.1 GULF OF MEXICO HOLDING
- 2.2 TEXAS BAYS AND ESTUARIES HOLDING
- 2.3 CARIBBEAN HOLDING
- 2.4 SEA TURTLE HOLDING
- 2.5 DOLPHIN HOLDING
- 2.6 NUECES RIVER ECOLOGY HOLDING
- 3 QUARANTINE
- 4 FOOD PREP.
- 5 FREEZER
- 6 COOL ROOM
- 7 AQUARIST OFFICE
- 8 AQUARIST LABORATORY

AREA: 3,253 SF

HEIGHT: VARIABLE

FINISHES IMAGE: PRIVATE, ORGANIZED FUNCTIONAL **CEILING:** HARD- TILE

FLOOR: HARD- TILE **WALLS:** HARD- TILE

SYSTEMS HVAC: MULTI ZONE- LOW VEL **PLUMBING:** FLOOR DRAINS AND PLUMBING ACCESS

LIGHTING: AMBIENT WITH DIMMERS

FURNITURE /EQUIP.: MONITORING EQUIPMENT, WALL DESKS, DEEP WASH BASIN

**C1.2
TEXAS
BAYS &
ESTUARIES
BACK-UP**

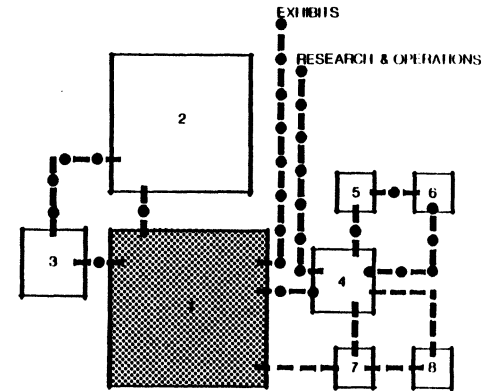
USER: OPERATIONAL AND CURITORIAL STAFF, TX. BAY & EST. FISH
FUNCTION:

- PROVIDE AN AREA THAT ENABLES THE OPERATIONAL AND CURITORIAL STAFF TO MONITOR, FEED AND MAINTAIN THE EXHIBITS.

SPECIAL CONSIDERATIONS:

- ADEQUATE CIRCULATION TO ALLOW FREE FLOW OF MOVABLE EQUIPMENT AND STAFF.
- MATERIALS SHOULD BE EASY TO CLEAN AND DURABLE.

BUBBLE DIAGRAM



- 1.1 GULF OF MEXICO BACK-UP
- 1.2 TEXAS BAYS AND ESTUARIES BACK-UP
- 1.3 CARIBBEAN BACK-UP
- 1.4 SEA TURTLE BACK-UP
- 1.5 DOLPHIN TANK BACK-UP
- 1.6 TRAY BACK-UP
- 1.7 TEXAS COASTAL RIVER OTTER BACK-UP
- 1.8 NUECES RIVER ECOLOGY BACK-UP
- 2.1 GULF OF MEXICO HOLDING
- 2.2 TEXAS BAYS AND ESTUARIES HOLDING
- 2.3 CARIBBEAN HOLDING
- 2.4 SEA TURTLE HOLDING
- 2.5 DOLPHIN HOLDING
- 2.8 NUECES RIVER ECOLOGY HOLDING
- 3 QUARANTINE
- 4 FOOD PREP.
- 5 FREEZER
- 6 COOL ROOM
- 7 AQUARIST OFFICE
- 8 AQUARIST LABORATORY

AREA: 650 SF
HEIGHT: 10-12 FT

FINISHES IMAGE: PRIVATE, ORGANIZED FUNCTIONAL **CEILING:** HARD- TILE

FLOOR: HARD- TILE **WALLS:** HARD- TILE

SYSTEMS HVAC: MULTI ZONE- LOW VEL **PLUMBING:** FLOOR DRAINS AND PLUMBING ACCESS

LIGHTING: AMBIENT WITH DIMMERS

FURNITURE /EQUIP.: MONITORING EQUIPMENT, WALL DESKS, DEEP WASH BASIN

C1.3 CARIBBEAN BACK-UP

USER: OPERATIONAL AND CURATORIAL STAFF, CARIBBEAN ANIMALS

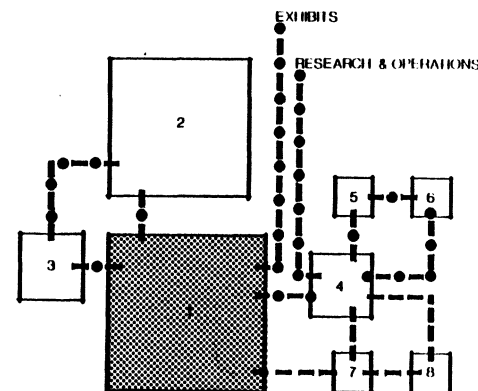
FUNCTION:

- PROVIDE AN AREA THAT ENABLES THE OPERATIONAL AND CURATORIAL STAFF TO MONITOR, FEED AND MAINTAIN THE EXHIBITS.

SPECIAL CONSIDERATIONS:

- ADEQUATE CIRCULATION TO ALLOW FREE FLOW OF MOVABLE EQUIPMENT AND STAFF.
- MATERIALS SHOULD BE EASY TO CLEAN AND DURABLE.

BUBBLE DIAGRAM



- 1.1 GULF OF MEXICO BACK-UP
- 1.2 TEXAS BAYS AND ESTUARIES BACK-UP
- 1.3 CARIBBEAN BACK-UP
- 1.4 SEA TURTLE BACK-UP
- 1.5 DOLPHIN TANK BACK-UP
- 1.6 TRAY BACK-UP
- 1.7 TEXAS COASTAL RIVER OTTER BACK-UP
- 1.8 NUECES RIVER ECOLOGY BACK-UP
- 2.1 GULF OF MEXICO HOLDING
- 2.2 TEXAS BAYS AND ESTUARIES HOLDING
- 2.3 CARIBBEAN HOLDING
- 2.4 SEA TURTLE HOLDING
- 2.5 DOLPHIN HOLDING
- 2.6 NUECES RIVER ECOLOGY HOLDING
- 3 QUARANTINE
- 4 FOOD PREP.
- 5 FREEZER
- 6 COOL ROOM
- 7 AQUARIST OFFICE
- 8 AQUARIST LABORATORY

AREA: 724 SF

HEIGHT: VARIABLE

FINISHES IMAGE: PRIVATE, ORGANIZED, FUNCTIONAL

CEILING: HARD-TILE

FLOOR: HARD-TILE

WALLS: HARD-TILE

SYSTEMS HVAC: MULTI ZONE- LOW VEL

PLUMBING: FLOOR DRAINS AND PLUMBING ACCESS

LIGHTING: AMBIENT WITH DIMMERS

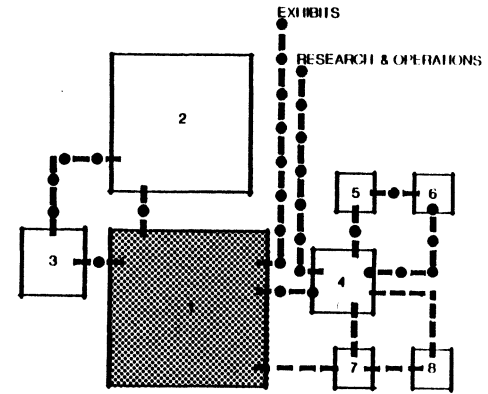
FURNITURE /EQUIP.: MONITORING EQUIPMENT, WALL DESKS, DEEP WASH BASIN

**C1.4
SEA
TURTLE
BACK-UP**

USER: OPERATIONAL AND CURITORIAL STAFF, SEA TURTLES
FUNCTION:
 •PROVIDE AN AREA THAT ENABLES THE OPERATIONAL AND CURITORIAL STAFF TO MONITOR, FEED AND MAINTAIN THE EXHIBITS.

SPECIAL CONSIDERATIONS:
 •ADEQUATE CIRCULATION TO ALLOW FREE FLOW OF MOVABLE EQUIPMENT AND STAFF.
 •MATERIALS SHOULD BE EASY TO CLEAN AND DURABLE.

BUBBLE DIAGRAM



- 1.1 GULF OF MEXICO BACK-UP
- 1.2 TEXAS BAYS AND ESTUARIES BACK -UP
- 1.3 CARIBBEAN BACK-UP
- 1.4 SEA TURTLE BACK-UP
- 1.5 DOLPHIN TANK BACK-UP
- 1.6 TRAY BACK -UP
- 1.7 TEXAS COASTAL RIVER OTTER BACK-UP
- 1.8 NUECES RIVER ECOLOGY BACK-UP
- 2.1 GULF OF MEXICO HOLDING
- 2.2 TEXAS BAYS AND ESTUARIES HOLDING
- 2.3 CARIBBEAN HOLDING
- 2.4 SEA TURTLE HOLDING
- 2.5 DOLPHIN HOLDING
- 2.6 NUECES RIVER ECOLOGY HOLDING
- 3 QUARANTINE
- 4 FOOD PREP.
- 5 FREEZER
- 6 COOL ROOM
- 7 AQUARIST OFFICE
- 8 AQUARIST LABORATORY

AREA: 433 SF
HEIGHT: 10-12 FT

FINISHES IMAGE: PRIVATE, ORGANIZED FUNCTIONAL **CEILING:** HARD- TILE

FLOOR: HARD- TILE **WALLS:** HARD- TILE

SYSTEMS HVAC: MULTI ZONE- LOW VEL **PLUMBING:** FLOOR DRAINS AND PLUMBING ACCESS

LIGHTING: AMBIENT WITH DIMMERS

FURNITURE/EQUIP.: MONITORING EQUIPMENT, WALL DESKS, DEEP WASH BASIN

**C1.5
DOLPHIN
TANK
BACK-UP**

USER: OPERATIONAL AND CURITORIAL STAFF, DOLPHINS

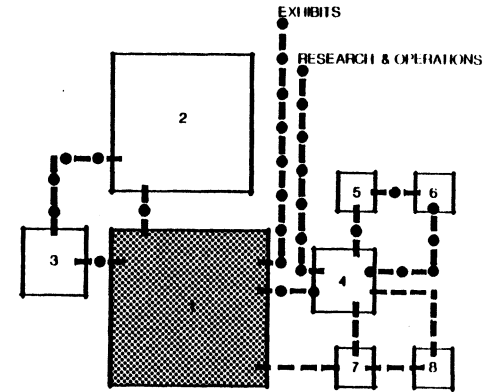
FUNCTION:

- PROVIDE AN AREA THAT ENABLES THE OPERATIONAL AND CURITORIAL STAFF TO MONITOR, FEED AND MAINTAIN THE EXHIBITS.

SPECIAL CONSIDERATIONS:

- ADEQUATE CIRCULATION TO ALLOW FREE FLOW OF MOVABLE EQUIPMENT AND STAFF
- MATERIALS SHOULD BE EASY TO CLEAN AND DURABLE

BUBBLE DIAGRAM



- 1.1 GULF OF MEXICO BACK-UP
- 1.2 TEXAS BAYS AND ESTUARIES BACK -UP.
- 1.3 CARIBBEAN BACK-UP
- 1.4 SEA TURTLE BACK-UP
- 1.5 DOLPHIN TANK BACK-UP
- 1.6 TRAY BACK -UP
- 1.7 TEXAS COASTAL RIVER OTTER BACK-UP
- 1.8 NUECES RIVER ECOLOGY BACK-UP
- 2.1 GULF OF MEXICO HOLDING
- 2.2 TEXAS BAYS AND ESTUARIES HOLDING
- 2.3 CARIBBEAN HOLDING
- 2.4 SEA TURTLE HOLDING
- 2.5 DOLPHIN HOLDING
- 2.8 NUECES RIVER ECOLOGY HOLDING
- 3 QUARANTINE
- 4 FOOD PREP.
- 5 FREEZER
- 6 COOL ROOM
- 7 AQUARIST OFFICE
- 8 AQUARIST LABORATORY

AREA: 1.375 SF

HEIGHT: VARIABLE

FINISHES IMAGE: PRIVATE, ORGANIZED FUNCTIONAL **CEILING:** HARD- TILE

FLOOR: HARD- TILE **WALLS:** HARD- TILE

SYSTEMS HVAC: MULTI ZONE- LOW VEL **PLUMBING:** FLOOR DRAINS AND PLUMBING ACCESS

LIGHTING: AMBIENT WITH DIMMERS

FURNITURE/EQUIP.: MONITORING EQUIPMENT, WALL DESKS, DEEP WASH BASIN

**C1.6
TRAY
BACK-UP**

USER: OPERATIONAL AND CURATORIAL STAFF, TRAY ANIMALS

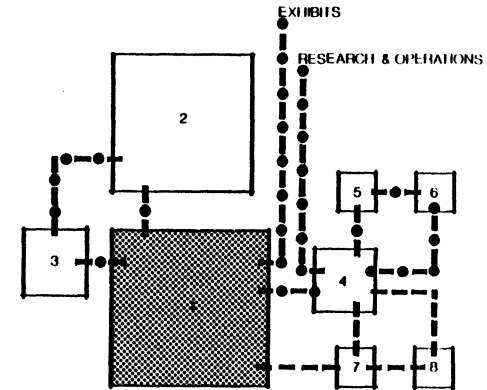
FUNCTION:

- PROVIDE AN AREA THAT ENABLES THE OPERATIONAL AND CURATORIAL STAFF TO MONITOR, FEED AND MAINTAIN THE EXHIBITS.

SPECIAL CONSIDERATIONS:

- ADEQUATE CIRCULATION TO ALLOW FREE FLOW OF MOVABLE EQUIPMENT AND STAFF
- MATERIALS SHOULD BE EASY TO CLEAN AND DURABLE.

BUBBLE DIAGRAM



- 1.1 GULF OF MEXICO BACK-UP
- 1.2 TEXAS BAYS AND ESTUARIES BACK-UP
- 1.3 CARIBBEAN BACK-UP
- 1.4 SEA TURTLE BACK-UP
- 1.5 DOLPHIN TANK BACK-UP
- 1.6 TRAY BACK-UP
- 1.7 TEXAS COASTAL RIVER OTTER BACK-UP
- 1.8 NUECES RIVER ECOLOGY BACK-UP
- 2.1 GULF OF MEXICO HOLDING
- 2.2 TEXAS BAYS AND ESTUARIES HOLDING
- 2.3 CARIBBEAN HOLDING
- 2.4 SEA TURTLE HOLDING
- 2.5 DOLPHIN HOLDING
- 2.6 NUECES RIVER ECOLOGY HOLDING
- 3 QUARANTINE
- 4 FOOD PREP.
- 5 FREEZER
- 6 COOL ROOM
- 7 AQUARIST OFFICE
- 8 AQUARIST LABORATORY

AREA: 202 SF

HEIGHT: 10-12 FT

FINISHES IMAGE: PRIVATE, ORGANIZED FUNCTIONAL **CEILING:** HARD- TILE

FLOOR: HARD- TILE **WALLS:** HARD- TILE

SYSTEMS HVAC: MULTI ZONE- LOW VEL **PLUMBING:** FLOOR DRAINS AND PLUMBING ACCESS

LIGHTING: AMBIENT WITH DIMMERS

FURNITURE /EQUIP.: MONITORING EQUIPMENT, WALL DESKS, DEEP WASH BASIN

**C1.7
TEXAS
COASTAL
RIVER
OTTER
BACK-UP**

<p>USER: OPERATIONAL AND CURITORIAL STAFF, OTTERS</p> <p>FUNCTION:</p> <ul style="list-style-type: none"> •PROVIDE AN AREA THAT ENABLES THE OPERATIONAL AND CURITORIAL STAFF TO MONITOR, FEED AND MAINTAIN THE EXHIBITS. <p>SPECIAL CONSIDERATIONS:</p> <ul style="list-style-type: none"> •ADEQUATE CIRCULATION TO ALLOW FREE FLOW OF MOVABLE EQUIPMENT AND STAFF. •MATERIALS SHOULD BE EASY TO CLEAN AND DURABLE. 	<p>BUBBLE DIAGRAM</p>
---------------------------------------------------------------------------------------------------------------------------------------------------------------------------------------------------------------------------------------------------------------------------------------------------------------------------------------------------------------------------------------------------------------------------------------------------------------------------------	------------------------------

- 1.1 GULF OF MEXICO BACK-UP
- 1.2 TEXAS BAYS AND ESTUARIES BACK-UP
- 1.3 CARIBBEAN BACK-UP
- 1.4 SEA TURTLE BACK-UP
- 1.5 DOLPHIN TANK BACK-UP
- 1.6 TRAY BACK-UP
- 1.7 TEXAS COASTAL RIVER OTTER BACK-UP
- 1.8 NUECES RIVER ECOLOGY BACK-UP
- 2.1 GULF OF MEXICO HOLDING
- 2.2 TEXAS BAYS AND ESTUARIES HOLDING
- 2.3 CARIBBEAN HOLDING
- 2.4 SEA TURTLE HOLDING
- 2.5 DOLPHIN HOLDING
- 2.6 NUECES RIVER ECOLOGY HOLDING
- 3 QUARANTINE
- 4 FOOD PREP.
- 5 FREEZER
- 6 COOL ROOM
- 7 AQUARIST OFFICE
- 8 AQUARIST LABORATORY

AREA:	50 SF		
HEIGHT:	10-12 FT		
FINISHES	IMAGE:	PRIVATE, ORGANIZED FUNCTIONAL	CEILING: HARD- TILE
	FLOOR:	HARD- TILE	WALLS: HARD- TILE
SYSTEMS	HVAC:	MULTI ZONE- LOW VEL	PLUMBING: FLOOR DRAINS AND PLUMBING ACCESS
	LIGHTING:	AMBIENT WITH DIMMERS	
FURNITURE /EQUIP.:	MONITORING EQUIPMENT, WALL DESKS, DEEP WASH BASIN		

**C1.8
NUECES
RIVER
ECOLOGY
BACK-UP**

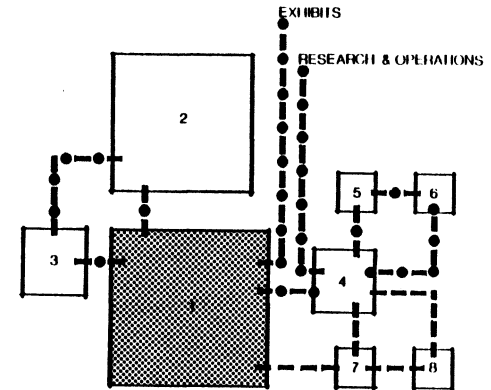
USER: OPERATIONAL AND CURITORIAL STAFF, NUECES RIVER ANIMALS
FUNCTION:

- PROVIDE AN AREA THAT ENABLES THE OPERATIONAL AND CURITORIAL STAFF TO MONITOR, FEED AND MAINTAIN THE EXHIBITS.

SPECIAL CONSIDERATIONS:

- ADEQUATE CIRCULATION TO ALLOW FREE FLOW OF MOVABLE EQUIPMENT AND STAFF.
- MATERIALS SHOULD BE EASY TO CLEAN AND DURABLE.

BUBBLE DIAGRAM



- 1.1 GULF OF MEXICO BACK-UP
- 1.2 TEXAS BAYS AND ESTUARIES BACK-UP
- 1.3 CARIBBEAN BACK-UP
- 1.4 SEA TURTLE BACK-UP
- 1.5 DOLPHIN TANK BACK-UP
- 1.6 TRAY BACK-UP
- 1.7 TEXAS COASTAL RIVER OTTER BACK-UP
- 1.8 NUECES RIVER ECOLOGY BACK-UP
- 2.1 GULF OF MEXICO HOLDING
- 2.2 TEXAS BAYS AND ESTUARIES HOLDING
- 2.3 CARIBBEAN HOLDING
- 2.4 SEA TURTLE HOLDING
- 2.5 DOLPHIN HOLDING
- 2.6 NUECES RIVER ECOLOGY HOLDING
- 3 QUARANTINE
- 4 FOOD PREP
- 5 FREEZER
- 6 COOL ROOM
- 7 AQUARIST OFFICE
- 8 AQUARIST LABORATORY

AREA: 364 SF

HEIGHT: 10-12 FT

FINISHES IMAGE: PRIVATE, ORGANIZED FUNCTIONAL **CEILING:** HARD- TILE

FLOOR: HARD- TILE **WALLS:** HARD- TILE

SYSTEMS HVAC: MULTI ZONE- LOW VEL **PLUMBING:** FLOOR DRAINS AND PLUMBING ACCESS

LIGHTING: AMBIENT WITH DIMMERS

FURNITURE/EQUIP.: MONITORING EQUIPMENT, WALL DESKS, DEEP WASH BASIN

C 2.1 GULF OF MEXICO HOLDING

USER: OPERATIONAL AND CURATORIAL STAFF, GULF ANIMALS

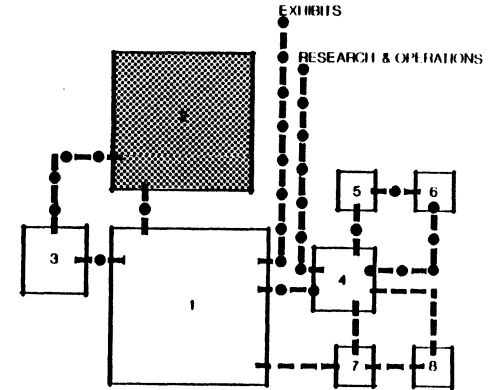
FUNCTION:

- TO PROVIDE AN AREA FOR STAFF CIRCULATION AND HOLDING TANK FOR SICK OR RESERVED GULF OF MEXICO ANIMALS.

SPECIAL CONSIDERATIONS:

- SEPERATE WATER RESERVOIR AND CIRCULATION.
- ADEQUATE CIRCULATION TO ALLOW FREE FLOW OF MOVABLE EQUIPMENT AND STAFF.
- HOLDING TANK DEPTH IS 4 FT.

BUBBLE DIAGRAM



- 1.1 GULF OF MEXICO BACK-UP
- 1.2 TEXAS BAYS AND ESTUARIES BACK-UP
- 1.3 CARIBBEAN BACK-UP
- 1.4 SEA TURTLE BACK-UP
- 1.5 DOLPHIN TANK BACK-UP
- 1.6 TRAY BACK-UP
- 1.7 TEXAS COASTAL RIVER OTTER BACK-UP
- 1.8 NUECES RIVER ECOLOGY BACK-UP
- 2.1 GULF OF MEXICO HOLDING
- 2.2 TEXAS BAYS AND ESTUARIES HOLDING
- 2.3 CARIBBEAN HOLDING
- 2.4 SEA TURTLE HOLDING
- 2.5 DOLPHIN HOLDING
- 2.6 NUECES RIVER ECOLOGY HOLDING
- 3 QUARANTINE
- 4 FOOD PREP.
- 5 FREEZER
- 6 COOL ROOM
- 7 AQUARIST OFFICE
- 8 AQUARIST LABORATORY

AREA: 2,440 SF

HEIGHT: VARIABLE

FINISHES IMAGE: CLEAN, PRIVATE

CEILING: HARD- TILE

FLOOR: HARD- TILE

WALLS: HARD- TILE

SYSTEMS HVAC: MULTI ZONE- LOW VEL

PLUMBING: FLOOR DRAINS AND PLUMBING ACCESS

LIGHTING: SPECIAL AMBIENT

FURNITURE /EQUIP.: OVERHEAD HOIST

C2.2 TEXAS BAYS & ESTUARIES HOLDING

USER: OPERATIONAL AND CURATORIAL
STAFF, TX. BAY & EST. FISH

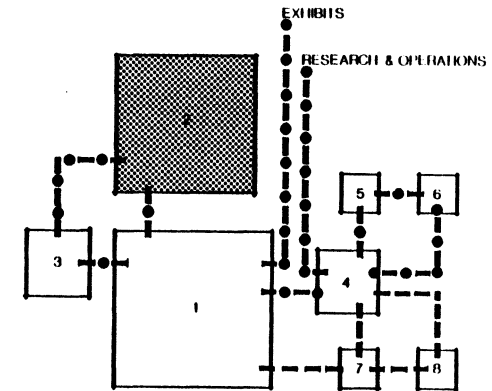
FUNCTION:

- TO PROVIDE AN AREA FOR STAFF CIRCULATION AND HOLDING TANK FOR SICK OR RESERVED TEXAS BAY AND ESTUARIES ANIMALS.

SPECIAL CONSIDERATIONS:

- SEPERATE WATER RESERVOIR AND CIRCULATION
- ADEQUATE CIRCULATION TO ALLOW FREE FLOW OF MOVABLE EQUIPMENT AND STAFF.
- HOLDING TANK DEPTH IS 3 FT.

BUBBLE DIAGRAM



- 1.1 GULF OF MEXICO BACK-UP
- 1.2 TEXAS BAYS AND ESTUARIES BACK-UP
- 1.3 CARIBBEAN BACK-UP
- 1.4 SEA TURTLE BACK-UP
- 1.5 DOLPHIN TANK BACK-UP
- 1.6 TRAY BACK-UP
- 1.7 TEXAS COASTAL RIVER OTTER BACK-UP
- 1.8 NUECES RIVER ECOLOGY BACK-UP
- 2.1 GULF OF MEXICO HOLDING
- 2.2 TEXAS BAYS AND ESTUARIES HOLDING
- 2.3 CARIBBEAN HOLDING
- 2.4 SEA TURTLE HOLDING
- 2.5 DOLPHIN HOLDING
- 2.6 NUECES RIVER ECOLOGY HOLDING
- 3 QUARANTINE
- 4 FOOD PREP.
- 5 FREEZER
- 6 COOL ROOM
- 7 AQUARIST OFFICE
- 8 AQUARIST LABORATORY

AREA: 475 SF

HEIGHT: VARIABLE

FINISHES IMAGE: CLEAN, PRIVATE **CEILING:** HARD- TILE

FLOOR: HARD- TILE **WALLS:** HARD- TILE

SYSTEMS HVAC: MULTI ZONE- LOW VEL **PLUMBING:** FLOOR DRAINS AND PLUMBING ACCESS

LIGHTING: SPECIAL AMBIENT

FURNITURE/EQUIP.: OVERHEAD HOIST

C 2.3 CARIBBEAN HOLDING

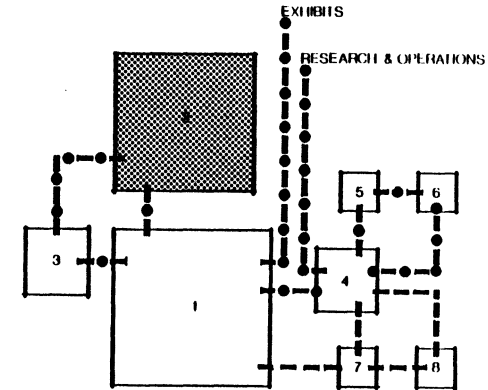
USER: OPERATIONAL AND CURATORIAL STAFF, CARIBBEAN ANIMALS
FUNCTION:

- TO PROVIDE AN AREA FOR STAFF CIRCULATION AND HOLDING TANK FOR SICK OR RESERVED CARIBBEAN ANIMALS.

SPECIAL CONSIDERATIONS:

- SEPERATE WATER RESERVOIR AND CIRCULATION.
- ADEQUATE CIRCULATION TO ALLOW FREE FLOW OF MOVABLE EQUIPMENT AND STAFF.
- HOLDING TANK DEPTH IS 4 FT.

BUBBLE DIAGRAM



- 1.1 GULF OF MEXICO BACK-UP
- 1.2 TEXAS BAYS AND ESTUARIES BACK -UP
- 1.3 CARIBBEAN BACK-UP
- 1.4 SEA TURTLE BACK-UP
- 1.5 DOLPHIN TANK BACK-UP
- 1.6 TRAY BACK -UP
- 1.7 TEXAS COASTAL RIVER OTTER BACK-UP
- 1.8 NUECES RIVER ECOLOGY BACK-UP
- 2.1 GULF OF MEXICO HOLDING
- 2.2 TEXAS BAYS AND ESTUARIES HOLDING
- 2.3 CARIBBEAN HOLDING
- 2.4 SEA TURTLE HOLDING
- 2.5 DOLPHIN HOLDING
- 2.6 NUECES RIVER ECOLOGY HOLDING
- 3 QUARANTINE
- 4 FOOD PREP.
- 5 FREEZER
- 6 COOL ROOM
- 7 AQUARIST OFFICE
- 8 AQUARIST LABORATORY

AREA: 543 SF

HEIGHT: VARIABLE

FINISHES IMAGE: CLEAN, PRIVATE **CEILING:** HARD- TILE

FLOOR: HARD- TILE **WALLS:** HARD- TILE

SYSTEMS HVAC: MULTI ZONE- LOW VEL **PLUMBING:** FLOOR DRAINS AND PLUMBING ACCESS

LIGHTING: SPECIAL AMBIENT

FURNITURE/EQUIP.: OVERHEAD HOIST

C 2.4
SEA
TURTLE
HOLDING

USER: OPERATIONAL AND CURITORIAL
STAFF, SEA TURTLES

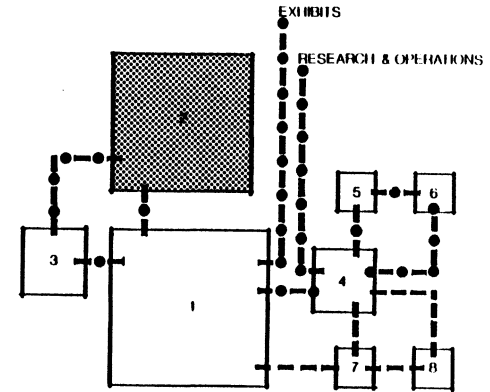
FUNCTION:

- TO PROVIDE AN AREA FOR STAFF CIRCULATION AND HOLDING TANK FOR SICK OR RESERVED SEA TURTLES.

SPECIAL CONSIDERATIONS:

- SEPERATE WATER RESERVOIR AND CIRCULATION.
- ADEQUATE CIRCULATION TO ALLOW FREE FLOW OF MOVABLE EQUIPMENT AND STAFF.
- HOLDING TANK DEPTH IS 2 FT.

BUBBLE DIAGRAM



- 1.1 GULF OF MEXICO BACK-UP
- 1.2 TEXAS BAYS AND ESTUARIES BACK-UP
- 1.3 CARIBBEAN BACK-UP
- 1.4 SEA TURTLE BACK-UP
- 1.5 DOLPHIN TANK BACK-UP
- 1.6 TRAY BACK-UP
- 1.7 TEXAS COASTAL RIVER OTTER BACK-UP
- 1.8 NUECES RIVER ECOLOGY BACK-UP
- 2.1 GULF OF MEXICO HOLDING
- 2.2 TEXAS BAYS AND ESTUARIES HOLDING
- 2.3 CARIBBEAN HOLDING
- 2.4 SEA TURTLE HOLDING
- 2.5 DOLPHIN HOLDING
- 2.6 NUECES RIVER ECOLOGY HOLDING
- 3 QUARANTINE
- 4 FOOD PREP.
- 5 FREEZER
- 6 COOL ROOM
- 7 AQUARIST OFFICE
- 8 AQUARIST LABORATORY

AREA: 325 SF

HEIGHT: 10-12 FT

FINISHES IMAGE: CLEAN, PRIVATE

CEILING: HARD- TILE

FLOOR: HARD- TILE

WALLS: HARD- TILE

SYSTEMS HVAC: MULTI ZONE- LOW VEL

PLUMBING: FLOOR DRAINS AND PLUMBING ACCESS

LIGHTING: SPECIAL AMBIENT

FURNITURE/EQUIP.: OVERHEAD HOIST

C2.5 DOLPHIN HOLDING

USER: OPERATIONAL AND CURITORIAL STAFF, DOLPHINS

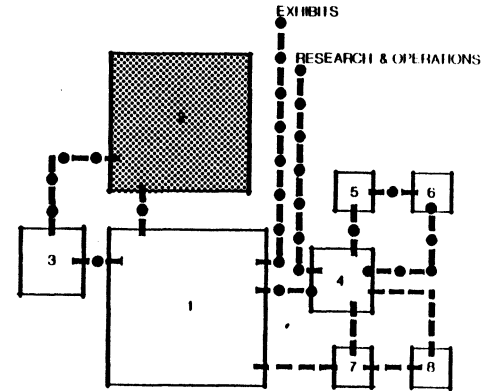
FUNCTION:

- TO PROVIDE AN AREA FOR STAFF CIRCULATION AND HOLDING TANK FOR SICK OR RESERVED DOLPHINS.

SPECIAL CONSIDERATIONS:

- SEPERATE WATER RESERVOIR AND CIRCULATION
- ADEQUATE CIRCULATION TO ALLOW FREE FLOW OF MOVABLE EQUIPMENT AND STAFF
- HOLDING TANK DEPTH IS 3 FT.

BUBBLE DIAGRAM



- 1.1 GULF OF MEXICO BACK-UP
- 1.2 TEXAS BAYS AND ESTUARIES BACK-UP
- 1.3 CARIBBEAN BACK-UP
- 1.4 SEA TURTLE BACK-UP
- 1.5 DOLPHIN TANK BACK-UP
- 1.6 TRAY BACK-UP
- 1.7 TEXAS COASTAL RIVER OTTER BACK-UP
- 1.8 NUECES RIVER ECOLOGY BACK-UP
- 2.1 GULF OF MEXICO HOLDING
- 2.2 TEXAS BAYS AND ESTUARIES HOLDING
- 2.3 CARIBBEAN HOLDING
- 2.4 SEA TURTLE HOLDING
- 2.5 DOLPHIN HOLDING
- 2.6 NUECES RIVER ECOLOGY HOLDING
- 3 QUARANTINE
- 4 FOOD PREP.
- 5 FREEZER
- 6 COOL ROOM
- 7 AQUARIST OFFICE
- 8 AQUARIST LABORATORY

AREA: 1,030 SF

HEIGHT: VARIABLE

FINISHES IMAGE: CLEAN, PRIVATE **CEILING:** HARD- TILE

FLOOR: HARD- TILE **WALLS:** HARD- TILE

SYSTEMS HVAC: MULTI ZONE- LOW VEL **PLUMBING:** FLOOR DRAINS AND PLUMBING ACCESS

LIGHTING: SPECIAL AMBIENT

FURNITURE /EQUIP.: OVERHEAD HOIST

**C2.6
NUECES
RIVER
ECOLOGY
HOLDING**

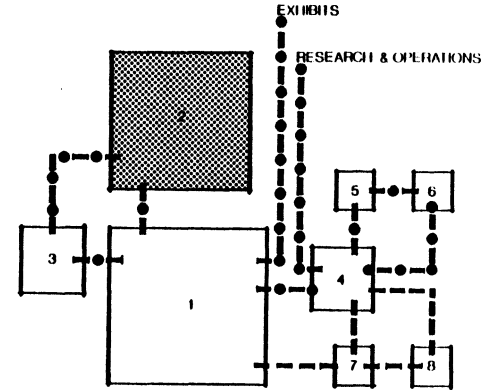
USER: OPERATIONAL AND CURATORIAL STAFF, NUECES RIVER ANIMALS
FUNCTION:

- TO PROVIDE AN AREA FOR STAFF CIRCULATION AND HOLDING TANK FOR SICK OR RESERVED NUECES RIVER ANIMALS.

SPECIAL CONSIDERATIONS:

- SEPERATE WATER RESERVOIR AND CIRCULATION.
- ADEQUATE CIRCULATION TO ALLOW FREE FLOW OF MOVABLE EQUIPMENT AND STAFF
- HOLDING TANK DEPTH IS 2 FT.

BUBBLE DIAGRAM



- 1.1 GULF OF MEXICO BACK-UP
- 1.2 TEXAS BAYS AND ESTUARIES BACK-UP
- 1.3 CARIBBEAN BACK-UP
- 1.4 SEA TURTLE BACK-UP
- 1.5 DOLPHIN TANK BACK-UP
- 1.6 TRAY BACK-UP
- 1.7 TEXAS COASTAL RIVER OTTER BACK-UP
- 1.8 NUECES RIVER ECOLOGY BACK-UP
- 2.1 GULF OF MEXICO HOLDING
- 2.2 TEXAS BAYS AND ESTUARIES HOLDING
- 2.3 CARIBBEAN HOLDING
- 2.4 SEA TURTLE HOLDING
- 2.5 DOLPHIN HOLDING
- 2.6 NUECES RIVER ECOLOGY HOLDING
- 3 QUARANTINE
- 4 FOOD PREP.
- 5 FREEZER
- 6 COOL ROOM
- 7 AQUARIST OFFICE
- 8 AQUARIST LABORATORY

AREA: 300 SF

HEIGHT: 10-12 FT

FINISHES IMAGE: CLEAN, PRIVATE **CEILING:** HARD- TILE

FLOOR: HARD- TILE **WALLS:** HARD- TILE

SYSTEMS HVAC: MULTI ZONE- LOW VEL **PLUMBING:** FLOOR DRAINS AND PLUMBING ACCESS

LIGHTING: SPECIAL AMBIENT

FURNITURE /EQUIP.: OVERHEAD HOIST

C3 QUARANTINE

USER: OPERATIONAL, CURATORIAL AND RESEARCH STAFF

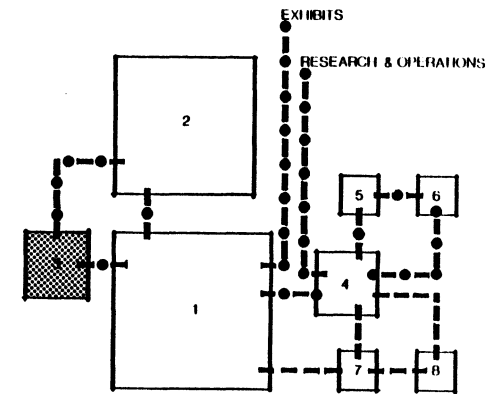
FUNCTION:

- TO PROVIDE AN AREA FOR STAFF CIRCULATION AND A ISOLATION TANK FOR SICK AND NEW ANIMALS, FOR OBSERVATION PURPOSES ONLY.

SPECIAL CONSIDERATIONS:

- FLEXIBLE TEMPERATURE AND SALINITY CONTROL FOR VARIOUS FISH.
- SEPERATE WATER RESERVOIR, CIRCULATION AND FILTERS.
- ISOLATION TANK DEPTH IS 4 FT.

BUBBLE DIAGRAM



- 1.1 GULF OF MEXICO BACK-UP
- 1.2 TEXAS BAYS AND ESTUARIES BACK-UP
- 1.3 CARIBBEAN BACK-UP
- 1.4 SEA TURTLE BACK-UP
- 1.5 DOLPHIN TANK BACK-UP
- 1.6 TRAY BACK-UP
- 1.7 TEXAS COASTAL RIVER OTTER BACK-UP
- 1.8 NUECES RIVER ECOLOGY BACK-UP
- 2.1 GULF OF MEXICO HOLDING
- 2.2 TEXAS BAYS AND ESTUARIES HOLDING
- 2.3 CARIBBEAN HOLDING
- 2.4 SEA TURTLE HOLDING
- 2.5 DOLPHIN HOLDING
- 2.6 NUECES RIVER ECOLOGY HOLDING
- 3 QUARANTINE
- 4 FOOD PREP.
- 5 FREEZER
- 6 COOL ROOM
- 7 AQUARIST OFFICE
- 8 AQUARIST LABORATORY

AREA: 700 SF

HEIGHT: VARIABLE

FINISHES **IMAGE:** VERY PRIVATE **CEILING:** HARD- TILE

FLOOR: HARD- TILE **WALLS:** HARD- TILE

SYSTEMS **HVAC:** MULTI ZONE- LOW VEL **PLUMBING:** FLOOR DRAINS AND PLUMBING ACCESS

LIGHTING: SPECIAL AMBIENT WITH DIMMERS

FURNITURE /EQUIP.: OVERHEAD HOIST, REMOVABLE TANK DIVIDERS, SEPERATE WATER SYSTEM

C4 FOOD PREPARATION

USER: OPERATIONAL AND CURATORIAL STAFF

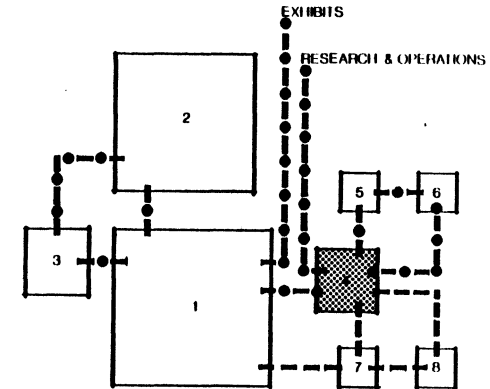
FUNCTION:

- PROVIDE AN AREA TO PREPARE AND PROCESS THE MANY DIFFERENT DIETS OF THE AQUARIUM FISH.

SPECIAL CONSIDERATIONS:

- MATERIALS SHOULD BE EASY TO CLEAN, MAINTAIN AND ARE DURABLE.

BUBBLE DIAGRAM



- 1.1 GULF OF MEXICO BACK-UP
- 1.2 TEXAS BAYS AND ESTUARIES BACK-UP
- 1.3 CARIBBEAN BACK-UP
- 1.4 SEA TURTLE BACK-UP
- 1.5 DOLPHIN TANK BACK-UP
- 1.6 TRAY BACK-UP
- 1.7 TEXAS COASTAL RIVER OTTER BACK-UP
- 1.8 NUECES RIVER ECOLOGY BACK-UP
- 2.1 GULF OF MEXICO HOLDING
- 2.2 TEXAS BAYS AND ESTUARIES HOLDING
- 2.3 CARIBBEAN HOLDING
- 2.4 SEA TURTLE HOLDING
- 2.5 DOLPHIN HOLDING
- 2.6 NUECES RIVER ECOLOGY HOLDING
- 3 QUARANTINE
- 4 FOOD PREP.
- 5 FREEZER
- 6 COOL ROOM
- 7 AQUARIST OFFICE
- 8 AQUARIST LABORATORY

AREA: 600 SF

HEIGHT: 8-10 FT

FINISHES IMAGE: CLEAN, PRIVATE **CEILING:** HARD-TILE

FLOOR: HARD-TILE **WALLS:** HARD-TILE

SYSTEMS HVAC: MULTI ZONE- LOW VEL SEPERATE RETURN **PLUMBING:** FLOOR DRAINS

LIGHTING: AMBIENT

FURNITURE/EQUIP.: FOOD PREPARATION EQUIPMENT, WORK TABLES, FOOD TRAYS AND CARTS

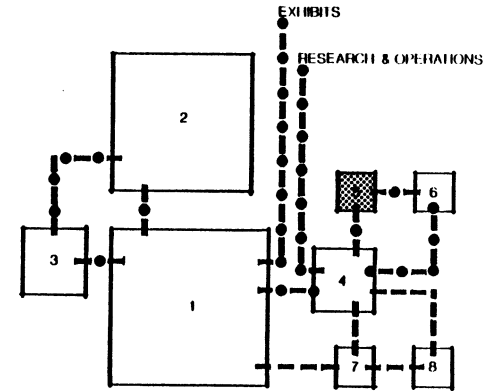
C5
FREEZER

USER: OPERATIONAL AND CURATORIAL STAFF

FUNCTION:
 • PROVIDE AN AREA TO KEEP FOOD FROZEN AND FRESH, FOR LATER PROCESSING.

SPECIAL CONSIDERATIONS:
 • INTERIOR AND EXTERIOR DOOR HANDLES AND LOCKS
 • FLEXIBLE SHELVING

BUBBLE DIAGRAM



- 1.1 GULF OF MEXICO BACK-UP
- 1.2 TEXAS BAYS AND ESTUARIES BACK-UP
- 1.3 CARIBBEAN BACK-UP
- 1.4 SEA TURTLE BACK-UP
- 1.5 DOLPHIN TANK BACK-UP
- 1.6 TRAY BACK-UP
- 1.7 TEXAS COASTAL RIVER OTTER BACK-UP
- 1.8 NUECES RIVER ECOLOGY BACK-UP
- 2.1 GULF OF MEXICO HOLDING
- 2.2 TEXAS BAYS AND ESTUARIES HOLDING
- 2.3 CARIBBEAN HOLDING
- 2.4 SEA TURTLE HOLDING
- 2.5 DOLPHIN HOLDING
- 2.6 NUECES RIVER ECOLOGY HOLDING
- 3 QUARANTINE
- 4 FOOD PREP.
- 5 FREEZER
- 6 COOL ROOM
- 7 AQUARIST OFFICE
- 8 AQUARIST LABORATORY

AREA: 380 SF

HEIGHT: 10-12 FT

FINISHES IMAGE: COLD

CEILING: FREEZER TYPE

FLOOR: HARD- CONC. OR TILE **WALLS:** FREEZER TYPE

SYSTEMS HVAC: SPECIAL COOLING

PLUMBING: FLOOR DRAINS

LIGHTING: SPECIAL AMBIENT

FURNITURE /EQUIP.: MOVABLE FOOD CARTS, MONITORING EQUIPMENT, REFRIGERATION MECHANICAL EQUIPMENT

C6
COOL
ROOM

USER: OPERATIONAL AND CURITORIAL
STAFF

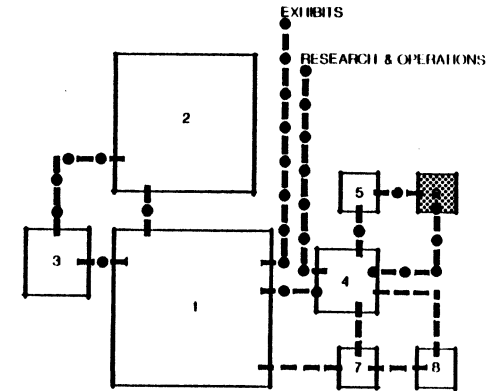
FUNCTION:

- TO PROVIDE AN AREA FOR FOOD TO THAW, BEFORE PROCESSING AND TO STORE FOOD THAT DOES NOT NEED FREEZING.

SPECIAL CONSIDERATIONS:

- FLEXIBLE SHELVING

BUBBLE DIAGRAM



- 1.1 GULF OF MEXICO BACK-UP
- 1.2 TEXAS BAYS AND ESTUARIES BACK-UP
- 1.3 CARIBBEAN BACK-UP
- 1.4 SEA TURTLE BACK-UP
- 1.5 DOLPHIN TANK BACK-UP
- 1.6 TRAY BACK-UP
- 1.7 TEXAS COASTAL RIVER OTTER BACK-UP
- 1.8 NUECES RIVER ECOLOGY BACK-UP
- 2.1 GULF OF MEXICO HOLDING
- 2.2 TEXAS BAYS AND ESTUARIES HOLDING
- 2.3 CARIBBEAN HOLDING
- 2.4 SEA TURTLE HOLDING
- 2.5 DOLPHIN HOLDING
- 2.6 NUECES RIVER ECOLOGY HOLDING
- 3 QUARANTINE
- 4 FOOD PREP.
- 5 FREEZER
- 6 COOL ROOM
- 7 AQUARIST OFFICE
- 8 AQUARIST LABORATORY

AREA: 150 SF

HEIGHT: 10-12 FT

FINISHES IMAGE: CLEAN, COOL

CEILING: HARD- GYP. BD.

FLOOR: HARD- TILE

WALLS: HARD- TILE

SYSTEMS HVAC: SPECIAL COOLING

PLUMBING: FLOOR DRAINS

LIGHTING: AMBIENT

FURNITURE/EQUIP.: MOVABLE FOOD CARTS, MONITORING EQUIPMENT,
REFRIGERATION MECHANICAL EQUIPMENT

**C7
AQUARIST
OFFICE**

USER: CURITORIAL STAFF , AQUARIST

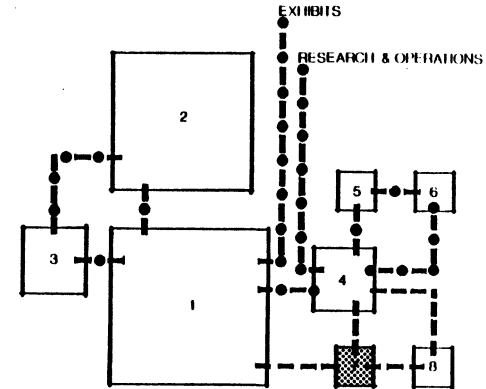
FUNCTION:

- DIETRITIAN EXPERT FOR THE AQUARIUM'S AQUATIC ANIMALS.
- INCHARGE OF FEEDING AND CARING FOR EACH ANIMALS UNIQUE DIET.

SPECIAL CONSIDERATIONS:

- SPACE FOR PERSONAL COMPUTER
- SPACE FOR SMALL PERSONAL LIBRARY.

BUBBLE DIAGRAM



- 1.1 GULF OF MEXICO BACK-UP
- 1.2 TEXAS BAYS AND ESTUARIES BACK-UP
- 1.3 CARIBBEAN BACK-UP
- 1.4 SEA TURTLE BACK-UP
- 1.5 DOLPHIN TANK BACK-UP
- 1.6 TRAY BACK-UP
- 1.7 TEXAS COASTAL RIVER OTTER BACK-UP
- 1.8 NUECES RIVER ECOLOGY BACK-UP
- 2.1 GULF OF MEXICO HOLDING
- 2.2 TEXAS BAYS AND ESTUARIES HOLDING
- 2.3 CARIBBEAN HOLDING
- 2.4 SEA TURTLE HOLDING
- 2.5 DOLPHIN HOLDING
- 2.6 NUECES RIVER ECOLOGY HOLDING
- 3 QUARANTINE
- 4 FOOD PREP.
- 5 FREEZER
- 6 COOL ROOM
- 7 AQUARIST OFFICE
- 8 AQUARIST LABORATORY

AREA: 200 SF

HEIGHT: 8-10 FT

FINISHES IMAGE: PRIVATE, AUTHORITY

CEILING: ACOUSTIC TILE

FLOOR: SOFT- CARPET

WALLS: HARD- PAINT

SYSTEMS HVAC: MULTI ZONE- LOW VEL **PLUMBING:** NONE

LIGHTING: AMBIENT, TASK

FURNITURE /EQUIP.: OFFICE FURNITURE FOR ONE

**C 8
AQUARIST
LAB**

USER: AQUARIST, BIO TECH AND CURITORIAL STAFF

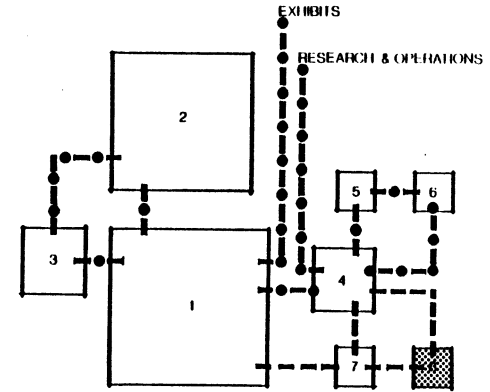
FUNCTION:

- PROVIDE AN AREA FOR THE STUDY AND EXPERIMENTATION OF DIFFERENT DIETS ON AQUATIC ANIMALS.
- AN AREA FOR THE STUDY AND MONITORING OF GENERAL HEALTH CONDITIONS OF FISH.

SPECIAL CONSIDERATIONS:

- FLEXIBLE LABORATORY ARRANGEMENT FOR USE BY THE AQUARIST ANDS BIO TECH.
- CLOSE RELATIONSHIP TO THE QUARANTINE TANK.

BUBBLE DIAGRAM



- 1.1 GULF OF MEXICO BACK-UP
- 1.2 TEXAS BAYS AND ESTUARIES BACK-UP
- 1.3 CARIBBEAN BACK-UP
- 1.4 SEA TURTLE BACK-UP
- 1.5 DOLPHIN TANK BACK-UP
- 1.6 TRAY BACK-UP
- 1.7 TEXAS COASTAL RIVER OTTER BACK-UP
- 1.8 NUECES RIVER ECOLOGY BACK-UP
- 2.1 GULF OF MEXICO HOLDING
- 2.2 TEXAS BAYS AND ESTUARIES HOLDING
- 2.3 CARIBBEAN HOLDING
- 2.4 SEA TURTLE HOLDING
- 2.5 DOLPHIN HOLDING
- 2.6 NUECES RIVER ECOLOGY HOLDING
- 3 QUARANTINE
- 4 FOOD PREP.
- 5 FREEZER
- 6 COOL ROOM
- 7 AQUARIST OFFICE
- 8 AQUARIST LABORATORY

AREA: 200 SF

HEIGHT: 8-10 FT

FINISHES IMAGE: ORGANIZED, CLEAN **CEILING:** HARD- GYP. BD.

FLOOR: HARD- TILE **WALLS:** HARD- TILE

SYSTEMS HVAC: MULTI ZONE- LOW VEL **PLUMBING:** FLOOR DRAINS

LIGHTING: AMBIENT, DAYLIGHT/INDIRECT

FURNITURE/EQUIP.: LAB TABLES, SINKS, SMALL REFRIGERATOR

ADMINISTRATION

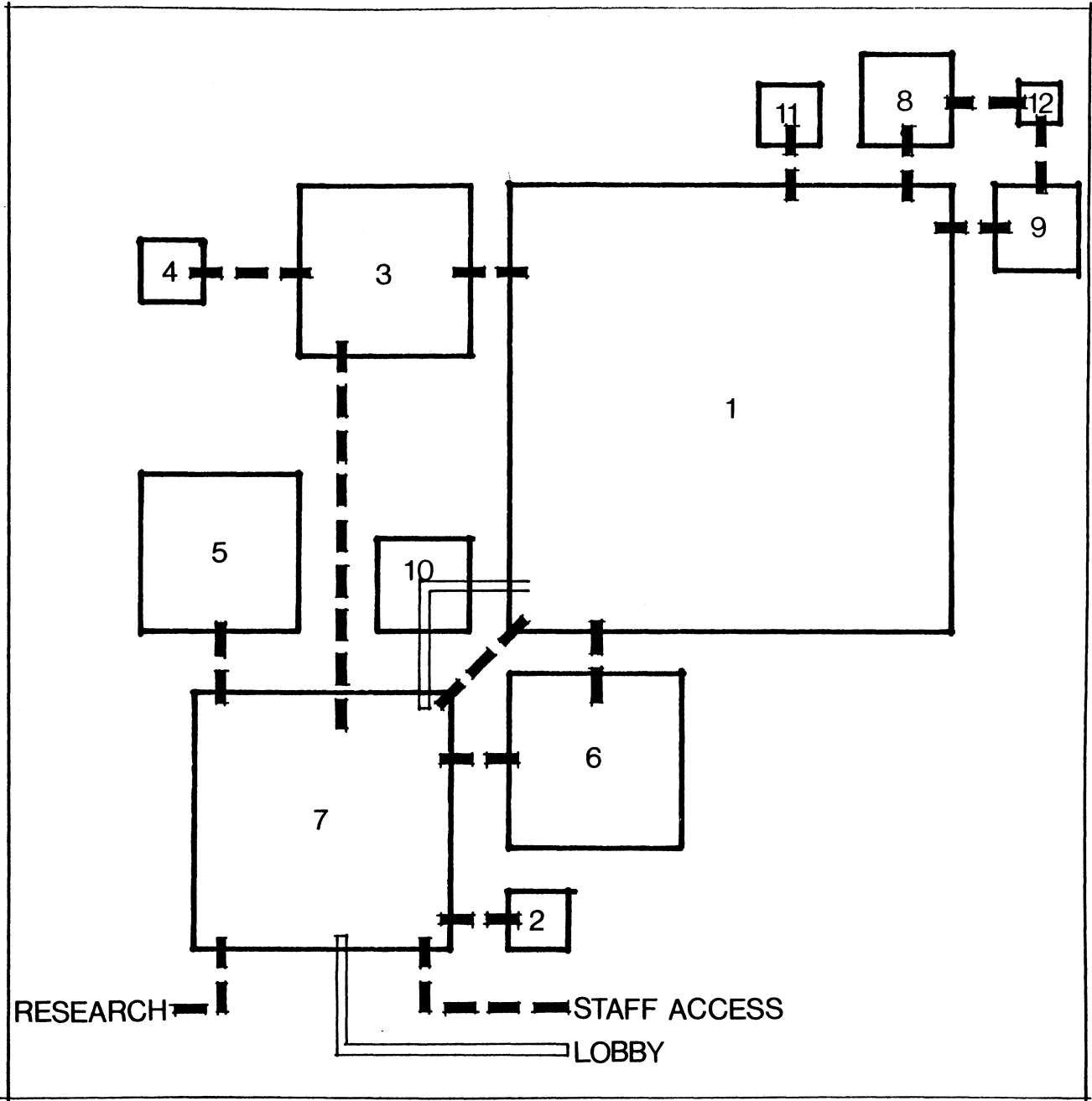
D
ADMINISTRATION

D 1.1	DIRECTOR'S OFFICE	300
D 1.2	DIRECTOR OF FINANCE OFFICE	200
D 1.3	ASSISTANT DIRECTOR'S OFFICE	200
D 1.4	PUBLIC RELATIONS OFFICE	200
D 1.5	EXHIBIT CURATORS OFFICE	200
D 1.6	EDUCATION CURATORS OFFICE	150
D 1.7	DOCENT OFFICE	150
D 1.8	BIO TECH OFFICE	150
D 2	CONFERENCE ROOM	200
D 3	GRAPHIC ARTS ROOM	550
D 4	PHOTOGRAPHY LAB	200
D 5	VIP MEETING ROOM	575
D 6	LIBRARY	600
D 7	SECRETARIAL/RECEPTIONIST	900
D 8	BREAK/LUNCH ROOM	150
D 9	TOILETS	300
D 10	WAIT/LOBBY	300
D 11	STORAGE	100
D 12	JANITORIAL ROOM	60
		5485

FUNCTIONAL
RELATIONSHIP
DIAGRAM

LEGEND

PUBLIC	
STAFF	
SERVICE	
STAFF/SERVICE	
BUSINESS	



THE TEXAS STATE AQUARIUM * CORPUS CHRISTI, TX.

**D1.1
DIRECTOR'S
OFFICE**

USER: DIRECTOR, SECRETARY AND BUSINESS PUBLIC

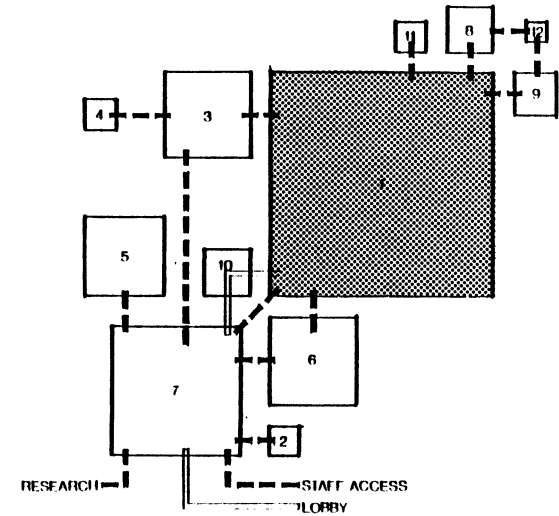
FUNCTION:

- HEAD OF BUSINESS AFFAIRS AND OVERALL COORDINATION OF THE DIRECTION IN WHICH THE AQUARIUM IS HEADING, IN KEEPING WITH THE BOARD OF DIRECTORS.

SPECIAL CONSIDERATIONS:

- SHOULD HAVE A PRIVATE AND EXECUTIVE CHARACTER.

BUBBLE DIAGRAM



- 11 DIRECTOR'S OFFICE
- 12 DIRECTOR OF FINANCE OFFICE
- 13 ASSISTANT DIRECTOR'S OFFICE
- 14 PUBLIC RELATIONS OFFICE
- 15 EXHIBIT CURATOR OFFICE
- 16 EDUCATIONAL CURATOR OFFICE
- 17 DOCENT OFFICE
- 18 BIO TECH OFFICE
- 2 CONFERENCE ROOM
- 3 GRAPHIC ARTS ROOM
- 4 PHOTOGRAPHY LAB
- 5 VIP MEETING ROOM
- 6 LIBRARY
- 7 SECRETARIAL / RECEPTION
- 8 BREAK / LUNCH
- 9 TOILETS
- 10 WAIT / LOBBY
- 11 STORAGE
- 12 JANITORIAL ROOM

AREA: 300 SF

HEIGHT: 8-10 FT

FINISHES IMAGE: EXECUTIVE

CEILING: ACOUSTIC TILE OR PLASTER

FLOOR: SOFT- CARPET

WALLS: VARIABLE

SYSTEMS HVAC: MULTI ZONE- LOW VEL **PLUMBING:** NONE

LIGHTING: DAYLIGHT, AMBIENT, TASK

FURNITURE/EQUIP.: DESK, FILES, SEATING FOR 2 GUESTS, SHELVES

D1.2
 DIRECTOR
 OF
 FINANCE
 OFFICE

USER: ADMINISTRATIVE STAFF,
 BUSINESS PUBLIC

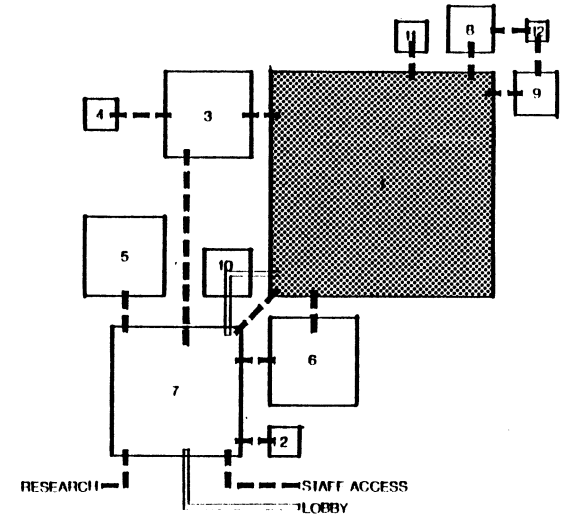
FUNCTION:

- HEAD OF ALL MONIES, DEALING WITH ACCOUNTING, PAYROLLS, INVESTMENTS, AND RESEARCH GRANTS FOR THE ENTIRE AQUARIUM.

SPECIAL CONSIDERATIONS:

- SHOULD HAVE SPACE FOR A PERSONAL COMPUTER AND ACCOUNTING MACHINES.
- SHOULD HAVE A PRIVATE CHARACTER

BUBBLE DIAGRAM



- 11 DIRECTOR'S OFFICE
- 12 DIRECTOR OF FINANCE OFFICE
- 13 ASSISTANT DIRECTOR'S OFFICE
- 14 PUBLIC RELATIONS OFFICE
- 15 EXHIBIT CURATOR OFFICE
- 16 EDUCATIONAL CURATOR OFFICE
- 17 DOCENT OFFICE
- 18 BIO TECH OFFICE
- 2 CONFERENCE ROOM
- 3 GRAPHIC ARTS ROOM
- 4 PHOTOGRAPHY LAB
- 5 VIP MEETING ROOM
- 6 LIBRARY
- 7 SECRETARIAL / RECEPTION
- 8 BREAK / LUNCH
- 9 TOILETS
- 10 WAIT / LOBBY
- 11 STORAGE
- 12 JANITORIAL ROOM

AREA: 200 SF

HEIGHT: 8-10 FT

FINISHES IMAGE: EXECUTIVE **CEILING:** ACOUSTIC TILE

FLOOR: SOFT- CARPET **WALLS:** HARD- PAINT

SYSTEMS HVAC: MULTI ZONE- LOW VEL **PLUMBING:** NONE

LIGHTING: DAYLIGHT, AMBIENT, TASK

FURNITURE / EQUIP.: OFFICE FURNITURE FOR ONE, SEATING FOR TWO GUESTS, VAULT, LARGE FILES

**D1.3
ASSISTANT
DIRECTOR'S
OFFICE**

USER: ADMINISTRATIVE STAFF

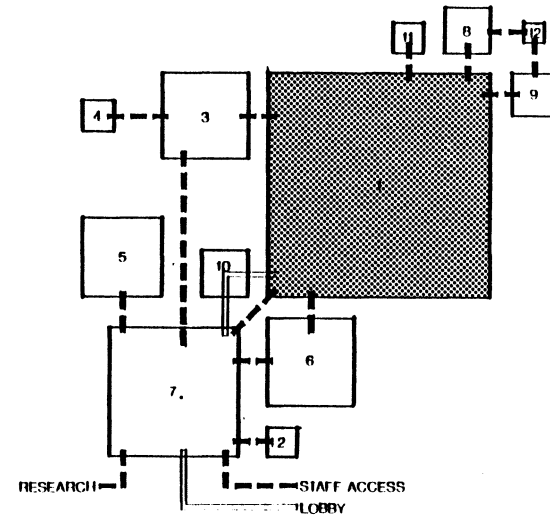
FUNCTION:

- HEAD OF COORDINATING AND ADMINISTRATING ALL DEPARTMENTS, INCLUDING THE RESTAURANT, BOOK/GIFT SHOP, AND THE RESEARCH DEPARTMENTS.

SPECIAL CONSIDERATIONS:

- SHOULD HAVE AN EXECUTIVE AND PRIVATE CHARACTER.
- SHOULD HAVE SPACE FOR A PERSONAL COMPUTER.

BUBBLE DIAGRAM



- 11 DIRECTOR'S OFFICE
- 12 DIRECTOR OF FINANCE OFFICE
- 13 ASSISTANT DIRECTOR'S OFFICE
- 14 PUBLIC RELATIONS OFFICE
- 15 EXHIBIT CURATOR OFFICE
- 16 EDUCATIONAL CURATOR OFFICE
- 17 DOCENT OFFICE
- 18 BIO TECH OFFICE
- 2 CONFERENCE ROOM
- 3 GRAPHIC ARTS ROOM
- 4 PHOTOGRAPHY LAB
- 5 VIP MEETING ROOM
- 6 LIBRARY
- 7 SECRETARIAL / RECEPTION
- 8 BREAK / LUNCH
- 9 TOILETS
- 10 WAIT / LOBBY
- 11 STORAGE
- 12 JANITORIAL ROOM

AREA: 200 SF

HEIGHT: 8-10 FT

FINISHES IMAGE: EXECUTIVE **CEILING:** ACOUSTIC TILE

FLOOR: SOFT- CARPET **WALLS:** HARD- PAINT

SYSTEMS HVAC: MULTI ZONE- LOW VEL **PLUMBING:** NONE

LIGHTING: DAYLIGHT, AMBIENT, TASK

FURNITURE / EQUIP.: OFFICE FURNITURE FOR ONE

D1.4 PUBLIC RELATIONS OFFICE

USER: ADMINISTRATIVE STAFF, VIPS,
VISITORS (NOT GEN. PUBLIC)

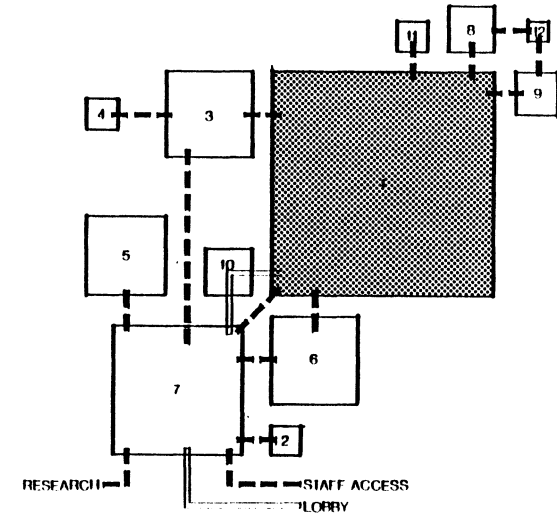
FUNCTION:

- HEAD OF ANNOUNCEMENTS, PUBLICATIONS OR ANYTHING DEALING WITH PUBLIC FUNCTIONS IN ACCORDANCE WITH THE AQUARIUM.

SPECIAL CONSIDERATIONS:

- WORKS WITH GRAPHIC ARTS DEPARTMENT CLOSELY.
- REPRESENTS BOOK/GIFT SHOP, RESTAURANT, RESEARCH, EDUCATION AND ADMINISTRATIVE DEPARTMENTS.

BUBBLE DIAGRAM



- 11 DIRECTOR'S OFFICE
- 12 DIRECTOR OF FINANCE OFFICE
- 13 ASSISTANT DIRECTOR'S OFFICE
- 14 PUBLIC RELATIONS OFFICE
- 15 EXHIBIT CURATOR OFFICE
- 16 EDUCATIONAL CURATOR OFFICE
- 17 DOCENT OFFICE
- 18 BIO TECH OFFICE
- 2 CONFERENCE ROOM
- 3 GRAPHIC ARTS ROOM
- 4 PHOTOGRAPHY LAB
- 5 VIP MEETING ROOM
- 6 LIBRARY
- 7 SECRETARIAL / RECEPTION
- 8 BREAK / LUNCH
- 9 TOILETS
- 10 WAIT/LOBBY
- 11 STORAGE
- 12 JANITORIAL ROOM

AREA: 200 SF

HEIGHT: 8-10 FT

FINISHES IMAGE: OPEN, QUIET, SEMI-FORMAL

CEILING: ACOUSTIC TILE

FLOOR: SOFT- CARPET

WALLS: HARD- PAINT

SYSTEMS HVAC: MULTI ZONE- LOW VEL

PLUMBING: NONE

LIGHTING: DAYLIGHT, AMBIENT, TASK

FURNITURE/EQUIP.: OFFICE FURNITURE FOR ONE, SEATING FOR 2 GUESTS, WORK TABLES

D 1.5 EXHIBIT CURATOR OFFICE

USER: CURATORIAL AND ADMINISTRATIVE STAFF

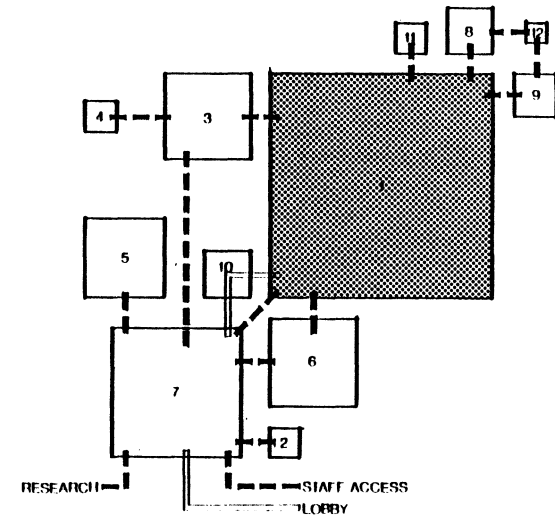
FUNCTION:

- HEAD OF OPERATIONS, MAINTENANCE, CARE AND UPDATING OF EXHIBITS.

SPECIAL CONSIDERATIONS:

- SHOULD HAVE A PRIVATE CHARACTER.

BUBBLE DIAGRAM



- 11 DIRECTOR'S OFFICE
- 12 DIRECTOR OF FINANCE OFFICE
- 13 ASSISTANT DIRECTOR'S OFFICE
- 14 PUBLIC RELATIONS OFFICE
- 15 EXHIBIT CURATOR OFFICE
- 16 EDUCATIONAL CURATOR OFFICE
- 17 DOCENT OFFICE
- 18 BIO TECH OFFICE
- 2 CONFERENCE ROOM
- 3 GRAPHIC ARTS ROOM
- 4 PHOTOGRAPHY LAB
- 5 VIP MEETING ROOM
- 6 LIBRARY
- 7 SECRETARIAL / RECEPTION
- 8 BREAK / LUNCH
- 9 TOILETS
- 10 WAIT / LOBBY
- 11 STORAGE
- 12 JANITORIAL ROOM

AREA: 200 SF

HEIGHT: 8-10 FT

FINISHES IMAGE: RELAXING, INFORMAL **CEILING:** ACOUSTIC TILE

FLOOR: SOFT- CARPET **WALLS:** HARD- PAINT

SYSTEMS HVAC: MULTI ZONE- LOW VEL **PLUMBING:** NONE

LIGHTING: DAYLIGHT, AMBIENT, TASK

FURNITURE/EQUIP.: OFFICE FURNITURE FOR ONE

**D1.6
EDUCATIONAL
CURATOR
OFFICE**

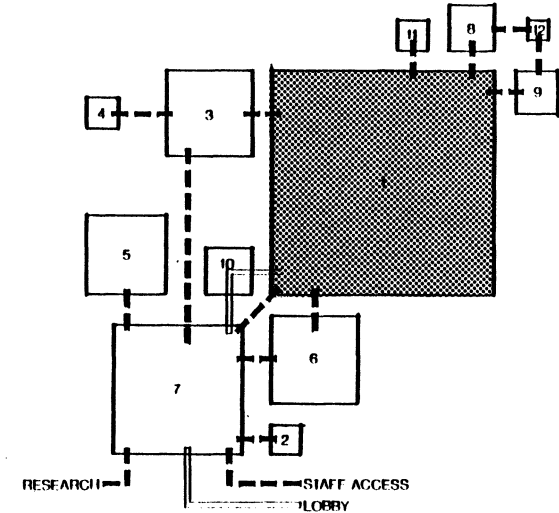
USER: CURITORIAL AND ADMINISTRATIVE STAFF, VISIT. LECTURERS
FUNCTION:

- HEAD OF ORGANIZATION AND PRESENTATION OF ALL EDUCATIONAL COURSES, TOURS, LECTURES, AND FIELD TRIPS FOR THE AQUARIUM VISITORS, GEN. PUBLIC, UNIVERSITIES AND HIGH SCHOOLS

SPECIAL CONSIDERATIONS:

- WORKS CLOSELY WITH VISITING LECTURERS AND GRAPHIC ARTS DEPARTMENT.

BUBBLE DIAGRAM



- 11 DIRECTOR'S OFFICE
- 12 DIRECTOR OF FINANCE OFFICE
- 13 ASSISTANT DIRECTOR'S OFFICE
- 14 PUBLIC RELATIONS OFFICE
- 15 EXHIBIT CURATOR OFFICE
- 16 EDUCATIONAL CURATOR OFFICE
- 17 DOCENT OFFICE
- 18 BIO TECH OFFICE
- 2 CONFERENCE ROOM
- 3 GRAPHIC ARTS ROOM
- 4 PHOTOGRAPHY LAB
- 5 VIP MEETING ROOM
- 6 LIBRARY
- 7 SECRETARIAL / RECEPTION
- 8 BREAK / LUNCH
- 9 TOILETS
- 10 WAIT/LOBBY
- 11 STORAGE
- 12 JANITORIAL ROOM

AREA: 150 SF

HEIGHT: 8-10 FT

FINISHES IMAGE: EDUCATIONAL, RELAXING

CEILING: ACOUSTIC TILE

FLOOR: SOFT- CARPET

WALLS: HARD- PAINT

SYSTEMS HVAC: MULTI ZONE- LOW VEL **PLUMBING:** NONE

LIGHTING: DAYLIGHT, AMBIENT, TASK

FURNITURE/EQUIP.: EXTRA FILES, OFFICE FURNITURE FOR ONE

D 1.7 DOCENT OFFICE

USER: CURITORIAL AND ADMINISTRA-
TIVE STAFF, VIPS

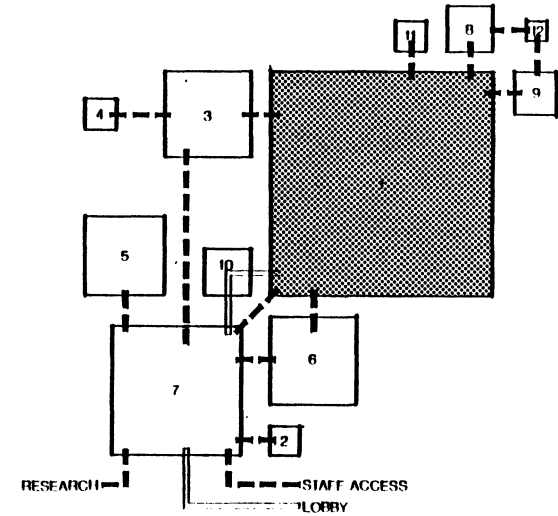
FUNCTION:

- OFFICE SPACE FOR VISITING LECTURERS WHO LECTURE TO THE PUBLIC, AQUARIUM STAFF, AND AQUARIUM MEMBERS.

SPECIAL CONSIDERATIONS:

- OPEN AND FRIENDLY CHARACTER

BUBBLE DIAGRAM



- 11 DIRECTOR'S OFFICE
- 12 DIRECTOR OF FINANCE OFFICE
- 13 ASSISTANT DIRECTOR'S OFFICE
- 14 PUBLIC RELATIONS OFFICE
- 15 EXHIBIT CURATOR OFFICE
- 16 EDUCATIONAL CURATOR OFFICE
- 17 DOCENT OFFICE
- 18 BIO TECH OFFICE
- 2 CONFERENCE ROOM
- 3 GRAPHIC ARTS ROOM
- 4 PHOTOGRAPHY LAB
- 5 VIP MEETING ROOM
- 6 LIBRARY
- 7 SECRETARIAL / RECEPTION
- 8 BREAK / LUNCH
- 9 TOILETS
- 10 WAIT/LOBBY
- 11 STORAGE
- 12 JANITORIAL ROOM

AREA: 150 SF

HEIGHT: 8-10 FT

FINISHES IMAGE: EDUCATIONAL **CEILING:** ACOUSTIC TILE

FLOOR: SOFT- CARPET **WALLS:** HARD- PAINT

SYSTEMS HVAC: MULTI ZONE- LOW VEL **PLUMBING:** NONE

LIGHTING: DAYLIGHT, AMBIENT, TASK

FURNITURE/EQUIP.: OFFICE FURNITURE FOR ONE

**D1.8
BIO TECH
OFFICE**

USER: CURATORIAL AND ADMINISTRATIVE STAFF

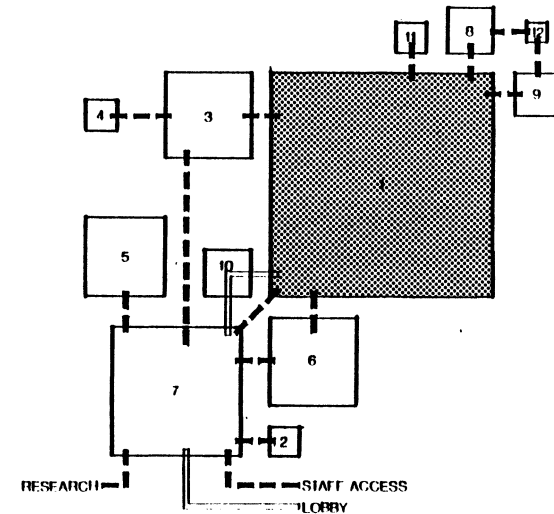
FUNCTION:

- HEAD OF BIOLOGICAL FUNCTIONS/PROBLEMS OF AQUARIUM FISH; DEALING WITH WATER QUALITY, CONTENT, AND HEALTH AND CARE OF FISH.
- WORKS CLOSELY WITH RESEARCH DEPARTMENT.

SPECIAL CONSIDERATIONS:

- SHOULD HAVE A PRIVATE CHARACTER.

BUBBLE DIAGRAM



- 11 DIRECTOR'S OFFICE
- 12 DIRECTOR OF FINANCE OFFICE
- 13 ASSISTANT DIRECTOR'S OFFICE
- 14 PUBLIC RELATIONS OFFICE
- 15 EXHIBIT CURATOR OFFICE
- 16 EDUCATIONAL CURATOR OFFICE
- 17 DOCENT OFFICE
- 18 BIO TECH OFFICE
- 2 CONFERENCE ROOM
- 3 GRAPHIC ARTS ROOM
- 4 PHOTOGRAPHY LAB
- 5 VIP MEETING ROOM
- 6 LIBRARY
- 7 SECRETARIAL / RECEPTION
- 8 BREAK / LUNCH
- 9 TOILETS
- 10 WAIT / LOBBY
- 11 STORAGE
- 12 JANITORIAL ROOM

AREA: 150 SF

HEIGHT: 8-10 FT

FINISHES IMAGE: EXECUTIVE, RELAXED **CEILING:** ACOUSTIC TILE

FLOOR: SOFT- CARPET **WALLS:** HARD- PAINT

SYSTEMS HVAC: MULTI ZONE- LOW VEL **PLUMBING:** NONE

LIGHTING: DAYLIGHTING, AMBIENT, TASK

FURNITURE / EQUIP.: OFFICE FURNITURE FOR ONE, SEATING FOR ONE GUEST

D2 CONFERENCE ROOM

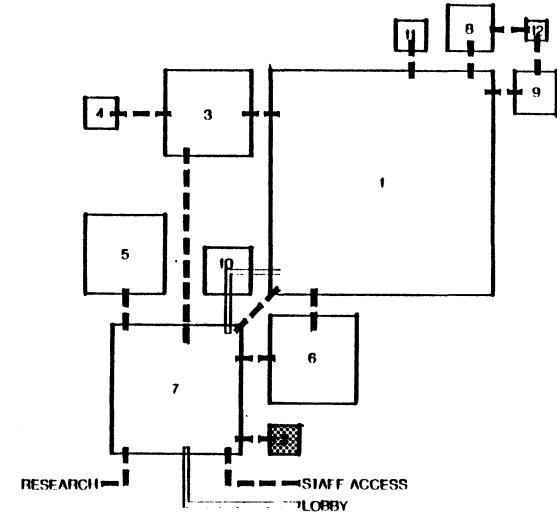
USER: CURITORIAL, OPERATIONAL AND ADMINISTRATIVE STAFF
FUNCTION:

- TO PROVIDE AN AREA FOR SMALL GROUP MEETINGS/ PRESENTATIONS PERTAINING TO BUSINESS AFFAIRS.
- SEATING FOR 6 PEOPLE

SPECIAL CONSIDERATIONS:

- THIS SPACE DOES NOT NEED TO BE AN ENCLOSED SPACE, WITH DOORS.

BUBBLE DIAGRAM



- 11 DIRECTOR'S OFFICE
- 12 DIRECTOR OF FINANCE OFFICE
- 13 ASSISTANT DIRECTOR'S OFFICE
- 14 PUBLIC RELATIONS OFFICE
- 15 EXHIBIT CURATOR OFFICE
- 16 EDUCATIONAL CURATOR OFFICE
- 17 DOCENT OFFICE
- 18 BIO TECH OFFICE
- 2 CONFERENCE ROOM
- 3 GRAPHIC ARTS ROOM
- 4 PHOTOGRAPHY LAB
- 5 VIP MEETING ROOM
- 6 LIBRARY
- 7 SECRETARIAL / RECEPTION
- 8 BREAK / LUNCH
- 9 TOILETS
- 10 WAIT / LOBBY
- 11 STORAGE
- 12 JANITORIAL ROOM

AREA: 200 SF

HEIGHT: 8-10 FT

FINISHES IMAGE: QUIET, FORMAL, EXECUTIVE

CEILING: ACOUSTICALLY CONTROLLED

FLOOR: SOFT- CARPET

WALLS: VARIABLE

SYSTEMS HVAC: MULTI ZONE- LOW VEL **PLUMBING:** NONE

LIGHTING: AMBIENT, UPLIGHTING

FURNITURE/EQUIP.: LARGE CONFERENCE TABLE AND CHAIRS FOR 6 PEOPLE, PROJECTION SCREEN

**D3
GRAPHIC
ARTS
ROOM**

USER: ADMINISTRATIVE AND CURATORIAL STAFF

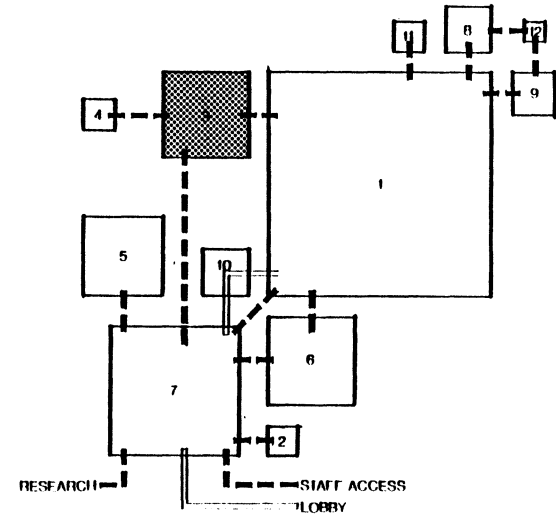
FUNCTION:

- TO PROVIDE A FLEXIBLE AREA FOR GRAPHIC ARTIST TO CREATE AND PRESENT PAMPHLETS, NEWSLETTERS, GRAPHICS FOR EXHIBITS AND ANYTHING ELSE DEALING WITH PUBLIC ANNOUNCEMENTS.

SPECIAL CONSIDERATIONS:

- MUST CLOSELY RELATE TO PUBLIC RELATIONS AND DARK ROOM.

BUBBLE DIAGRAM



- 11 DIRECTOR'S OFFICE
- 12 DIRECTOR OF FINANCE OFFICE
- 13 ASSISTANT DIRECTOR'S OFFICE
- 14 PUBLIC RELATIONS OFFICE
- 15 EXHIBIT CURATOR OFFICE
- 16 EDUCATIONAL CURATOR OFFICE
- 17 DOCENT OFFICE
- 18 BIO TECH OFFICE
- 2 CONFERENCE ROOM
- 3 GRAPHIC ARTS ROOM
- 4 PHOTOGRAPHY LAB
- 5 VIP MEETING ROOM
- 6 LIBRARY
- 7 SECRETARIAL / RECEPTION
- 8 BREAK / LUNCH
- 9 TOILETS
- 10 WAIT / LOBBY
- 11 STORAGE
- 12 JANITORIAL ROOM

AREA: 550 SF

HEIGHT: 10-12 FT

FINISHES IMAGE: STUDIO, FLEXIBLE **CEILING:** ACOUSTIC TILE

FLOOR: HARD- TILE AND SOFT- CARPET **WALLS:** HARD- VINYL

SYSTEMS HVAC: MULTI ZONE- LOW VEL **PLUMBING:** NONE

LIGHTING: SPECIAL AMBIENT (COLOR)

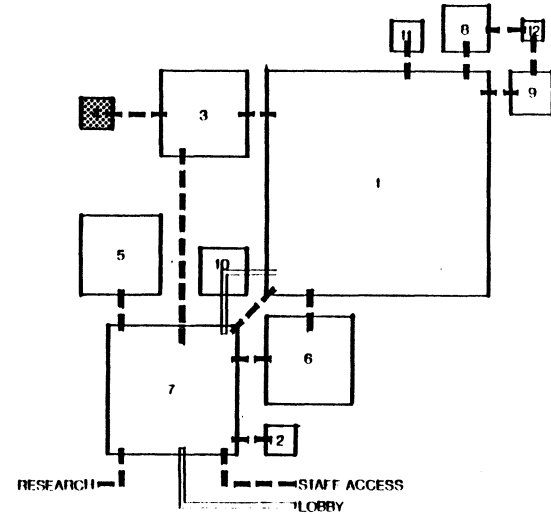
FURNITURE / EQUIP.: STUDIO DESIGN EQUIPMENT, PHOTO COPY MACHINE

D4 PHOTOGRAPHY LAB

USER: ADMINISTRATIVE AND CURATORIAL STAFF
FUNCTION:
 • TO DEVELOP, PROCESS AND DUPLICATE FILM FOR THE ADMINISTRATIVE DEPARTMENT ESPECIALLY FOR THE GRAPHIC ARTS DEPARTMENT.

SPECIAL CONSIDERATIONS:

BUBBLE DIAGRAM



- 11 DIRECTOR'S OFFICE
- 12 DIRECTOR OF FINANCE OFFICE
- 13 ASSISTANT DIRECTOR'S OFFICE
- 14 PUBLIC RELATIONS OFFICE
- 15 EXHIBIT CURATOR OFFICE
- 16 EDUCATIONAL CURATOR OFFICE
- 17 DOCENT OFFICE
- 18 BIO TECH OFFICE
- 2 CONFERENCE ROOM
- 3 GRAPHIC ARTS ROOM
- 4 PHOTOGRAPHY LAB
- 5 VIP MEETING ROOM
- 6 LIBRARY
- 7 SECRETARIAL / RECEPTION
- 8 BREAK / LUNCH
- 9 TOILETS
- 10 WAIT / LOBBY
- 11 STORAGE
- 12 JANITORIAL ROOM

AREA: 200 SF

HEIGHT: 8 FT

FINISHES IMAGE: PRIVATE, ISOLATED **CEILING:** HARD- GYP. BD

FLOOR: HARD- TILE **WALLS:** HARD- VINYL OR TILE

SYSTEMS HVAC: SPECIAL TEMPERATURE CONTROL **PLUMBING:** 3 DEEP SINKS

LIGHTING: NO DAYLIGHT, SPECIAL AMBIENT

FURNITURE / EQUIP.: GENERAL TABLE SPACE FOR SLIDE COPIER, AND COLOR FILM DEVELOPING EQUIPMENT

**D5
V.I.P.
MEETING
ROOM**

USER: ENTIRE AQUARIUM STAFF,
BUSINESS PUBLIC

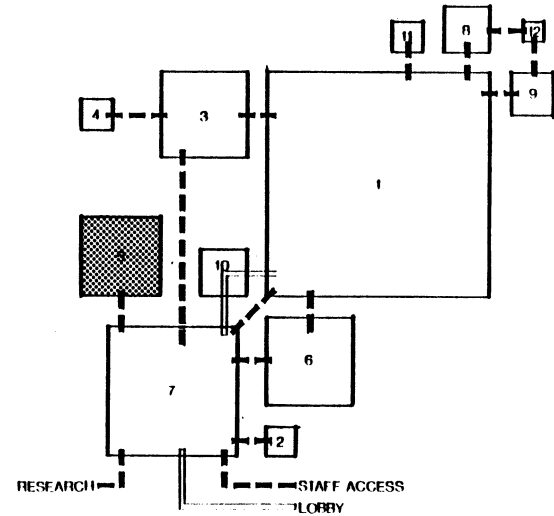
FUNCTION:

- TO PROVIDE AN AREA FOR ALL AQUARIUM STAFF TO GATHER AND DISCUSS/PRESENT TOPICS CONCERNING THE TOTAL WORKINGS AND EFFICIENCY REPORTS OF THE COMPLEX.

SPECIAL CONSIDERATIONS:

- SEATING FOR 20 PEOPLE
- SMALL COUNTER SPACE FOR COFFEE MACHINE AND PAPERS
- CABNETS AND SMALL CLOSET FOR PAMPHLETS
- CASUAL YET FORMAL SEATING IS REQUIRED

BUBBLE DIAGRAM



- 11 DIRECTOR'S OFFICE
- 12 DIRECTOR OF FINANCE OFFICE
- 13 ASSISTANT DIRECTOR'S OFFICE
- 14 PUBLIC RELATIONS OFFICE
- 15 EXHIBIT CURATOR OFFICE
- 16 EDUCATIONAL CURATOR OFFICE
- 17 DOCENT OFFICE
- 18 BIO TECH OFFICE
- 2 CONFERENCE ROOM
- 3 GRAPHIC ARTS ROOM
- 4 PHOTOGRAPHY LAB
- 5 VIP MEETING ROOM
- 6 LIBRARY
- 7 SECRETARIAL / RECEPTION
- 8 BREAK / LUNCH
- 9 TOILETS
- 10 WAIT / LOBBY
- 11 STORAGE
- 12 JANITORIAL ROOM

AREA: 575 SF

HEIGHT: VARIABLE

FINISHES IMAGE: EXECUTIVE, PRIVATE **CEILING:** ACOUSTICALLY CONTROLLED FORMAL

FLOOR: SOFT- CARPET **WALLS:** ACOUSTICALLY CONTROLLED

SYSTEMS HVAC: MULTI ZONE- LOW VEL **PLUMBING:** NONE

LIGHTING: NO DAYLIGHT, AMBIENT WITH DIMMERS

FURNITURE / EQUIP.: SMALL CLOSET, CABNET SPACE, LARGE CHALK BOARD, PROJECTION SCREEN, LARGE WORKTABLE, SEATING FOR 20 PEOPLE

D6 LIBRARY

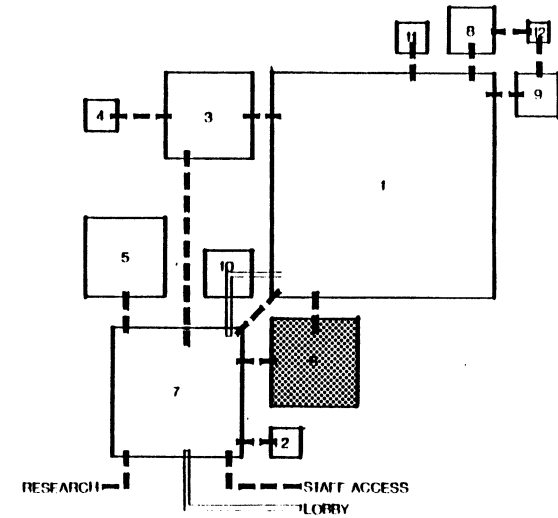
USER: ADMINISTRATIVE, RESEARCH, CURATORIAL, OPERATION STAFF
FUNCTION:

- TO PROVIDE AN AREA FOR A RESOURCE CENTER FOR ALL OF THE AQUARIUM STAFF.

SPECIAL CONSIDERATIONS:

- SECURE AREA, NOT ACCESSIBLE BY PUBLIC.
- BOOK CHECK-OUT CONTROL IS THRU ONE SECRETARY, LOCATED NEAR LIBRARY.
- ONE REFERENCE TABLE
- 500 LINEAR FT. OF SHELVES

BUBBLE DIAGRAM



- 11 DIRECTOR'S OFFICE
- 12 DIRECTOR OF FINANCE OFFICE
- 13 ASSISTANT DIRECTOR'S OFFICE
- 14 PUBLIC RELATIONS OFFICE
- 15 EXHIBIT CURATOR OFFICE
- 16 EDUCATIONAL CURATOR OFFICE
- 17 DOCENT OFFICE
- 18 BIO TECH OFFICE
- 2 CONFERENCE ROOM
- 3 GRAPHIC ARTS ROOM
- 4 PHOTOGRAPHY LAB
- 5 VIP MEETING ROOM
- 6 LIBRARY
- 7 SECRETARIAL / RECEPTION
- 8 BREAK / LUNCH
- 9 TOILETS
- 10 WAIT / LOBBY
- 11 STORAGE
- 12 JANITORIAL ROOM

AREA: 600 SF

HEIGHT: 10-12 FT

FINISHES IMAGE: EDUCATIONAL **CEILING:** ACOUSTIC TILE

FLOOR: SOFT- CARPET **WALLS:** HARD- PAINT

SYSTEMS HVAC: INDEPENDENT SYSTEM **PLUMBING:** NONE

LIGHTING: NO DAYLIGHT, SPECIAL NONGLARE AMBIENT

FURNITURE / EQUIP.: SINGLE AND DOUBLE SIDED BOOK SHELVES, CARD CATALOG

**D7
SECRETARIAL/
RECEPTION**

USER: CURITORIAL, ADMINISTRATIVE, OPERATIONAL, VIPS, VISITORS

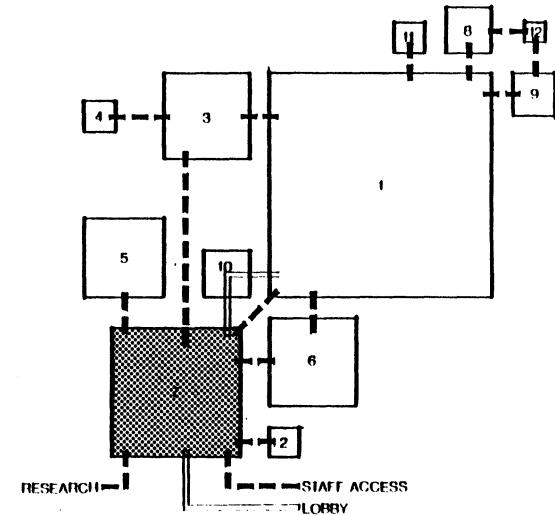
FUNCTION:

- TO PROVIDE AN AREA FOR PAPER WORK AND BASIC SECRETARIAL WORK FOR THE ADMINISTRATIVE OFFICES, AND PROVIDE A CONTROLLED ACCESS TO ADMINISTRATIVE OFFICES

SPECIAL CONSIDERATIONS:

- SHOULD HAVE BASIC COMPUTER CAPABILITIES.
- SPACE FOR 8 SECRETARIAL WORKERS AND THEIR OFFICE EQUIPMENT

BUBBLE DIAGRAM



- 11 DIRECTOR'S OFFICE
- 12 DIRECTOR OF FINANCE OFFICE
- 13 ASSISTANT DIRECTOR'S OFFICE
- 14 PUBLIC RELATIONS OFFICE
- 15 EXHIBIT CURATOR OFFICE
- 16 EDUCATIONAL CURATOR OFFICE
- 17 DOCENT OFFICE
- 18 BIO TECH OFFICE
- 2 CONFERENCE ROOM
- 3 GRAPHIC ARTS ROOM
- 4 PHOTOGRAPHY LAB
- 5 VIP MEETING ROOM
- 6 LIBRARY
- 7 SECRETARIAL / RECEPTION
- 8 BREAK / LUNCH
- 9 TOILETS
- 10 WAIT / LOBBY
- 11 STORAGE
- 12 JANITORIAL ROOM

AREA: 900 SF

HEIGHT: 10-12 FT

FINISHES IMAGE: INVITING, OPEN **CEILING:** VARIABLE

FLOOR: SOFT- CARPET **WALLS:** HARD- PAINT OR VINYL

SYSTEMS HVAC: MULTI ZONE- LOW VEL **PLUMBING:** NONE

LIGHTING: AMBIENT, DAYLIGHT/INDIRECT, TASK

FURNITURE / EQUIP.: OFFICE SPACE FOR 8 SECRETARIAL WORKERS, PHOTO COPY MACHINE

**D 8
BREAK/
LUNCH
ROOM**

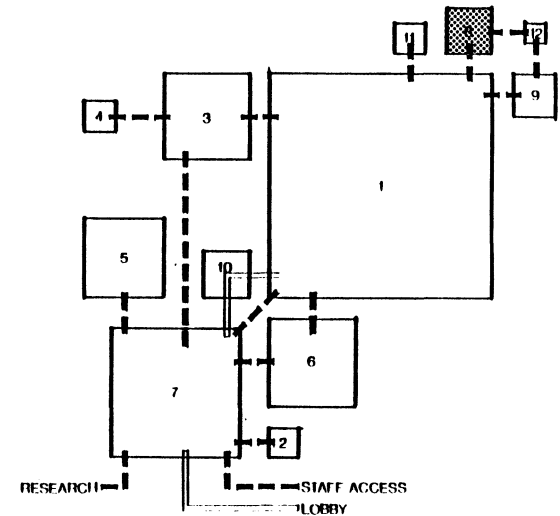
USER: ADMINISTRATIVE, OPERATIONAL, CURATORIAL STAFF
FUNCTION:

- TO PROVIDE AN AREA FOR BREAKS, SMALL LUNCHES AND RELIEF FROM THE NORMAL WORKING ENVIRONMENT

SPECIAL CONSIDERATIONS:

- SMALL KITCHENETTE
- SEATING FOR 4 PEOPLE

BUBBLE DIAGRAM



- 11 DIRECTOR'S OFFICE
- 12 DIRECTOR OF FINANCE OFFICE
- 13 ASSISTANT DIRECTOR'S OFFICE
- 14 PUBLIC RELATIONS OFFICE
- 15 EXHIBIT CURATOR OFFICE
- 16 EDUCATIONAL CURATOR OFFICE
- 17 DOCENT OFFICE
- 18 BIO TECH OFFICE
- 2 CONFERENCE ROOM
- 3 GRAPHIC ARTS ROOM
- 4 PHOTOGRAPHY LAB
- 5 VIP MEETING ROOM
- 6 LIBRARY
- 7 SECRETARIAL / RECEPTION
- 8 BREAK / LUNCH
- 9 TOILETS
- 10 WAIT / LOBBY
- 11 STORAGE
- 12 JANITORIAL ROOM

AREA: 150 SF

HEIGHT: 8-10 FT

FINISHES IMAGE: INFORMAL, RELAXED **CEILING:** ACOUSTIC TILE

FLOOR: HARD- TILE **WALLS:** HARD- PAINT OR TILE
 SOFT- CARPET

SYSTEMS HVAC: MULTI ZONE- LOW VEL **PLUMBING:** KITCHENETTE FACILITIES

LIGHTING: AMBIENT, DAYLIGHTING

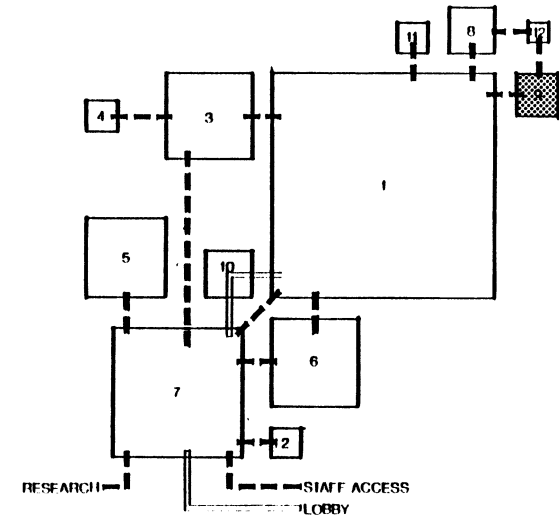
FURNITURE / EQUIP.: KITCHENETTE EQUIPMENT, SEATING FOR 4 PEOPLE, SMALL LOCKERS

**D9
TOILETS**

USER: ADMINISTRATIVE, CURITORIAL,
AND OPERATIONAL STAFF
FUNCTION:
•TO PROVIDE RELIEF FOR THE
ADMINISTRATIVE STAFF

SPECIAL CONSIDERATIONS:

BUBBLE DIAGRAM



- 11 DIRECTOR'S OFFICE
- 12 DIRECTOR OF FINANCE OFFICE
- 13 ASSISTANT DIRECTOR'S OFFICE
- 14 PUBLIC RELATIONS OFFICE
- 15 EXHIBIT CURATOR OFFICE
- 16 EDUCATIONAL CURATOR OFFICE
- 17 DOCENT OFFICE
- 18 BIO TECH OFFICE
- 2 CONFERENCE ROOM
- 3 GRAPHIC ARTS ROOM
- 4 PHOTOGRAPHY LAB
- 5 VIP MEETING ROOM
- 6 LIBRARY
- 7 SECRETARIAL / RECEPTION
- 8 BREAK / LUNCH
- 9 TOILETS
- 10 WAIT/LOBBY
- 11 STORAGE
- 12 JANITORIAL ROOM

AREA: 300 SF (TOTAL)

HEIGHT: 8 FT

FINISHES IMAGE: CLEAN

CEILING: HARD- GYP. BD.

FLOOR: HARD- TILE

WALLS: HARD- TILE

SYSTEMS HVAC: MULTI ZONE- LOW VEL SEPERATE RETURN
PLUMBING: AS REQUIRED BY CODES

LIGHTING: AMBIENT

FURNITURE /EQUIP.:

**D10
WAIT/
LOBBY**

USER: BUSINESS PUBLIC, VISITORS, VIPS

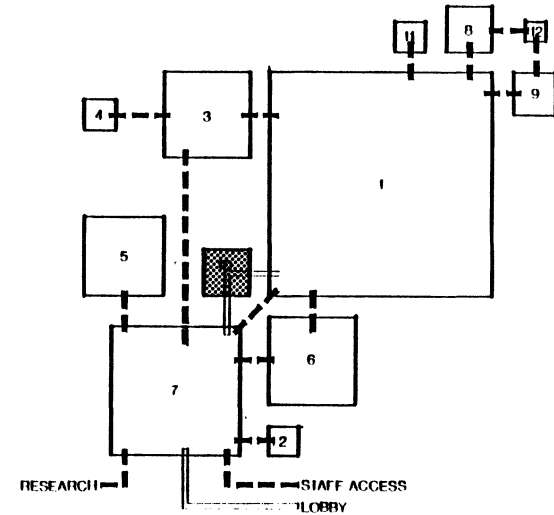
FUNCTION:

- TO PROVIDE AN AREA FOR VISITORS OR BUSINESS PEOPLE TO SIT COMFORTABLY WHILE WAITING TO BE HELPED BY THE ADMINISTRATIVE STAFF.

SPECIAL CONSIDERATIONS:

- SEMI-ISOLATED FROM CIRCULATION OF SECRETARIES AND OFFICES.
- SEATING CAPACITY IS FOR 10 PEOPLE MAXIMUM.

BUBBLE DIAGRAM



- 11 DIRECTOR'S OFFICE
- 12 DIRECTOR OF FINANCE OFFICE
- 13 ASSISTANT DIRECTOR'S OFFICE
- 14 PUBLIC RELATIONS OFFICE
- 15 EXHIBIT CURATOR OFFICE
- 16 EDUCATIONAL CURATOR OFFICE
- 17 DOCENT OFFICE
- 18 BIO TECH OFFICE
- 2 CONFERENCE ROOM
- 3 GRAPHIC ARTS ROOM
- 4 PHOTOGRAPHY LAB
- 5 VIP MEETING ROOM
- 6 LIBRARY
- 7 SECRETARIAL / RECEPTION
- 8 BREAK / LUNCH
- 9 TOILETS
- 10 WAIT/LOBBY
- 11 STORAGE
- 12 JANITORIAL ROOM

AREA: 300 SF

HEIGHT: 8-10 FT

FINISHES IMAGE: RELAXED, OPEN **CEILING:** ACOUSTIC TILE

FLOOR: SOFT- CARPET **WALLS:** HARD- PAINT

SYSTEMS HVAC: MULTI ZONE- LOW VEL **PLUMBING:** NONE

LIGHTING: AMBIENT, DAYLIGHT/INDIRECT

FURNITURE /EQUIP.: LOUNGE SEATING, TABLES, MAGAZINE RACK

D11 STORAGE

USER: ADMINISTRATIVE, CURITORIAL
STAFF

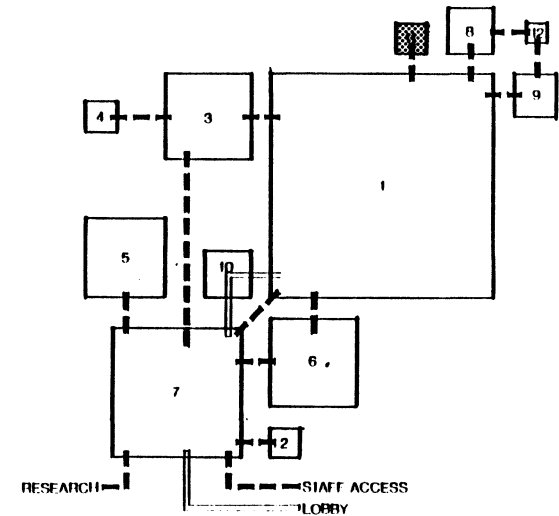
FUNCTION:

- TO PROVIDE AN AREA TO STORE SECRETARIAL PAPERS, GRAPHIC ART SUPPLIES, PAPERS PERTAINING TO THE ADMINISTRATIVE DEPARTMENT AND ANY INCOMING SUPPLIES.

SPECIAL CONSIDERATIONS:

- ADJUSTABLE STEEL SHELVES

BUBBLE DIAGRAM



- 11 DIRECTOR'S OFFICE
- 12 DIRECTOR OF FINANCE OFFICE
- 13 ASSISTANT DIRECTOR'S OFFICE
- 14 PUBLIC RELATIONS OFFICE
- 15 EXHIBIT CURATOR OFFICE
- 16 EDUCATIONAL CURATOR OFFICE
- 17 DOCENT OFFICE
- 18 BIO TECH OFFICE
- 2 CONFERENCE ROOM
- 3 GRAPHIC ARTS ROOM
- 4 PHOTOGRAPHY LAB
- 5 VIP MEETING ROOM
- 6 LIBRARY
- 7 SECRETARIAL / RECEPTION
- 8 BREAK / LUNCH
- 9 TOILETS
- 10 WAIT/LOBBY
- 11 STORAGE
- 12 JANITORIAL ROOM

AREA: 100 SF

HEIGHT: 8-10 FT

FINISHES IMAGE: NONE

CEILING: ACOUSTIC TILE

FLOOR: HARD- TILE

WALLS: HARD- PAINT

SYSTEMS HVAC: MULTI ZONE- LOW VEL **PLUMBING:** NONE

LIGHTING: AMBIENT

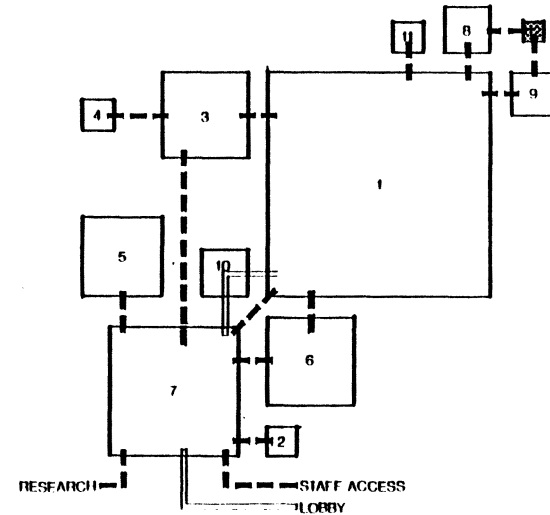
FURNITURE/EQUIP.: STEEL SHELVING

**D12
JANITORIAL
ROOM**

USER: JANITORIAL, OPERATIONAL STAFF
FUNCTION:
 •PROVIDE AN AREA FOR THE STORAGE OF JANITORIAL SUPPLIES AND CLEANING EQUIPMENT FOR THE ADMINISTRATIVE DEPARTMENT.

SPECIAL CONSIDERATIONS:

BUBBLE DIAGRAM



- 11 DIRECTOR'S OFFICE
- 12 DIRECTOR OF FINANCE OFFICE
- 13 ASSISTANT DIRECTOR'S OFFICE
- 14 PUBLIC RELATIONS OFFICE
- 15 EXHIBIT CURATOR OFFICE
- 16 EDUCATIONAL CURATOR OFFICE
- 17 DOCENT OFFICE
- 18 BIO TECH OFFICE
- 2 CONFERENCE ROOM
- 3 GRAPHIC ARTS ROOM
- 4 PHOTOGRAPHY LAB
- 5 VIP MEETING ROOM
- 6 LIBRARY
- 7 SECRETARIAL / RECEPTION
- 8 BREAK / LUNCH
- 9 TOILETS
- 10 WAIT/LOBBY
- 11 STORAGE
- 12 JANITORIAL ROOM

AREA: 60 SF

HEIGHT: 8 FT

FINISHES IMAGE: NONE **CEILING:** EXPOSED

FLOOR: HARD- CONCRETE **WALLS:** HARD- PAINT

SYSTEMS HVAC: MULTI ZONE- LOW VEL **PLUMBING:** SLOP SINK

LIGHTING: AMBIENT

FURNITURE/EQUIP.: SLOP SINK AND SHELVING

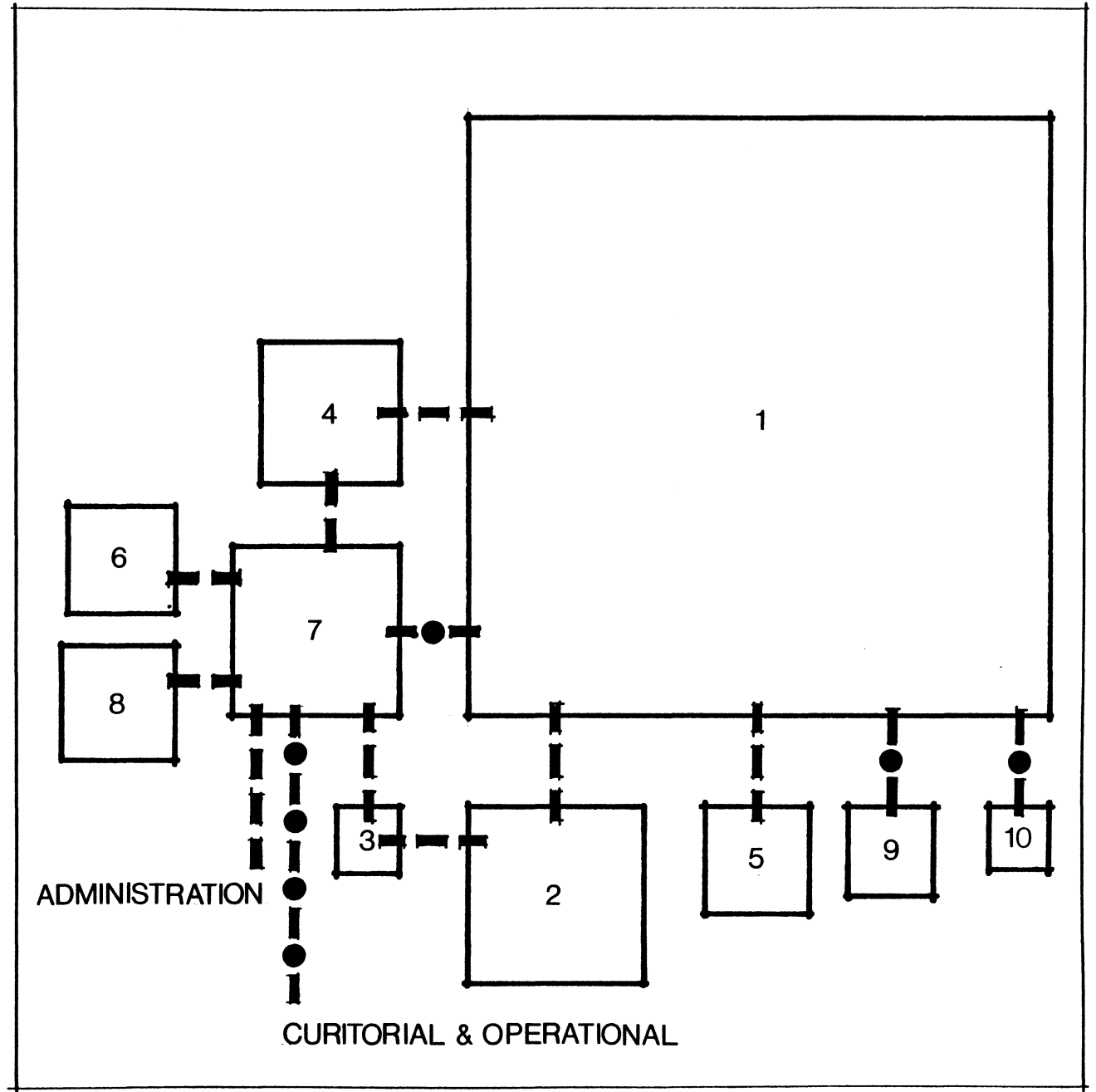
RESEARCH

E RESEARCH

E 1.1	ACTIVATION ANALYSIS LAB	1000
E 1.2	BIOLOGICAL LAB	600
E 1.3	GENERAL RESEARCH LABS (FIVE)	3000
E 1.4	GENERAL WET LAB	1200
E 1.5	CHEMISTRY LAB	600
E 2	VISITING LAB	600
E 3	VISITOR'S OFFICE	150
E 4	GENERAL OFFICES (FOUR)	800
E 5.1	PHOTOGRAPHY OFFICE	250
E 5.2	PHOTOGRAPHY DARKROOM	100
E 6	CONFERENCE ROOM	400
E 7	SECRETARIAL OFFICE	600
E 8.1	BREAK/LUNCH ROOM	150
E 8.2	TOILETS	200
E 9	STORAGE	300
E 10	JANITORIAL ROOM	100
		10050

**FUNCTIONAL
RELATIONSHIP
DIAGRAM**

LEGEND



THE TEXAS STATE AQUARIUM * CORPUS CHRISTI, TX.

E1.1 ACTIVATION ANALYSIS LAB

USER: RESEARCH STAFF

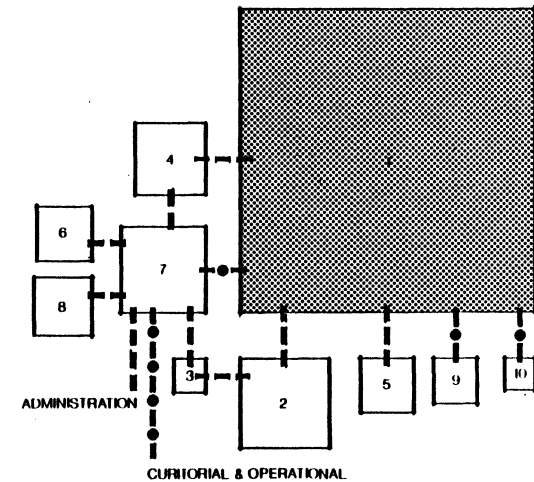
FUNCTION:

- TO STUDY THE EFFECTS OF TEMPERATURE AND TIME ON AQUATIC LIFE.

SPECIAL CONSIDERATIONS:

- ABILITY TO STUDY LARGE AND SMALL ANIMALS.

BUBBLE DIAGRAM



- 11 ACTIVATION ANALYSIS LAB
- 12 BIOLOGICAL LAB
- 13 GENERAL RESEARCH LABS
- 14 GENERAL WET LAB
- 2 VISITING LAB
- 3 VISITOR'S OFFICE
- 4 GENERAL OFFICES
- 5.1 PHOTOGRAPHY
- 5.2 DARK ROOM
- 6 CONFERENCE ROOM
- 7 SECRETARIAL OFFICE
- 8.1 BREAK/LUNCH ROOM
- 8.2 TOILETS
- 9 STORAGE
- 10 JANITORIAL ROOM

AREA: 1,000 SF

HEIGHT: 10-12 FT

FINISHES IMAGE: ORGANIZED, CLEAN **CEILING:** HARD- GYP. BD.

FLOOR: HARD- TILE **WALLS:** HARD- TILE

SYSTEMS HVAC: MULTI ZONE- LOW VEL **PLUMBING:** FLOOR DRAINS AND PLUMBING ACCESS

LIGHTING: AMBIENT, DAYLIGHT/INDIRECT, FLEXIBLE LIGHTING

FURNITURE/EQUIP.: LAB TABLES, SINKS, CHAIRS

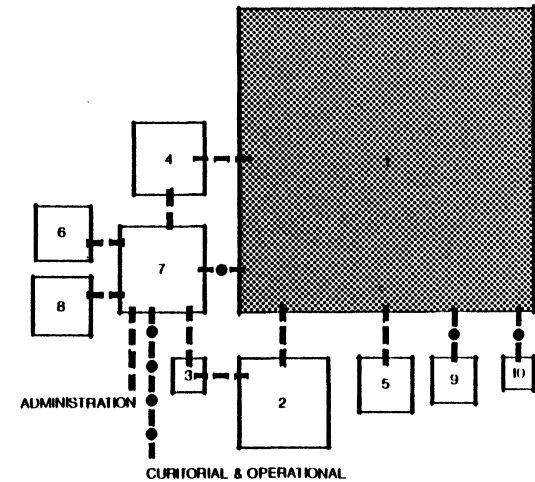
**E1.2
BIOLOGICAL
LAB**

USER: RESEARCH STAFF

FUNCTION:
 • TO STUDY THE BIOLOGICAL MAKE-UP OF VARIOUS AQUATIC ANIMALS.

SPECIAL CONSIDERATIONS:
 • FLEXIBILITY OF THE SPACE TO ADAPT TO A VARIETY OF EXPERIMENTS.

BUBBLE DIAGRAM



- 1.1 ACTIVATION ANALYSIS LAB
- 1.2 BIOLOGICAL LAB
- 1.3 GENERAL RESEARCH LABS
- 1.4 GENERAL WET LAB
- 2 VISITING LAB
- 3 VISITOR'S OFFICE
- 4 GENERAL OFFICES
- 5.1 PHOTOGRAPHY
- 5.2 DARK ROOM
- 6 CONFERENCE ROOM
- 7 SECRETARIAL OFFICE
- 8.1 BREAK/LUNCH ROOM
- 8.2 TOILETS
- 9 STORAGE
- 10 JANITORIAL ROOM

AREA: 600 SF

HEIGHT: 10-12 FT

FINISHES IMAGE: ORGANIZED, CLEAN **CEILING:** HARD- GYP. BD.

FLOOR: HARD- TILE **WALLS:** HARD- TILE

SYSTEMS HVAC: MULTI ZONE- LOW VEL **PLUMBING:** FLOOR DRAINS AND PLUMBING ACCESS

LIGHTING: AMBIENT, DAYLIGHT/INDIRECT

FURNITURE/EQUIP.: LAB TABLES, SINKS

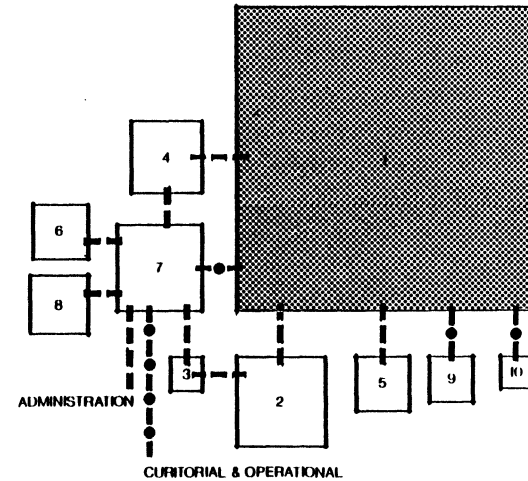
**E1.3
GENERAL
RESEARCH
LABS**

USER: RESEARCH STAFF

FUNCTION:
 •GENERAL TYPES OF EXPERIMENTATION

SPECIAL CONSIDERATIONS:
 •FLEXIBILITY FOR VARIETY OF EXPERIMENTS.
 •5 LABORATORIES AT 600 SF EACH
 •SMALL STORAGE CLOSETS AT 50 SF EACH

BUBBLE DIAGRAM



- 1.1 ACTIVATION ANALYSIS LAB
- 1.2 BIOLOGICAL LAB
- 1.3 GENERAL RESEARCH LABS
- 1.4 GENERAL WET LAB
- 2 VISITING LAB
- 3 VISITOR'S OFFICE
- 4 GENERAL OFFICES
- 5.1 PHOTOGRAPHY
- 5.2 DARK ROOM
- 6 CONFERENCE ROOM
- 7 SECRETARIAL OFFICE
- 8.1 BREAK/LUNCH ROOM
- 8.2 TOILETS
- 9 STORAGE
- 10 JANITORIAL ROOM

AREA: 3,000 SF (600 SF EACH)

HEIGHT: 10-12 FT

FINISHES IMAGE: ORGANIZED, CLEAN **CEILING:** HARD- GYP. BD.

FLOOR: HARD- TILE **WALLS:** HARD- TILE

SYSTEMS HVAC: MULTI ZONE- LOW VEL **PLUMBING:** FLOOR DRAINS AND PLUMBING ACCESS

LIGHTING: AMBIENT, DAYLIGHT/INDIRECT

FURNITURE/EQUIP.: LAB TABLES, SINKS, SMALL STORAGE CLOSETS- 50 SF

**E1.4
GENERAL
WET
LAB**

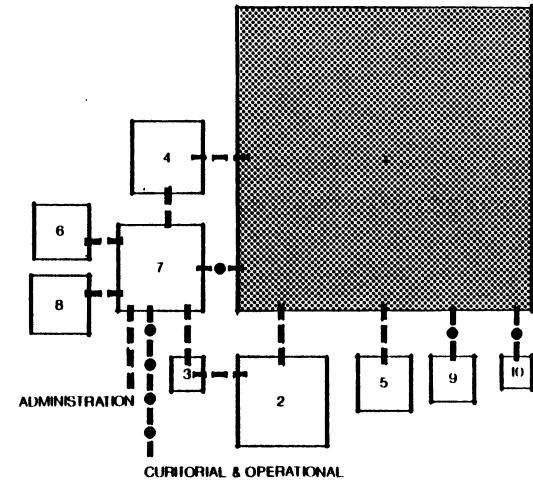
USER: RESEARCH, CURATORIAL STAFF,
AQUATIC ANIMALS

FUNCTION:
•TO STUDY THE PSYCHOLOGICAL
BEHAVIORAL REACTIONS OF
AQUATIC ANIMALS.

SPECIAL CONSIDERATIONS:

- LARGE AND SMALL AQUARIUM TANKS.
- DIRECT LINK WITH WATER PLANT FOR LARGE SOURCES OF TREATED WATER.

BUBBLE DIAGRAM



- 1.1 ACTIVATION ANALYSIS LAB
- 1.2 BIOLOGICAL LAB
- 1.3 GENERAL RESEARCH LABS
- 1.4 GENERAL WET LAB
- 2 VISITING LAB
- 3 VISITOR'S OFFICE
- 4 GENERAL OFFICES
- 5.1 PHOTOGRAPHY
- 5.2 DARK ROOM
- 6 CONFERENCE ROOM
- 7 SECRETARIAL OFFICE
- 8.1 BREAK/LUNCH ROOM
- 8.2 TOILETS
- 9 STORAGE
- 10 JANITORIAL ROOM

AREA: 1200 SF

HEIGHT: 10-12 FT

FINISHES IMAGE: ORGANIZED, CLEAN **CEILING:** HARD- GYP. BD

FLOOR: HARD- NONSLIP **WALLS:** HARD- TILE

SYSTEMS HVAC: MULTI ZONE- LOW VEL **PLUMBING:** FLOOR DRAINS AND PLUMBING ACCESS

LIGHTING: AMBIENT, DAYLIGHT/INDIRECT

FURNITURE /EQUIP.: LARGE WORKTABLES, LAB TABLES, LARGE SINK AND SPOUTS, OVERHEAD HOIST, WATER TANKS WITH DIVIDERS

E1.5 CHEMISTRY LAB

USER : RESEARCH STAFF

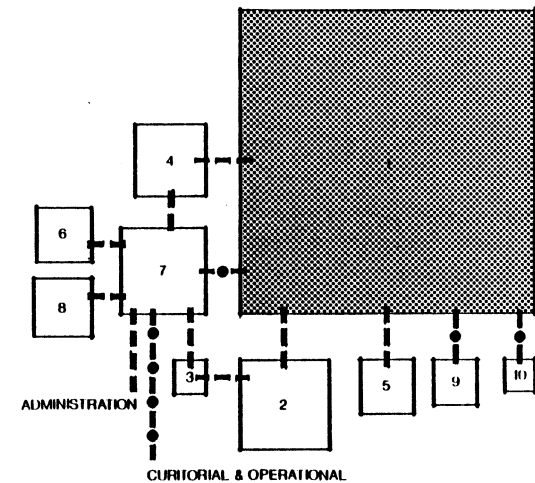
FUNCTION :

- PRIMARY FUNCTION OF THIS LABORATORY INVOLVES CHEMISTRY.

SPECIAL CONSIDERATIONS :

- SMALL CLOSET FOR STORAGE OF CHEMICALS 75 SF.

BUBBLE DIAGRAM



- 1.1 ACTIVATION ANALYSIS LAB
- 1.2 BIOLOGICAL LAB
- 1.3 GENERAL RESEARCH LABS
- 1.4 GENERAL WET LAB
- 2 VISITING LAB
- 3 VISITOR'S OFFICE
- 4 GENERAL OFFICES
- 5.1 PHOTOGRAPHY
- 5.2 DARK ROOM
- 6 CONFERENCE ROOM
- 7 SECRETARIAL OFFICE
- 8.1 BREAK/LUNCH ROOM
- 8.2 TOILETS
- 9 STORAGE
- 10 JANITORIAL ROOM

AREA : 600 SF

HEIGHT : 10-12 FT

FINISHES IMAGE : ORGANIZED, CLEAN **CEILING :** HARD- GYP. BD.

FLOOR : HARD- TILE **WALLS :** HARD- TILE

SYSTEMS HVAC : MULTI ZONE- LOW VEL **PLUMBING :** FLOOR DRAINS AND PLUMBING ACCESS

LIGHTING : AMBIENT, DAYLIGHT/INDIRECT

FURNITURE/EQUIP. : LAB TABLES, SINKS, CHEMICAL CLOSET- 75 SF.

**E2
VISITING
LAB**

USER: HIGH SCHOOLS, UNIV. STUDENTS,
VISITING RESEARCHERS

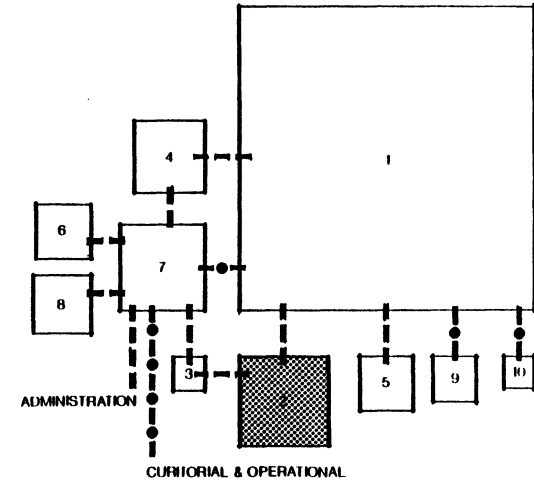
FUNCTION:

- PROVIDE A FLEXIBLE LABORATORY FOR VISITING RESEARCHERS, COLLEGE AND HIGH SCHOOL STUDENTS.

SPECIAL CONSIDERATIONS:

- PROVIDE FLEXIBILITY FOR ARRANGEMENT OF LABORATORY EQUIPMENT AND TABLES TO FIT THE NEEDS OF DIFFERENT RESEARCHERS AND EXPERIMENTS.

BUBBLE DIAGRAM



- 1.1 ACTIVATION ANALYSIS LAB
- 1.2 BIOLOGICAL LAB
- 1.3 GENERAL RESEARCH LABS
- 1.4 GENERAL WET LAB
- 2 VISITING LAB
- 3 VISITOR'S OFFICE
- 4 GENERAL OFFICES
- 5.1 PHOTOGRAPHY
- 5.2 DARK ROOM
- 6 CONFERENCE ROOM
- 7 SECRETARIAL OFFICE
- 8.1 BREAK/LUNCH ROOM
- 8.2 TOILETS
- 9 STORAGE
- 10 JANITORIAL ROOM

AREA: 600 SF

HEIGHT: 10-12 FT

FINISHES IMAGE: FLEXIBLE, CLEAN

CEILING: HARD- GYP. BD.

FLOOR: HARD- TILE

WALLS: HARD- TILE

SYSTEMS HVAC: MULTI ZONE- LOW VEL

PLUMBING: FLOOR DRAINS AND PLUMBING ACCESS

LIGHTING: AMBIENT, DAYLIGHT/INDIRECT

FURNITURE/EQUIP.: FLEXIBLE ARRANGEMENT OF LAB TABLES, DEEP SINKS, STORAGE CLOSET

E3 VISITOR'S OFFICE

USER: VISITING RESEARCHERS

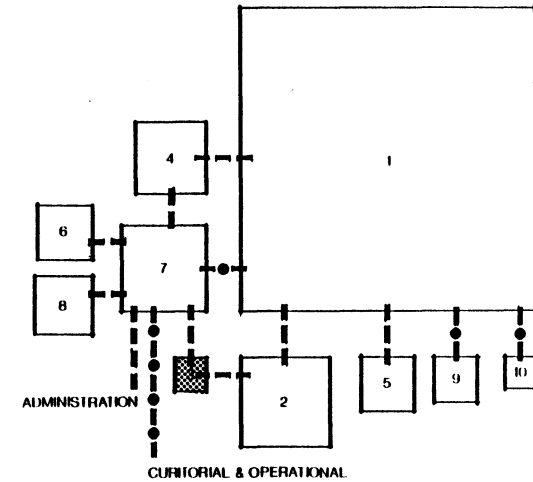
FUNCTION:

- PROVIDE AN OFFICE FOR VISITING RESEARCHERS TO ANALYZE RESEARCH DATA.

SPECIAL CONSIDERATIONS:

- FLEXIBLE OFFICE ARRANGEMENT.
- SITUATED NEXT TO OTHER RESEARCH OFFICES AND LABS.
- PERSONAL COMPUTER LOCATED WITHIN OFFICE.

BUBBLE DIAGRAM



- 1.1 ACTIVATION ANALYSIS LAB
- 1.2 BIOLOGICAL LAB
- 1.3 GENERAL RESEARCH LABS
- 1.4 GENERAL WET LAB
- 2 VISITING LAB
- 3 VISITOR'S OFFICE
- 4 GENERAL OFFICES
- 5.1 PHOTOGRAPHY
- 5.2 DARK ROOM
- 6 CONFERENCE ROOM
- 7 SECRETARIAL OFFICE
- 8.1 BREAK/LUNCH ROOM
- 8.2 TOILETS
- 9 STORAGE
- 10 JANITORIAL ROOM

AREA: 150 SF

HEIGHT: 8-10 FT

FINISHES IMAGE: FLEXIBLE, RELAXED **CEILING:** ACOUSTIC TILE

FLOOR: SOFT- CARPET **WALLS:** HARD- PAINT

SYSTEMS HVAC: MULTI ZONE- LOW VEL **PLUMBING:** NONE

LIGHTING: AMBIENT, DAYLIGHT, TASK

FURNITURE/EQUIP.: OFFICE FURNITURE FOR ONE, COMPUTER TERMINAL

E4 GENERAL OFFICES

USER: RESEARCH STAFF

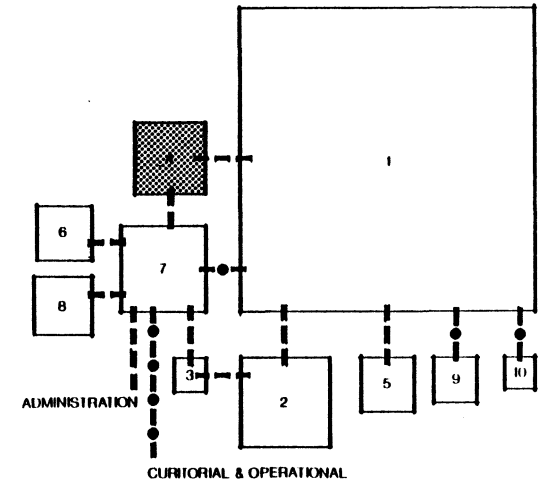
FUNCTION:

- PROVIDE OFFICES FOR RESEARCHERS TO ANALYZE RESEARCH DATA.

SPECIAL CONSIDERATIONS:

- PERSONAL COMPUTERS LOCATED WITHIN EACH OFFICE.
- 4 OFFICES AT 200 SF EACH

BUBBLE DIAGRAM



- 11 ACTIVATION ANALYSIS LAB
- 12 BIOLOGICAL LAB
- 13 GENERAL RESEARCH LABS
- 14 GENERAL WET LAB
- 2 VISITING LAB
- 3 VISITOR'S OFFICE
- 4 GENERAL OFFICES
- 51 PHOTOGRAPHY
- 52 DARK ROOM
- 6 CONFERENCE ROOM
- 7 SECRETARIAL OFFICE
- 81 BREAK/LUNCH ROOM
- 82 TOILETS
- 9 STORAGE
- 10 JANITORIAL ROOM

AREA: 200 SF EACH

HEIGHT: 8-10 FT

FINISHES IMAGE: RELAXING, PRIVATE **CEILING:** ACOUSTIC TILE

FLOOR: SOFT- CARPET **WALLS:** HARD- PAINT

SYSTEMS HVAC: MULTI ZONE LOW VEL **PLUMBING:** NONE

LIGHTING: AMBIENT, TASK, DAYLIGHT

FURNITURE/EQUIP.: OFFICE FURNITURE FOR ONE, COMPUTER TERMINAL

E 5.1 PHOTOGRAPHY

USER: RESEARCH STAFF

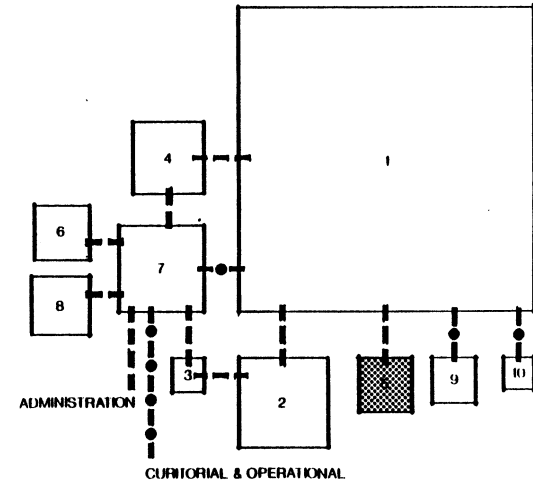
FUNCTION:

- TO PROVIDE A MEANS OF RECORDING AND EXPERIMENTATION FOR THE RESEARCHERS.

SPECIAL CONSIDERATIONS:

- ADAPTABLE FOR MANY DIFFERENT PHOTOGRAPHIC METHODS (FLEXIBLE).

BUBBLE DIAGRAM



- 1.1 ACTIVATION ANALYSIS LAB
- 1.2 BIOLOGICAL LAB
- 1.3 GENERAL RESEARCH LABS
- 1.4 GENERAL WET LAB
- 2 VISITING LAB
- 3 VISITOR'S OFFICE
- 4 GENERAL OFFICES
- 5.1 PHOTOGRAPHY
- 5.2 DARK ROOM
- 6 CONFERENCE ROOM
- 7 SECRETARIAL OFFICE
- 8.1 BREAK/LUNCH ROOM
- 8.2 TOILETS
- 9 STORAGE
- 10 JANITORIAL ROOM

AREA: 250 SF

HEIGHT: 8-10 FT

FINISHES IMAGE: ORGANIZED, OPEN **CEILING:** ACOUSTIC TILE

FLOOR: SOFT AND HARD **WALLS:** HARD- PAINT

SYSTEMS HVAC: MULTI ZONE-LOW VEL **PLUMBING:** NONE

LIGHTING: AMBIENT, TASK

FURNITURE/EQUIP.: LAB TABLES, DESK, LARGE FILES, LARGE WORKTABLE

E5.2 DARK ROOM

USER: RESEARCH STAFF

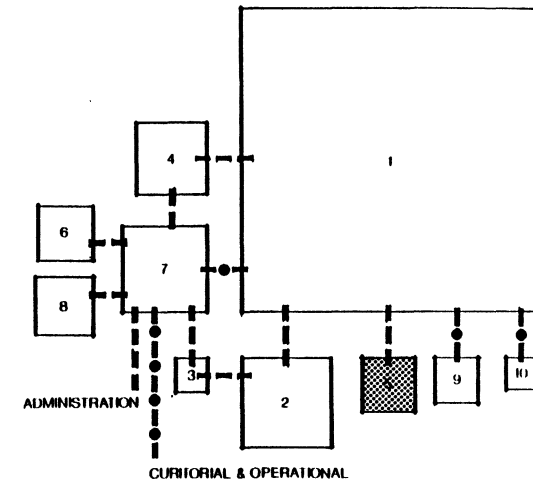
FUNCTION:

- TO DEVELOP, PROCESS, AND DUPLICATE FILM FOR THE RESEARCHERS ONLY.

SPECIAL CONSIDERATIONS:

- AVOIDANCE OF LIGHT INTO THE DARK ROOM IS A MUST.

BUBBLE DIAGRAM



- 1.1 ACTIVATION ANALYSIS LAB
- 1.2 BIOLOGICAL LAB
- 1.3 GENERAL RESEARCH LABS
- 1.4 GENERAL WET LAB
- 2 VISITING LAB
- 3 VISITOR'S OFFICE
- 4 GENERAL OFFICES
- 5.1 PHOTOGRAPHY
- 5.2 DARK ROOM
- 6 CONFERENCE ROOM
- 7 SECRETARIAL OFFICE
- 8.1 BREAK/LUNCH ROOM
- 8.2 TOILETS
- 9 STORAGE
- 10 JANITORIAL ROOM

AREA: 100 SF

HEIGHT: 8 FT

FINISHES IMAGE: PRIVATE, ISOLATED **CEILING:** HARD- GYP. BD.

FLOOR: HARD- TILE **WALLS:** HARD- TILE

SYSTEMS HVAC: MULTI ZONE- LOW VEL **PLUMBING:** FLOOR DRAIN

LIGHTING: CONTROLLED SPECIAL AMBIENT, NO DAYLIGHT

FURNITURE/EQUIP.: WORK SPACE FOR SLIDE COPIER, COLOR AND BLACK AND WHITE DEVELOPER AND ACCESSORY EQUIPMENT

E6 CONFERENCE ROOM

USER: RESEARCH STAFF, VISITING RESEARCHERS, SECRETARIES

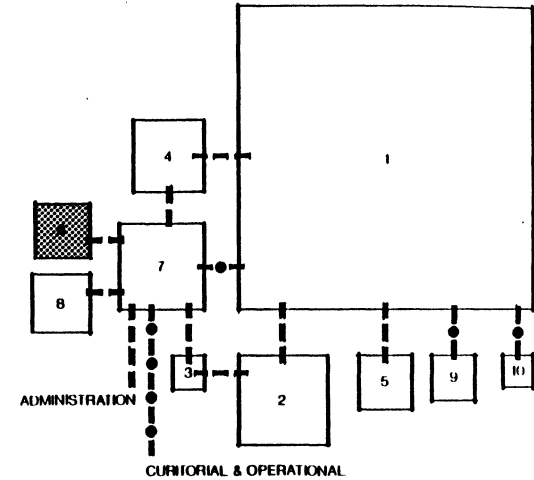
FUNCTION:

- TO PROVIDE A SPACE FOR SMALL GROUP MEETINGS TO DISCUSS AND PRESENT TOPICS RELATING TO RESEARCH ACTIVITIES IN THE FACILITY.

SPECIAL CONSIDERATIONS:

- SEATING FOR 8 PEOPLE.
- PROJECTION SCREEN.

BUBBLE DIAGRAM



- 1.1 ACTIVATION ANALYSIS LAB
- 1.2 BIOLOGICAL LAB
- 1.3 GENERAL RESEARCH LABS
- 1.4 GENERAL WET LAB
- 2 VISITING LAB
- 3 VISITOR'S OFFICE
- 4 GENERAL OFFICES
- 5.1 PHOTOGRAPHY
- 5.2 DARK ROOM
- 6 CONFERENCE ROOM
- 7 SECRETARIAL OFFICE
- 8.1 BREAK/LUNCH ROOM
- 8.2 TOILETS
- 9 STORAGE
- 10 JANITORIAL ROOM

AREA: 400 SF

HEIGHT: 8-10 FT

FINISHES IMAGE: PRIVATE, EXECUTIVE **CEILING:** ACOUSTICALLY CONTROLLED

FLOOR: SOFT- CARPET **WALLS:** HARD AND SOFT

SYSTEMS HVAC: MULTI ZONE- LOW VEL **PLUMBING:** NONE

LIGHTING: NONGLARE LIGHTING

FURNITURE/EQUIP.: LARGE CONFERENCE TABLE, SEATING FOR 8 PEOPLE, PROJECTION SCREEN

**E7
SECRETARIAL
OFFICE**

USER: RESEARCH STAFF, VISITING RESEARCHERS, SECRETARIES

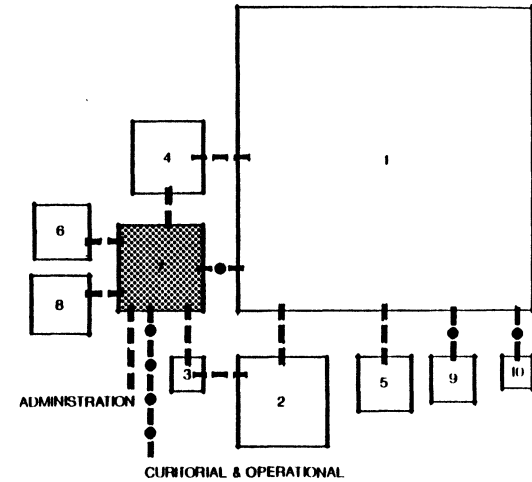
FUNCTION:

- SPACE FOR PAPER WORK AND BASIC SECRETARIAL WORK FOR THE RESEARCH OFFICES, AND TO PROVIDE CONTROLLED ACCESS TO THE RESEARCH AREAS.

SPECIAL CONSIDERATIONS:

- OPEN PLAN
- SHOULD HAVE COMPUTER CAPABILITIES.
- SPACE FOR 5 SECRETARIES

BUBBLE DIAGRAM



- 1.1 ACTIVATION ANALYSIS LAB
- 1.2 BIOLOGICAL LAB
- 1.3 GENERAL RESEARCH LABS
- 1.4 GENERAL WET LAB
- 2 VISITING LAB
- 3 VISITOR'S OFFICE
- 4 GENERAL OFFICES
- 5.1 PHOTOGRAPHY
- 5.2 DARK ROOM
- 6 CONFERENCE ROOM
- 7 SECRETARIAL OFFICE
- 8.1 BREAK/LUNCH ROOM
- 8.2 TOILETS
- 9 STORAGE
- 10 JANITORIAL ROOM

AREA: 600 SF

HEIGHT: 8-10 FT

FINISHES IMAGE: OPEN, EXECUTIVE **CEILING:** ACOUSTIC TILE

FLOOR: SOFT- CARPET **WALLS:** HARD- PAINT

SYSTEMS HVAC: MULTI ZONE- LOW VEL **PLUMBING:** NONE

LIGHTING: NONGLARE AMBIENT, DAYLIGHT, TASK

FURNITURE/EQUIP.: OFFICE FURNITURE FOR 5 SECRETARIES, LARGE FILES, PHOTO COPY MACHINE

**E 8.1
BREAK /
LUNCH
ROOM**

USER: RESEARCH STAFF, VISITING RESEARCHERS, SECRETARIES

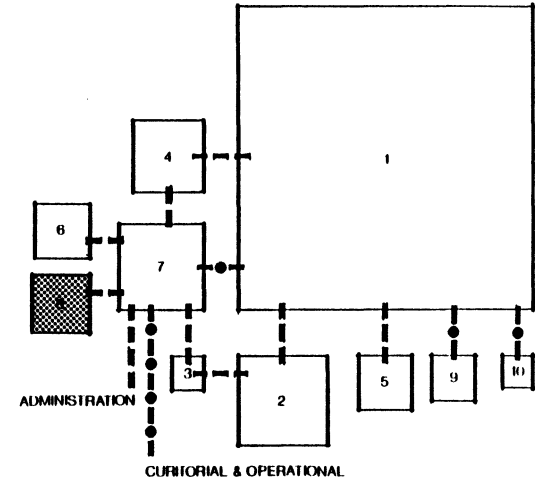
FUNCTION:

- TO PROVIDE AN AREA FOR BREAKS, SMALL LUNCHESS AND A RELIEF FROM THE NORMAL WORKING ENVIRONMENT.

SPECIAL CONSIDERATIONS:

- HAS A SMALL KITCHENETTE.
- LOCKERS FOR SECRETARIAL STAFF.
- SEATING FOR 4 PEOPLE.

BUBBLE DIAGRAM



- 1.1 ACTIVATION ANALYSIS LAB
- 1.2 BIOLOGICAL LAB
- 1.3 GENERAL RESEARCH LABS
- 1.4 GENERAL WET LAB
- 2 VISITING LAB
- 3 VISITOR'S OFFICE
- 4 GENERAL OFFICES
- 5.1 PHOTOGRAPHY
- 5.2 DARK ROOM
- 6 CONFERENCE ROOM
- 7 SECRETARIAL OFFICE
- 8.1 BREAK / LUNCH ROOM
- 8.2 TOILETS
- 9 STORAGE
- 10 JANITORIAL ROOM

AREA: 150 SF

HEIGHT: 8-10 FT

FINISHES IMAGE: RELAXED, INFORMAL **CEILING:** ACOUSTIC TILE

FLOOR: HARD- TILE **WALLS:** HARD- PAINT AND TILE

SYSTEMS HVAC: MULTI ZONE- LOW VEL **PLUMBING:** SINK

LIGHTING: AMBIENT, DAYLIGHT

FURNITURE / EQUIP.: KITCHENETTE EQUIPMENT, LOCKERS, TABLE AND CHAIRS FOR 4 PEOPLE

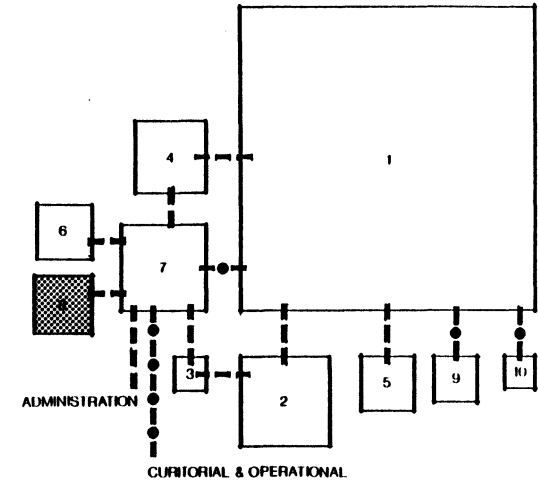
E8.2 TOILETS

USER: RESEARCH STAFF, VISITING RESEARCHERS, SECRETARIES

FUNCTION:
 • TO PROVIDE RELIEF FOR THE RESEARCH DEPARTMENT PERSONEL.

SPECIAL CONSIDERATIONS:
 • SHOULD HAVE ACCESS TO BREAK ROOM AND SECRETARIAL POOL

BUBBLE DIAGRAM



- 1.1 ACTIVATION ANALYSIS LAB
- 1.2 BIOLOGICAL LAB
- 1.3 GENERAL RESEARCH LABS
- 1.4 GENERAL WET LAB
- 2 VISITING LAB
- 3 VISITOR'S OFFICE
- 4 GENERAL OFFICES
- 5.1 PHOTOGRAPHY
- 5.2 DARK ROOM
- 6 CONFERENCE ROOM
- 7 SECRETARIAL OFFICE
- 8.1 BREAK/LUNCH ROOM
- 8.2 TOILETS
- 9 STORAGE
- 10 JANITORIAL ROOM

AREA: 200 SF (100 SF EACH)

HEIGHT: 8 FT

FINISHES IMAGE: CLEAN

CEILING: HARD- GYP. BD

FLOOR: HARD- TILE

WALLS: HARD- TILE

SYSTEMS HVAC: MULTI ZONE- LOW VEL SEPERATE RETURN

PLUMBING: AS REQUIRED BY CODE

LIGHTING: AMBIENT

FURNITURE /EQUIP.:

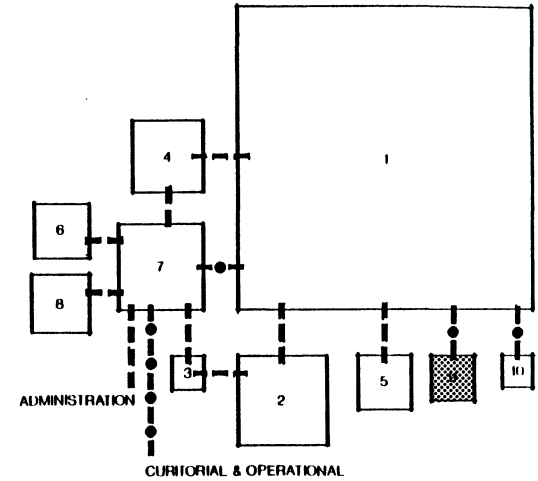
**9
STORAGE**

USER: RESEARCH STAFF, SECRETARIES

FUNCTION:
 • TO PROVIDE AN AREA TO STORE SECRETARIAL PAPERS, LABORATORY EQUIPMENT NOT IN USE, AND ALL INCOMING SUPPLIES.

SPECIAL CONSIDERATIONS:

BUBBLE DIAGRAM



- 11 ACTIVATION ANALYSIS LAB
- 12 BIOLOGICAL LAB
- 13 GENERAL RESEARCH LABS
- 14 GENERAL WET LAB
- 2 VISITING LAB
- 3 VISITOR'S OFFICE
- 4 GENERAL OFFICES
- 51 PHOTOGRAPHY
- 52 DARK ROOM
- 6 CONFERENCE ROOM
- 7 SECRETARIAL OFFICE
- 8.1 BREAK/LUNCH ROOM
- 8.2 TOILETS
- 9 STORAGE
- 10 JANITORIAL ROOM

AREA: 300 SF

HEIGHT: 10-12 FT

FINISHES IMAGE: NONE

CEILING: HARD- GYP. BD.

FLOOR: HARD- TILE

WALLS: HARD- VINYL

SYSTEMS HVAC: MULTI ZONE-LOW VEL

PLUMBING: NONE

LIGHTING: AMBIENT

FURNITURE/EQUIP.: STEEL SHELIVING, MOVABLE CARTS

**E10
JANITORIAL
ROOM**

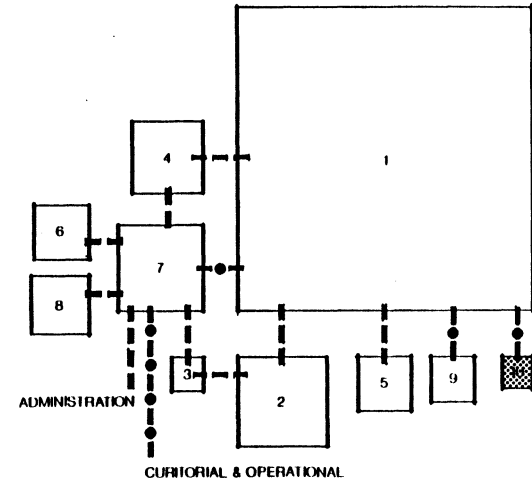
USER: RESEARCH STAFF, JANITORS

FUNCTION:

- PROVIDE AN AREA FOR THE STORAGE OF JANITORIAL SUPPLIES AND CLEANING EQUIPMENT FOR THE RESEARCH DEPARTMENT.

SPECIAL CONSIDERATIONS:

BUBBLE DIAGRAM



- 1.1 ACTIVATION ANALYSIS LAB
- 1.2 BIOLOGICAL LAB
- 1.3 GENERAL RESEARCH LABS
- 1.4 GENERAL WET LAB
- 2 VISITING LAB
- 3 VISITOR'S OFFICE
- 4 GENERAL OFFICES
- 5.1 PHOTOGRAPHY
- 5.2 DARK ROOM
- 6 CONFERENCE ROOM
- 7 SECRETARIAL OFFICE
- 8.1 BREAK/LUNCH ROOM
- 8.2 TOILETS
- 9 STORAGE
- 10 JANITORIAL ROOM

AREA: 100 SF

HEIGHT: 8 FT

FINISHES IMAGE: NONE

CEILING: EXPOSED

FLOOR: HARD- CONC. OR TILE

WALLS: HARD- PAINT

SYSTEMS HVAC: MULTI ZONE- LOW VEL

PLUMBING: SLOP SINK, FLOOR DRAIN

LIGHTING: AMBIENT

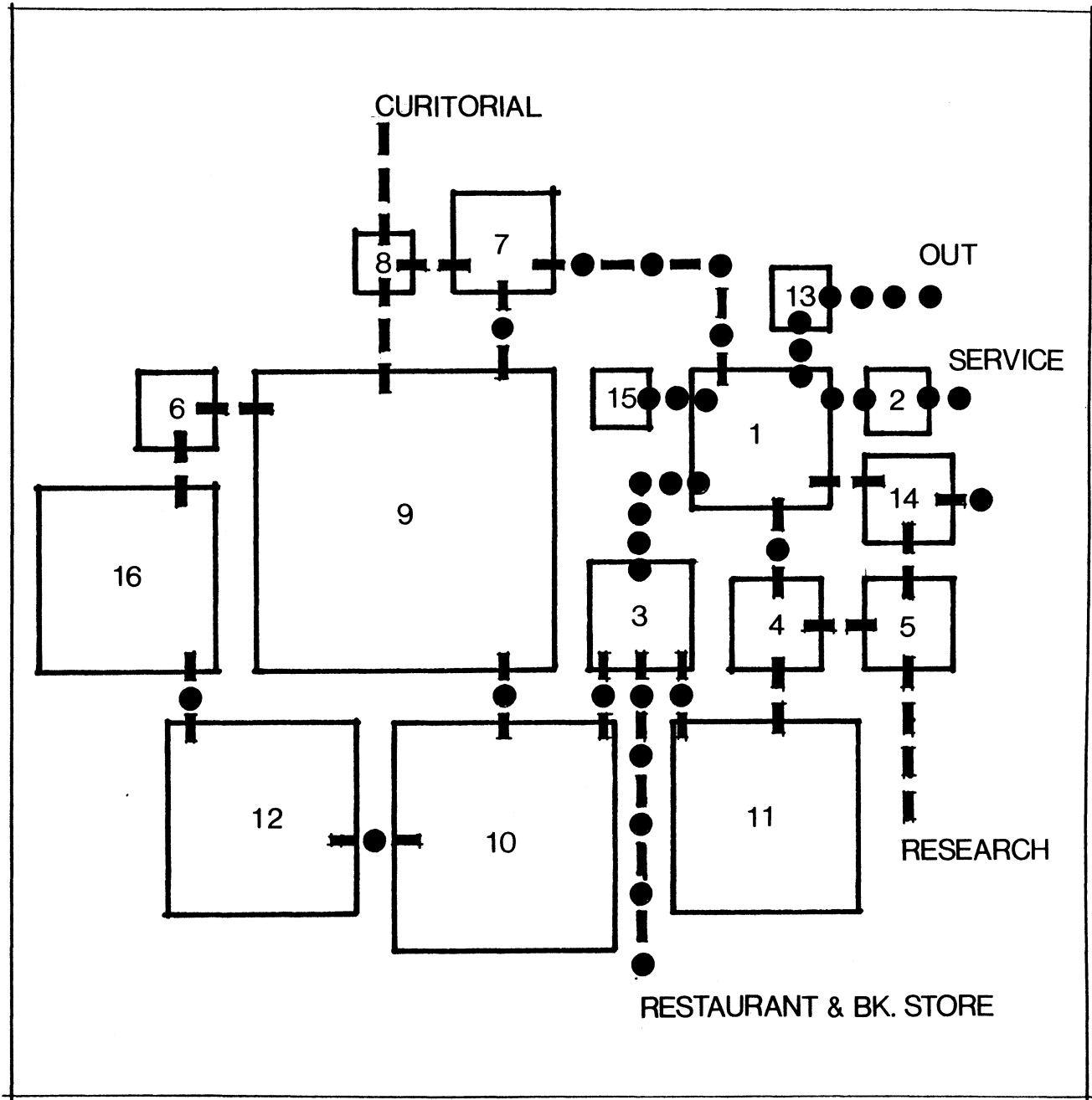
FURNITURE/EQUIP.: SLOP SINK, SHELVING

OPERATIONS

F OPERATIONS

F 1.1	SHIPPING/RECEIVING	450
F 1.2	RECEIVING OFFICE	250
F 2	LOADING DOCK	150
F 3	TEMPORARY STORAGE	650
F 4	OPERATIONAL OFFICES (TWO)	400
F 5	DIVER'S LOCKERS	400
F 6	MONITORS OFFICE	350
F 7	DRY CHEMICAL STORAGE	500
F 8	WATER QUALITY LAB	250
F 9	WATER PLANT	9500
F 10	MAINTENANCE ROOM	1500
F 11	WORKSHOP/DISPLAY ROOM	900
F 12.1	GENERATOR ROOM	750
F 12.2	FUEL STORAGE	400
F 13	TRASH	100
F 14	GARAGE	600
F 15	JANITORIAL ROOM	100
F 16	MECHANICAL ROOM	6700
		23950

FUNCTIONAL RELATIONSHIP DIAGRAM



LEGEND

PUBLIC	====
STAFF	====
SERVICE
STAFF/SERVICE	—●—
BUSINESS	—+—

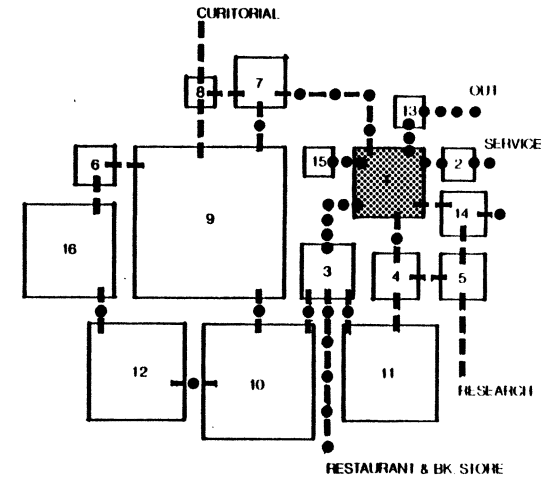
**F1.1
SHIPPING /
RECEIVING**

USER: OPERATIONAL, CURATORIAL STAFF

FUNCTION:
 • PROVIDE AN AREA IN WHICH THE INCOMING SUPPLIES FOR DIFFERENT DEPARTMENTS ARE CONTROLLED, INVENTORIED AND DIRECTED TO THE PROPER DEPARTMENT OR PLACED IN THE TEMPORARY STORAGE.

SPECIAL CONSIDERATIONS:
 • LARGE OPEN SPACE FOR MOVABLE CARTS AND POSSIBLE HYDROLIC LIFTS TO BE OPERATED.
 • OVERHEAD HOIST

BUBBLE DIAGRAM



- 11 SHIPPING / RECEIVING
- 12 RECEIVING OFFICE
- 2 LOADING DOCK
- 3 TEMPORARY STORAGE
- 4 OPERATIONAL OFFICES
- 5 DIVER'S LOCKERS
- 6 MONITOR OFFICE
- 7 DRY CHEMICAL STORAGE
- 8 WATER QUALITY LAB
- 9 WATER PLANT
- 10 MAINTENANCE ROOM
- 11 WORKSHOP / DISPLAY ROOM
- 12.1 GENERATOR ROOM
- 12.2 FUEL STORAGE
- 13 TRASH
- 14 GARAGE
- 15 JANITORIAL ROOM
- 16 MECHANICAL ROOM

AREA: 450 SF

HEIGHT: 10-12 FT

FINISHES IMAGE: CONTROLLED, SECURE **CEILING:** EXPOSED

FLOOR: HARD- CONC. **WALLS:** HARD- PAINT

SYSTEMS HVAC: MULTI ZONE- LOW VEL **PLUMBING:** NONE

LIGHTING: AMBIENT

FURNITURE / EQUIP.: OVERHEAD HOIST, MOVABLE CARTS, LARGE OVERHEAD DOOR

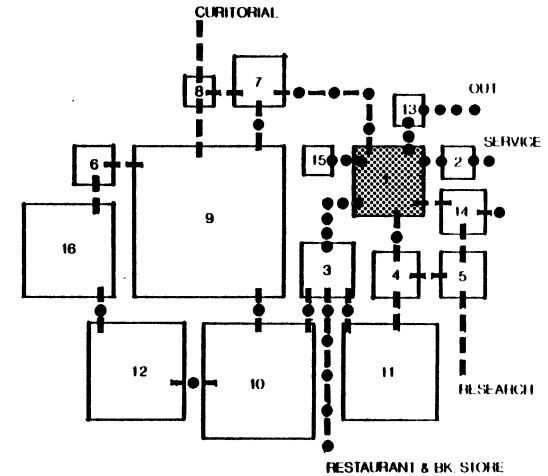
**F1.2
RECEIVING
OFFICE**

USER: OPERATIONAL STAFF

FUNCTION:
 •PROVIDE AN AREA WHERE THE PAPER WORK OF RECORDING AND PROCESSING THE INCOMING AND OUTGOING SUPPLIES ARE DONE.

SPECIAL CONSIDERATIONS:
 •VISUAL ACCESS MUST BE MAINTAINED BETWEEN THE LOADING DOCK AND THE RECEIVING OFFICE.

BUBBLE DIAGRAM



- 1.1 SHIPPING / RECEIVING
- 1.2 RECEIVING OFFICE
- 2 LOADING DOCK
- 3 TEMPORARY STORAGE
- 4 OPERATIONAL OFFICES
- 5 DIVER'S LOCKERS
- 6 MONITOR OFFICE
- 7 DRY CHEMICAL STORAGE
- 8 WATER QUALITY LAB
- 9 WATER PLANT
- 10 MAINTENANCE ROOM
- 11 WORKSHOP/DISPLAY ROOM
- 12.1 GENERATOR ROOM
- 12.2 FUEL STORAGE
- 13 TRASH
- 14 GARAGE
- 15 JANITORIAL ROOM
- 16 MECHANICAL ROOM

AREA: 250 SF

HEIGHT: 8-10 FT

FINISHES IMAGE: PRIVATE, AUTHORITATIVE **CEILING:** ACOUSTIC TILE

FLOOR: HARD- TILE **WALLS:** HARD- PAINT/GLASS

SYSTEMS HVAC: MULTI ZONE- LOW VEL **PLUMBING:** NONE

LIGHTING: AMBIENT, TASK

FURNITURE /EQUIP.: OFFICE FURNITURE FOR ONE, LARGE FILES

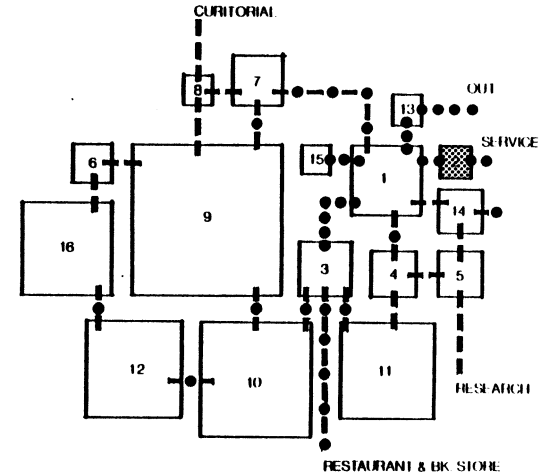
**F2
LOADING
DOCK**

USER: OPERATIONAL STAFF

FUNCTION:
 • TO ADAPT TO DIFFERENT SIZED TRUCKS TO EASE THE DELIVERY OF INCOMING AND OUTGOING GOODS AND SUPPLIES.

SPECIAL CONSIDERATIONS:
 • ADJUSTABLE RAMP/HYDROLIC LIFT

BUBBLE DIAGRAM



- 11 SHIPPING / RECEIVING
- 12 RECEIVING OFFICE
- 2 LOADING DOCK
- 3 TEMPORARY STORAGE
- 4 OPERATIONAL OFFICES
- 5 DIVER'S LOCKERS
- 6 MONITOR OFFICE
- 7 DRY CHEMICAL STORAGE
- 8 WATER QUALITY LAB
- 9 WATER PLANT
- 10 MAINTENANCE ROOM
- 11 WORKSHOP/DISPLAY ROOM
- 12.1 GENERATOR ROOM
- 12.2 FUEL STORAGE
- 13 TRASH
- 14 GARAGE
- 15 JANITORIAL ROOM
- 16 MECHANICAL ROOM

AREA: 150 SF

HEIGHT: 2-4 FT

FINISHES IMAGE: FLEXIBLE

CEILING: EXPOSED

FLOOR: HARD- CONC.

WALLS: HARD- CONC/PAINT

SYSTEMS HVAC: MAY NOT BE REQUIRED **PLUMBING:** NONE

LIGHTING: AMBIENT

FURNITURE / EQUIP.: ADJUSTABLE LIFT- LOADING DOCK

F3 TEMPORARY STORAGE

USER: OPERATIONAL STAFF

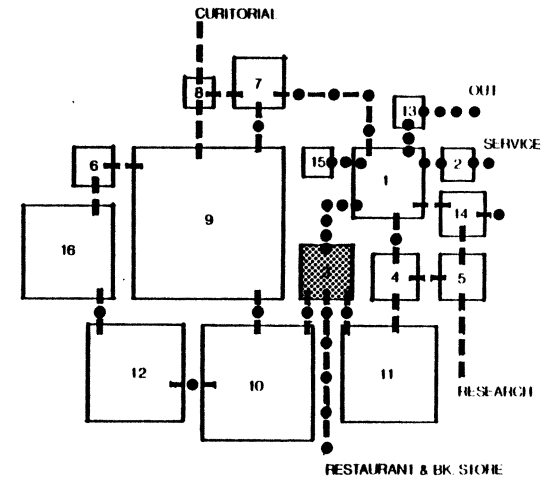
FUNCTION:

- TO PROVIDE AN AREA TO STORE INCOMING SUPPLIES TEMPORARILY UNTIL THE RESPECTIVE DEPARTMENTS CAN PICK UP THE SUPPLIES.

SPECIAL CONSIDERATIONS:

- FLEXIBLE SHELVING
- STEEL OVERHEAD DOOR

BUBBLE DIAGRAM



- 11 SHIPPING / RECEIVING
- 12 RECEIVING OFFICE
- 2 LOADING DOCK
- 3 TEMPORARY STORAGE
- 4 OPERATIONAL OFFICES
- 5 DIVER'S LOCKERS
- 6 MONITOR OFFICE
- 7 DRY CHEMICAL STORAGE
- 8 WATER QUALITY LAB
- 9 WATER PLANT
- 10 MAINTENANCE ROOM
- 11 WORKSHOP / DISPLAY ROOM
- 12.1 GENERATOR ROOM
- 12.2 FUEL STORAGE
- 13 TRASH
- 14 GARAGE
- 15 JANITORIAL ROOM
- 16 MECHANICAL ROOM

AREA: 650 SF

HEIGHT: 10-12 FT

FINISHES IMAGE: NONE

CEILING: EXPOSED

FLOOR: HARD- CONC

WALLS: HARD- PAINT

SYSTEMS HVAC: MULTI ZONE- LOW VEL **PLUMBING:** NONE

LIGHTING: AMBIENT

FURNITURE/EQUIP.: STEEL SHELVING, MOVABLE CARTS, LARGE OVERHEAD DOOR

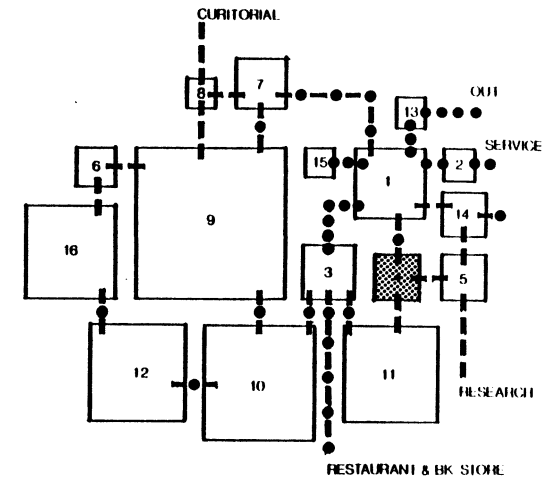
F4 OPERATIONAL OFFICES

USER: OPERATIONAL STAFF

FUNCTION:
 •TO PROVIDE OFFICE SPACE FOR THE OPERATIONAL STAFF, INCLUDING THE ENGINEER AND MAINTENANCE PERSONEL.

SPECIAL CONSIDERATIONS:

BUBBLE DIAGRAM



- 1.1 SHIPPING / RECEIVING
- 1.2 RECEIVING OFFICE
- 2. LOADING DOCK
- 3. TEMPORARY STORAGE
- 4. OPERATIONAL OFFICES
- 5. DIVER'S LOCKERS
- 6. MONITOR OFFICE
- 7. DRY CHEMICAL STORAGE
- 8. WATER QUALITY LAB
- 9. WATER PLANT
- 10. MAINTENANCE ROOM
- 11. WORKSHOP / DISPLAY ROOM
- 12.1 GENERATOR ROOM
- 12.2 FUEL STORAGE
- 13. TRASH
- 14. GARAGE
- 15. JANITORIAL ROOM
- 16. MECHANICAL ROOM

AREA: 400 SF (200 SF EACH)

HEIGHT: 8-10 FT

FINISHES IMAGE: PRIVATE, RELAXED **CEILING:** ACOUSTIC TILE

FLOOR: HARD- TILE **WALLS:** HARD- PAINT

SYSTEMS HVAC: MULTI ZONE- LOW VEL **PLUMBING:** NONE

LIGHTING: AMBIENT, TASK

FURNITURE / EQUIP.: OFFICE FURNITURE FOR ONE PERSON (EACH)

**F5
DIVER'S
LOCKERS**

USER: RESEARCH STAFF, DIVERS

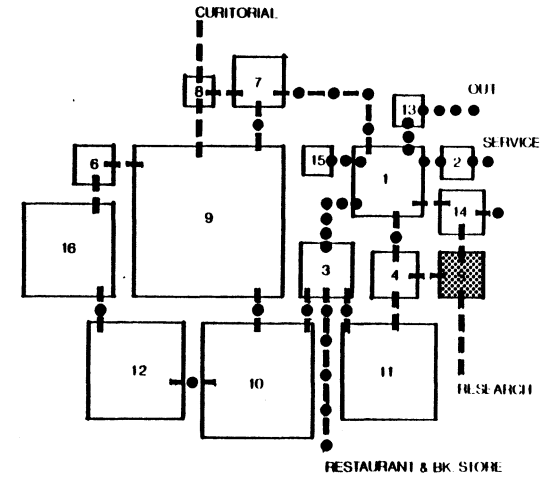
FUNCTION:

- TO PROVIDE AN AREA WITH LOCKERS FOR DIVERS TO STORE THEIR DIVING GEAR AND PERSONAL ITEMS, SHOWER AND CHANGE THEIR GEAR.

SPECIAL CONSIDERATIONS:

- SMALL SHOWER AND TOILET FACILITIES
- SMALL DRESSING ROOMS
- SMALL LOCKERS FOR PERSONAL ITEMS.
- LARGE LOCKERS FOR DIVING GEAR.

BUBBLE DIAGRAM



- 1.1 SHIPPING / RECEIVING
- 1.2 RECEIVING OFFICE
- 2 LOADING DOCK
- 3 TEMPORARY STORAGE
- 4 OPERATIONAL OFFICES
- 5 DIVER'S LOCKERS
- 6 MONITOR OFFICE
- 7 DRY CHEMICAL STORAGE
- 8 WATER QUALITY LAB
- 9 WATER PLANT
- 10 MAINTENANCE ROOM
- 11 WORKSHOP/DISPLAY ROOM
- 12.1 GENERATOR ROOM
- 12.2 FUEL STORAGE
- 13 TRASH
- 14 GARAGE
- 15 JANITORIAL ROOM
- 16 MECHANICAL ROOM

AREA: 400 SF

HEIGHT: 8-10 FT

FINISHES IMAGE: PRIVATE

CEILING: HARD- PAINT

FLOOR: HARD- TILE

WALLS: HARD- TILE

SYSTEMS HVAC: MULTI ZONE- LOW VEL **PLUMBING:** FLOOR DRAINS, SHOWER, SINKS

LIGHTING: AMBIENT

FURNITURE/EQUIP.: SMALL LOCKERS, LARGE RACKS, LOCKABLE STORAGE CABNETS, SHOWER FACILITIES, SETTING BENCHES, DRESSING ROOMS

F6 MONITOR OFFICE

USER: OPERATIONAL, CURATORIAL
STAFF

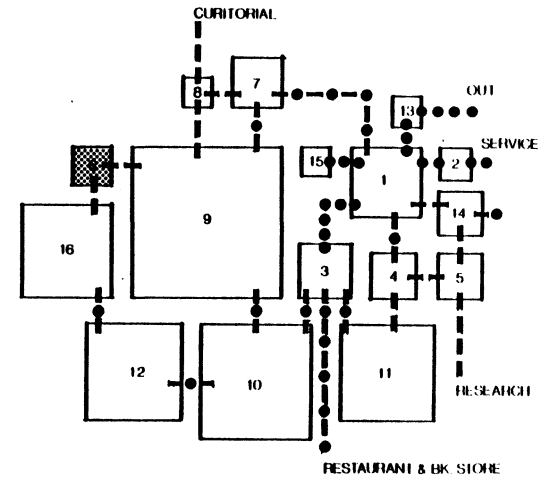
FUNCTION:

- PROVIDE AN AREA TO ELECTRONICALLY MONITOR THE WATER PLANT AND EXHIBITS CONCERNING THE PRESSURE, TEMPERATURE, FLOWS, PH, ETC.

SPECIAL CONSIDERATIONS:

- EASILY ACCESSIBLE AND LEGIBLE MONITORS.
- ALL ELECTRONICS AND PLUMBING SHOULD BE EASILY ACCESSIBLE FOR MAINTENANCE.

BUBBLE DIAGRAM



- 1.1 SHIPPING / RECEIVING
- 1.2 RECEIVING OFFICE
- 2 LOADING DOCK
- 3 TEMPORARY STORAGE
- 4 OPERATIONAL OFFICES
- 5 DIVER'S LOCKERS
- 6 MONITOR OFFICE
- 7 DRY CHEMICAL STORAGE
- 8 WATER QUALITY LAB
- 9 WATER PLANT
- 10 MAINTENANCE ROOM
- 11 WORKSHOP/DISPLAY ROOM
- 12.1 GENERATOR ROOM
- 12.2 FUEL STORAGE
- 13 TRASH
- 14 GARAGE
- 15 JANITORIAL ROOM
- 16 MECHANICAL ROOM

AREA: 350 SF

HEIGHT: 8-10 FT

FINISHES IMAGE: PRIVATE, CONTROLLED **CEILING:** ACOUSTIC TILE

FLOOR: HARD- TILE **WALLS:** HARD- PAINT

SYSTEMS HVAC: MULTI ZONE- LOW VEL **PLUMBING:** NONE

LIGHTING: AMBIENT

FURNITURE / EQUIP.: MONITORING EQUIPMENT, OFFICE FURNITURE FOR ONE,
FILES

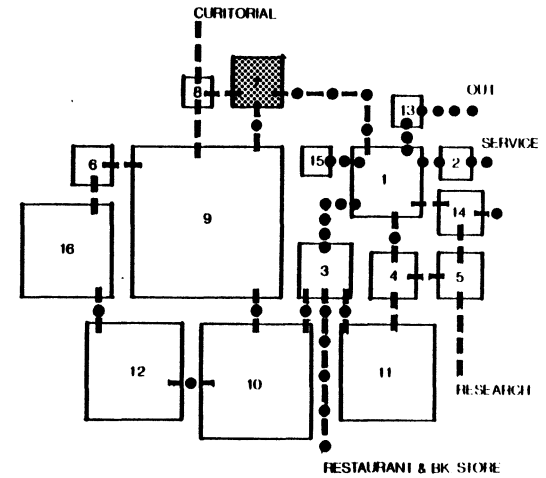
**F7
DRY
CHEMICAL
STORAGE**

USER: OPERATIONAL, CURITORIAL
STAFF

FUNCTION:
 • TO PROVIDE AN AREA TO STORE
 DRY CHEMICALS USED TO
 SYNTHESIZE SALTWATER.

SPECIAL CONSIDERATIONS:
 • MUST BE ABLE TO MAINTAIN
 CERTAIN TEMPERATURE
 CONTROL OF AIR WITHIN THIS
 SPACE.
 • DIRECT CONNECTION WITH
 ADEQUATE CIRCULATION TO
 WATER PLANT.

BUBBLE DIAGRAM



- 11 SHIPPING / RECEIVING
- 12 RECEIVING OFFICE
- 2 LOADING DOCK
- 3 TEMPORARY STORAGE
- 4 OPERATIONAL OFFICES
- 5 DIVER'S LOCKERS
- 6 MONITOR OFFICE
- 7 DRY CHEMICAL STORAGE
- 8 WATER QUALITY LAB
- 9 WATER PLANT
- 10 MAINTENANCE ROOM
- 11 WORKSHOP / DISPLAY ROOM
- 12.1 GENERATOR ROOM
- 12.2 FUEL STORAGE
- 13 TRASH
- 14 GARAGE
- 15 JANITORIAL ROOM
- 16 MECHANICAL ROOM

AREA: 500 SF

HEIGHT: 10-12 FT

FINISHES IMAGE: NONE

CEILING: HARD- PAINT

FLOOR: HARD- CONC.

WALLS: HARD- VINYL

SYSTEMS HVAC: SPECIAL TEMPERATURE CONTROL
PLUMBING: NONE

LIGHTING: AMBIENT

FURNITURE / EQUIP.: LARGE MOVABLE CARTS, OVERHEAD HOIST

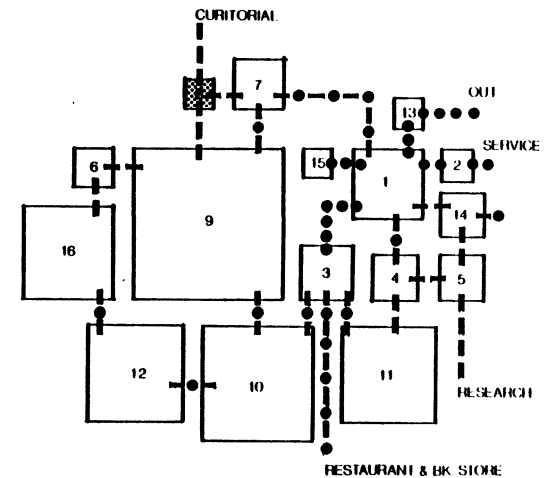
**F8
WATER
QUALITY
LAB**

USER: OPERATIONAL, CURATORIAL
STAFF

FUNCTION:
 •PROVIDE AN AREA TO PHYSICAL-
 LY TEST THE QUALITY OF THE
 WATER, AND TO CALIBRATE
 THE MONITORING EQUIPMENT.

SPECIAL CONSIDERATIONS:
 •ADEQUATE CIRCULATION AND
 ACCESS TO THE WATER PLANT.

BUBBLE DIAGRAM



- 1.1 SHIPPING / RECEIVING
- 1.2 RECEIVING OFFICE
- 2 LOADING DOCK
- 3 TEMPORARY STORAGE
- 4 OPERATIONAL OFFICES
- 5 DIVER'S LOCKERS
- 6 MONITOR OFFICE
- 7 DRY CHEMICAL STORAGE
- 8 WATER QUALITY LAB
- 9 WATER PLANT
- 10 MAINTENANCE ROOM
- 11 WORKSHOP/DISPLAY ROOM
- 12.1 GENERATOR ROOM
- 12.2 FUEL STORAGE
- 13 TRASH
- 14 GARAGE
- 15 JANITORIAL ROOM
- 16 MECHANICAL ROOM

AREA: 250 SF

HEIGHT: 8-10 FT

FINISHES IMAGE: PRIVATE, CLEAN

CEILING: HARD- GYP. BD.

FLOOR: HARD- TILE

WALLS: HARD- TILE

SYSTEMS HVAC: MULTI ZONE- LOW VEL

PLUMBING: FLOOR DRAINS AND
 PLUMBING ACCESS

LIGHTING: AMBIENT

FURNITURE/EQUIP.: LAB TABLES, SINK

F9 WATER PLANT

USER: OPERATIONAL, CURATORIAL STAFF

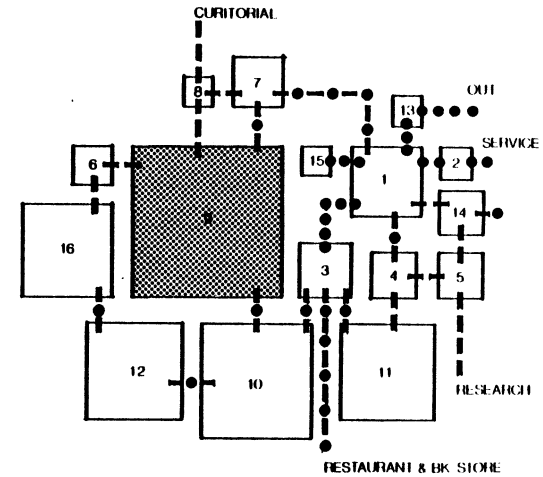
FUNCTION:

- PROVIDE AN AREA TO SUPPLY, FILTER AND MIX ALL WATER REQUIREMENTS OF THE EXHIBITS.

SPECIAL CONSIDERATIONS:

- EXTERNAL WATER DELUGE THRU LARGE PIPES TO SURROUNDING SEWAGE LINE.
- EASY ACCESSIBILITY TO ALL PLUMBING IN THIS AREA.

BUBBLE DIAGRAM



- 1.1 SHIPPING / RECEIVING
- 1.2 RECEIVING OFFICE
- 2 LOADING DOCK
- 3 TEMPORARY STORAGE
- 4 OPERATIONAL OFFICES
- 5 DIVER'S LOCKERS
- 6 MONITOR OFFICE
- 7 DRY CHEMICAL STORAGE
- 8 WATER QUALITY LAB
- 9 WATER PLANT
- 10 MAINTENANCE ROOM
- 11 WORKSHOP/DISPLAY ROOM
- 12.1 GENERATOR ROOM
- 12.2 FUEL STORAGE
- 13 TRASH
- 14 GARAGE
- 15 JANITORIAL ROOM
- 16 MECHANICAL ROOM

AREA: 9,500 SF

HEIGHT: 12-15 FT

FINISHES IMAGE: ORGANIZED, CONTROLLED **CEILING:** EXPOSED

FLOOR: HARD- CONC. **WALLS:** HARD- TILE

SYSTEMS HVAC: MULTI ZONE- LOW VEL **PLUMBING:** FLOOR DRAINS AND PLUMBING ACCESS

LIGHTING: AMBIENT

FURNITURE/EQUIP.: FILTERS, AIRLIFT PUMPS, PLUMBING CONTROL VALVES, MONITORING EQUIPMENT, LARGE STORAGE TANKS, OVER-HEAD HOISTS

F10 MAINTENANCE ROOM

USER: OPERATIONAL STAFF

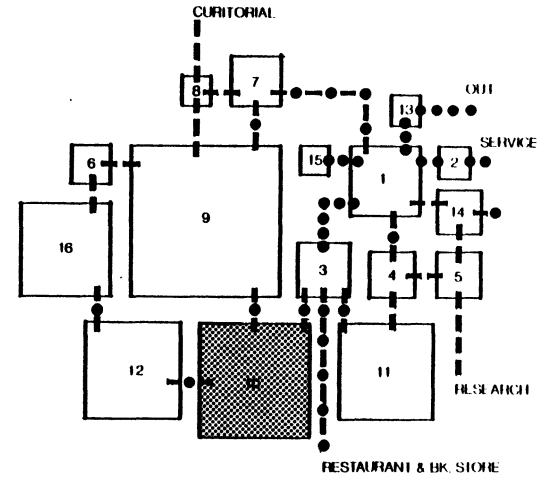
FUNCTION:

- PROVIDE AN AREA FOR GENERAL REPAIRS AND MAINTENANCE FOR THE COMPLEX AS A WHOLE.
- PLUMBING AND BUILDING MAINTENANCE.

SPECIAL CONSIDERATIONS:

- NOISE CONSIDERATIONS MUST BE ADDRESSED.
- SUPPLY STORAGE CLOSET IS 150 SF.

BUBBLE DIAGRAM



- 11 SHIPPING / RECEIVING
- 12 RECEIVING OFFICE
- 2 LOADING DOCK
- 3 TEMPORARY STORAGE
- 4 OPERATIONAL OFFICES
- 5 DIVER'S LOCKERS
- 6 MONITOR OFFICE
- 7 DRY CHEMICAL STORAGE
- 8 WATER QUALITY LAB
- 9 WATER PLANT
- 10 MAINTENANCE ROOM
- 11 WORKSHOP / DISPLAY ROOM
- 12.1 GENERATOR ROOM
- 12.2 FUEL STORAGE
- 13 TRASH
- 14 GARAGE
- 15 JANITORIAL ROOM
- 16 MECHANICAL ROOM

AREA: 1,500 SF

HEIGHT: 8-10 FT

FINISHES IMAGE: ORGANIZED

CEILING: EXPOSED

FLOOR: HARD- CONC

WALLS: HARD- PAINT

SYSTEMS HVAC: MULTI ZONE- LOW VEL **PLUMBING:** FLOOR DRAINS

LIGHTING: AMBIENT

FURNITURE / EQUIP.: OVERHEAD HOIST, TOOL CABNETS, OVERHEAD DOOR, WORK BENCHES, LARGE PLUMBING AND MECHANICAL POWER TOOLS, SUPPLY STORAGE CLOSET

**F11
WORKSHOP/
DISPLAY
ROOM**

USER: OPERATIONAL, CURITORIAL
STAFF

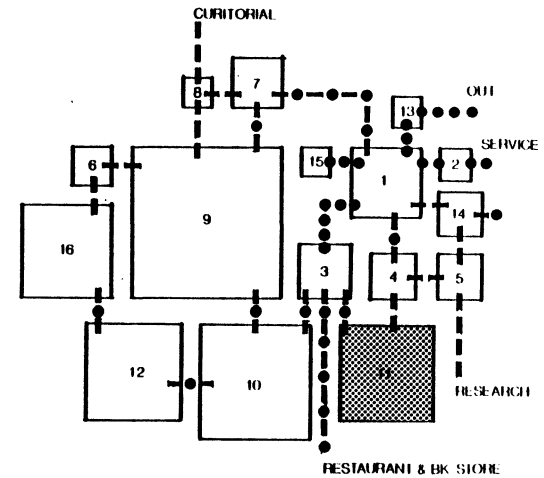
FUNCTION:

- PROVIDE AN AREA TO REPAIR, MAINTAIN AND BUILD THE INTERNAL ENVIRONMENT OF THE EXHIBITS. EX. THE CONSTRUCTION OF AN ARTIFICIAL CORAL REEF.

SPECIAL CONSIDERATIONS:

- STORAGE AREA FOR ROCKS, CASTS AND MATERIALS TO MAKE ARTIFICIAL ENVIRONMENTS, 150 SF.

BUBBLE DIAGRAM



- 11 SHIPPING / RECEIVING
- 12 RECEIVING OFFICE
- 2 LOADING DOCK
- 3 TEMPORARY STORAGE
- 4 OPERATIONAL OFFICES
- 5 DIVER'S LOCKERS
- 6 MONITOR OFFICE
- 7 DRY CHEMICAL STORAGE
- 8 WATER QUALITY LAB
- 9 WATER PLANT
- 10 MAINTENANCE ROOM
- 11 WORKSHOP / DISPLAY ROOM
- 12.1 GENERATOR ROOM
- 12.2 FUEL STORAGE
- 13 TRASH
- 14 GARAGE
- 15 JANITORIAL ROOM
- 16 MECHANICAL ROOM

AREA: 900 SF

HEIGHT: 10-12 FT

FINISHES IMAGE: FLEXIBLE

CEILING: HARD- GYP. BD.

FLOOR: HARD- CONC

WALLS: HARD- PAINT

SYSTEMS HVAC: MULTI ZONE- LOW VEL **PLUMBING:** LARGE SINKS AND FLOOR DRAINS

LIGHTING: AMBIENT

FURNITURE / EQUIP.: TOOL CABNETS, WORK BENCHES, POWER TOOLS, OVERHEAD HOIST AND DOOR

12.1 GENERATOR ROOM

USER: OPERATIONAL, CURITORIAL
STAFF

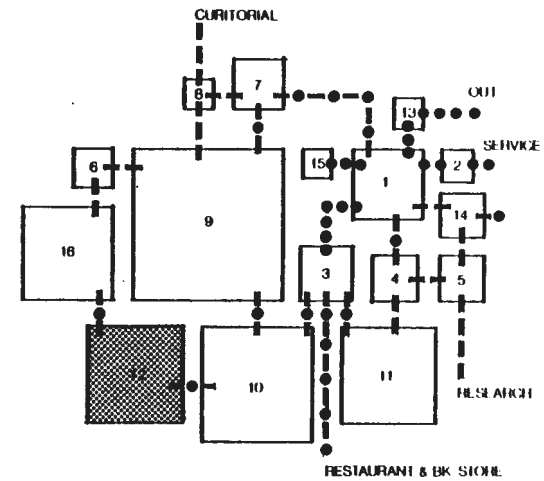
FUNCTION:

- PROVIDE AN AREA FOR THE EMERGENCY GENERATOR WHICH WOULD SUPPLY THE FACILITY OF ALL ITS NEEDS IN CASE OF A BLACK-OUT.

SPECIAL CONSIDERATIONS:

- SPECIAL CONSIDERATIONS TO NOISE AND PROTECTION FROM TROPICAL STORMS, SHOULD BE BE CONSIDERED VERY IMPORTANT.
- PROPER VENTILATION IS REQUIRED.

BUBBLE DIAGRAM



- 11 SHIPPING / RECEIVING
- 12 RECEIVING OFFICE
- 2 LOADING DOCK
- 3 TEMPORARY STORAGE
- 4 OPERATIONAL OFFICES
- 5 DIVER'S LOCKERS
- 6 MONITOR OFFICE
- 7 DRY CHEMICAL STORAGE
- 8 WATER QUALITY LAB
- 9 WATER PLANT
- 10 MAINTENANCE ROOM
- 11 WORKSHOP/DISPLAY ROOM
- 12.1 GENERATOR ROOM
- 12.2 FUEL STORAGE
- 13 TRASH
- 14 GARAGE
- 15 JANITORIAL ROOM
- 16 MECHANICAL ROOM

AREA: 750 SF

HEIGHT: 10-12 FT

FINISHES IMAGE: QUIET

CEILING: EXPOSED

FLOOR: HARD- CONC.

WALLS: ACOUSTICALLY CONTROLLED

SYSTEMS HVAC: MULTI ZONE- LOW VEL
SEPERATE RETURN

PLUMBING: FLOOR DRAINS

LIGHTING: AMBIENT

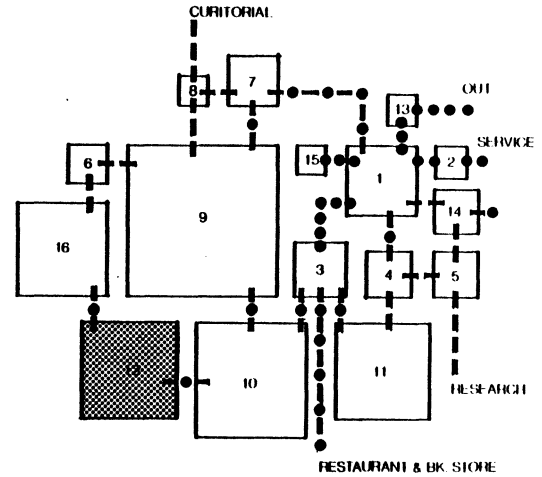
FURNITURE/EQUIP.: EMERGENCY GENERATOR AND SMALL CLOSETS FOR SPARE PARTS

**F12.2
FUEL
STORAGE**

USER: OPERATIONAL, CURITORIAL STAFF
FUNCTION:
 •PROVIDE AN AREA FOR THE STORAGE OF PROPANE FOR THE EMERGENCY GENERATOR AND PETROLIUM DISTILATES FOR OTHER VEHICLES.

SPECIAL CONSIDERATIONS:
 •VENTILATION AND FIRE SAFETY MUST BE MAINTAINED AT ALL TIMES.

BUBBLE DIAGRAM



- 11 SHIPPING /RECEIVING
- 12 RECEIVING OFFICE
- 2 LOADING DOCK
- 3 TEMPORARY STORAGE
- 4 OPERATIONAL OFFICES
- 5 DIVER'S LOCKERS
- 6 MONITOR OFFICE
- 7 DRY CHEMICAL STORAGE
- 8 WATER QUALITY LAB
- 9 WATER PLANT
- 10 MAINTENANCE ROOM
- 11 WORKSHOP/DISPLAY ROOM
- 12.1 GENERATOR ROOM
- 12.2 FUEL STORAGE
- 13 TRASH
- 14 GARAGE
- 15 JANITORIAL ROOM
- 16 MECHANICAL ROOM

AREA: 400 SF

HEIGHT: 8-10 FT

FINISHES IMAGE: FIRE SAFE

CEILING: HARD- GYP. BD

FLOOR: HARD- CONC.

WALLS: HARD- FIRE PROOF

SYSTEMS HVAC: MULTI ZONE- LOW VEL **PLUMBING:** FLOOR DRAINS

LIGHTING: AMBIENT

FURNITURE /EQUIP.: FUEL STORAGE TANKS, PUMPS, FILTERS, MOVABLE CARTS, FIRE SAFTEY EQUIPMENT

**F13
TRASH**

USER: OPERATIONAL STAFF

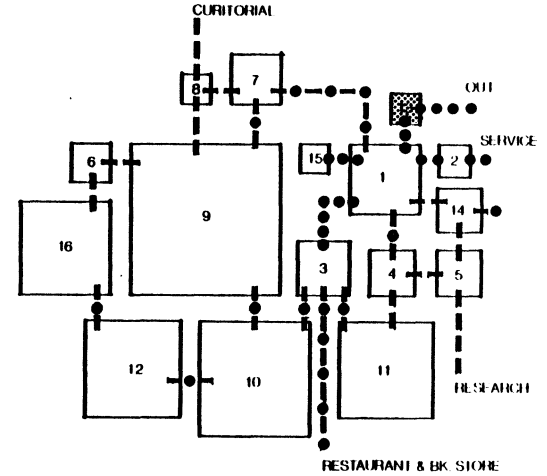
FUNCTION:

- PROVIDE AN AREA FOR TEMPORARY STORAGE OF WASTE UNTIL THE PUBLIC SANITATION DEPARTMENT PICKS IT UP.

SPECIAL CONSIDERATIONS:

- SIGHT, SMELL AND ACCESSIBILITY OF THE WASTE MUST BE CONSIDERED.
- MAY BE LOCATED ENTIRELY OUTSIDE OR INSIDE.

BUBBLE DIAGRAM



- 11 SHIPPING / RECEIVING
- 12 RECEIVING OFFICE
- 2 LOADING DOCK
- 3 TEMPORARY STORAGE
- 4 OPERATIONAL OFFICES
- 5 DIVER'S LOCKERS
- 6 MONITOR OFFICE
- 7 DRY CHEMICAL STORAGE
- 8 WATER QUALITY LAB
- 9 WATER PLANT
- 10 MAINTENANCE ROOM
- 11 WORKSHOP/DISPLAY ROOM
- 12.1 GENERATOR ROOM
- 12.2 FUEL STORAGE
- 13 TRASH
- 14 GARAGE
- 15 JANITORIAL ROOM
- 16 MECHANICAL ROOM

AREA: 100 SF

HEIGHT: 8-10 FT

FINISHES IMAGE: CLEAN

CEILING: HARD- PAINT

FLOOR: HARD- CONC.

WALLS: HARD- PAINT

SYSTEMS HVAC: MAY NOT BE REQUIRED
NATURAL VENTILATION

PLUMBING: FLOOR DRAINS

LIGHTING: AMBIENT

FURNITURE /EQUIP.: TRASH CONTAINERS

F14 GARAGE

USER: OPERATIONAL, CURATORIAL
STAFF

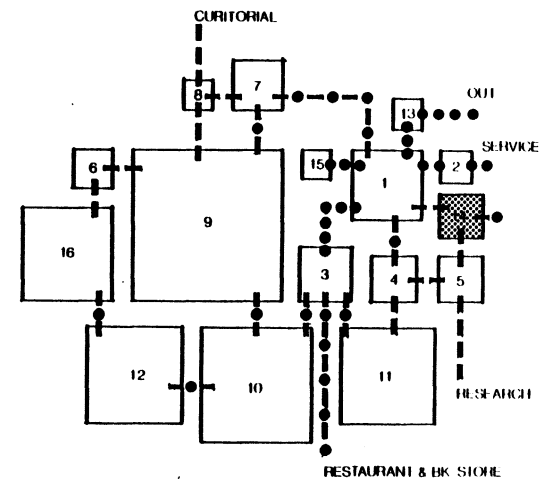
FUNCTION:

- PROVIDE AN AREA FOR THE STORAGE OF ONE AQUARIUM VEHICLE AND ONE SMALL MOTORIZED BOAT.

SPECIAL CONSIDERATIONS:

- EASY ACCESS TO BOAT RAMP/
DOCK AND STAFF PARKING
LOT.
- OVERHEAD HOIST AND DOOR.

BUBBLE DIAGRAM



- 11 SHIPPING / RECEIVING
- 12 RECEIVING OFFICE
- 2 LOADING DOCK
- 3 TEMPORARY STORAGE
- 4 OPERATIONAL OFFICES
- 5 DIVER'S LOCKERS
- 6 MONITOR OFFICE
- 7 DRY CHEMICAL STORAGE
- 8 WATER QUALITY LAB
- 9 WATER PLANT
- 10 MAINTENANCE ROOM
- 11 WORKSHOP/DISPLAY ROOM
- 12.1 GENERATOR ROOM
- 12.2 FUEL STORAGE
- 13 TRASH
- 14 GARAGE
- 15 JANITORIAL ROOM
- 16 MECHANICAL ROOM

AREA: 600 SF

HEIGHT: 10-12 FT

FINISHES IMAGE: UTILITARIAN

CEILING: EXPOSED

FLOOR: HARD- CONC.

WALLS: HARD- PAINT

SYSTEMS HVAC: MAY NOT BE REQUIRED
NATURAL VENTILATION

PLUMBING: FLOOR DRAINS

LIGHTING: AMBIENT, DAYLIGHT

FURNITURE/EQUIP.: SMALL ENGINE HOIST, OVERHEAD DOOR

F15 JANITORIAL ROOM

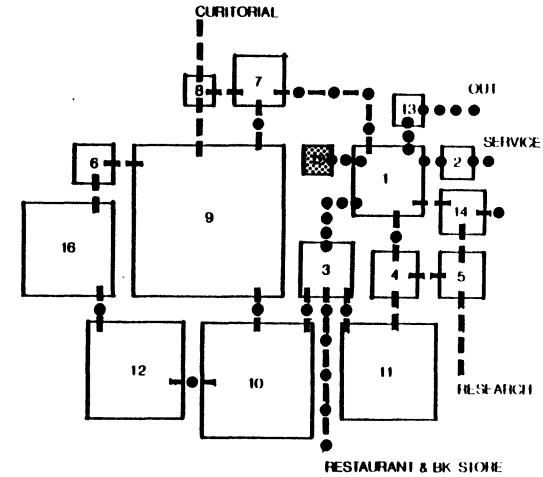
USER: OPERATIONAL STAFF, JANITORS

FUNCTION:

- PROVIDE AN AREA FOR THE STORAGE OF JANITORIAL SUPPLIES AND CLEANING EQUIPMENT FOR THE OPERATIONS DEPARTMENT.

SPECIAL CONSIDERATIONS:

BUBBLE DIAGRAM



- 11 SHIPPING / RECEIVING
- 12 RECEIVING OFFICE
- 2 LOADING DOCK
- 3 TEMPORARY STORAGE
- 4 OPERATIONAL OFFICES
- 5 DIVER'S LOCKERS
- 6 MONITOR OFFICE
- 7 DRY CHEMICAL STORAGE
- 8 WATER QUALITY LAB
- 9 WATER PLANT
- 10 MAINTENANCE ROOM
- 11 WORKSHOP/DISPLAY ROOM
- 12.1 GENERATOR ROOM
- 12.2 FUEL STORAGE
- 13 TRASH
- 14 GARAGE
- 15 JANITORIAL ROOM
- 16 MECHANICAL ROOM

AREA: 100 SF

HEIGHT: 8-10 FT

FINISHES IMAGE: NONE

CEILING: EXPOSED

FLOOR: HARD- CONC.

WALLS: HARD- PAINT

SYSTEMS HVAC: MULTI ZONE- LOW VEL **PLUMBING:** SLOP SINK AND FLOOR DRAIN

LIGHTING: AMBIENT

FURNITURE/EQUIP.: SLOP SINK, SHELVING

F 16 MECHANICAL ROOM

USER: OPERATIONAL STAFF

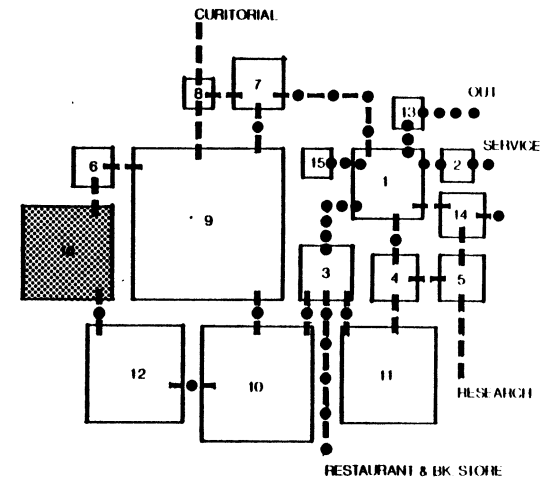
FUNCTION:

- PROVIDE AN AREA TO HOLD ALL THE NECESSARY EQUIPMENT TO SUPPORT THE AQUARIUM'S HVAC, ELECTRICAL, AND FIRE SUPPLEMENT NEEDS.

SPECIAL CONSIDERATIONS:

- VENTILATION MUST BE CONSIDERED.

BUBBLE DIAGRAM



- 1.1 SHIPPING/RECEIVING
- 1.2 RECEIVING OFFICE
- 2. LOADING DOCK
- 3. TEMPORARY STORAGE
- 4. OPERATIONAL OFFICES
- 5. DIVER'S LOCKERS
- 6. MONITOR OFFICE
- 7. DRY CHEMICAL STORAGE
- 8. WATER QUALITY LAB
- 9. WATER PLANT
- 10. MAINTENANCE ROOM
- 11. WORKSHOP/DISPLAY ROOM
- 12.1 GENERATOR ROOM
- 12.2 FUEL STORAGE
- 13. TRASH
- 14. GARAGE
- 15. JANITORIAL ROOM
- 16. MECHANICAL ROOM

AREA: 8% OF TOTAL SQUARE FOOTAGE = 6,700 SF

HEIGHT: 10-12 FT

FINISHES IMAGE: ORGANIZED **CEILING:** EXPOSED

FLOOR: HARD- CONC. **WALLS:** HARD- PAINT

SYSTEMS HVAC: MULTI ZONE- LOW VEL **PLUMBING:** FLOOR DRAINS

LIGHTING: AMBIENT

FURNITURE/EQUIP.: ALL NECESSARY EQUIPMENT FOR SUPPORT OF THIS FACILITY.

EXTERIOR REQUIREMENTS

OUTDOOR PLAZA

FLAGS

MARINE SCULTURE

LANDSCAPING

BOAT DOCKS

MINIMUM OF 150 BOATS FOR PUBLIC AND PRIVATE USE

OBSERVATION PIER

FOR INCOMING BARGE (FRESH WATER)

FOR PEDESTRIAN OBSERVATION AND FISHING

PARKING

50 STAFF CAR PARKS

4 HANDICAPPED CAR PARKS

96 PUBLIC CAR PARKS

AQUARIUM BOAT DOCK AND RAMP

LIFE SUPPORT SYSTEMS

LIFE SUPPORT SYSTEMS

SEAWATER SOURCE ALTERNATIVES

THE SEA WATER IMMEDIATELY ADJACENT TO THE SITE IS OF POOR QUALITY SO IT WOULD NOT BE A DESIRABLE SOURCE OF WATER FOR THE AQUARIUM. BETTER WATER WOULD BE OBTAINED BY RUNNING A PIPELINE FROM THE SITE SEVERAL HUNDRED YARDS OUT BEYOND THE BREAKWATER IN CORPUS CHRISTI BAY BUT THE WATER HERE ALSO IS OF VARIABLE QUALITY. SUCH A PIPELINE WOULD CONSIST OF TWO PIPES (SO THAT ONE COULD BE SERVICED WHILE THE OTHER CONTINUED TO OPERATE) TRENCHED AND BURIED BENEATH THE SUBSTRATE AND ENDING IN A CONCRETE STRUCTURE ELEVATING THE SCREENED INTAKES A FOOT OR TWO ABOVE THE BOTTOM.

A SECOND METHOD TO OBTAIN SEAWATER IS TO USE A BARGE THAT OBTAINS THE SEAWATER FROM DEEP IN THE GULF OF MEXICO AND CARRIES IT BACK TO THE AQUARIUM, WHERE THE WATER COULD BE PUMPED THROUGH A MECHANICAL FILTER DIRECTLY INTO THE RESERVOIRS. THIS MIGHT BE QUITE FEASIBLE, REQUIRING NO CAPITAL EXPENDITURE AND WOULD BE QUITE ECONOMICAL PER LOAD. GULF WATER, PARTICULARLY IF DRAWN FROM A SOURCE BEYOND THE CONTINENTAL SHELF WOULD BE OF GOOD QUALITY.

THE THIRD METHOD TO OBTAIN SEAWATER IS TO MAKE IT WITHIN THE AQUARIUM. SYNTHETIC SEAWATER IS BEING USED IN MANY

LIFE SUPPORT SYSTEMS

AQUARIUMS INCLUDING THE SHEDD AQUARIUM AND THE NATIONAL AQUARIUM IN BALTIMORE. IT IS CONSIDERED TO BE ALMOST AS GOOD, AS GOOD A QUALITY NATURAL SEAWATER FROM A LIFE-SUPPORTING POINT OF VIEW, HOWEVER IT IS EXPENSIVE TO PRODUCE BOTH FROM THE STAND POINT OF CAPITAL EQUIPMENT AND MANUFACTURE.

THE TEXAS STATE AQUARIUM WILL USE ALL THREE OPTIONS TO OBTAIN THE SEAWATER, TO MAINTAIN ITS FLEXIBILITY WITHIN ITS ENVIRONMENT, AND TO KEEP COSTS TO A MINIMUM.

WATER MANAGEMENT CONCEPT

THE TEXAS STATE AQUARIUM WILL USE A COMBINATION OF A CLOSED SYSTEM AND AN OPEN SYSTEM.

TO DEFINE A CLOSED SYSTEM IT IS ONE WHICH THE SEAWATER IS PLACED INSIDE THE SYSTEM AND THE WATER IS SELDOM, IF EVER EXCHANGED FROM THE OUTSIDE. TO DEFINE AN OPEN SYSTEM IT IS ONE IN WHICH THE SEAWATER IS PLACED INSIDE THE SYSTEM AND THE WATER IS CONSTANTLY EXCHANGED FROM THE SURROUNDING WATER OF THE OCEAN OR BAY.

THE COMBINATION OF A CLOSED SYSTEM AND AN OPEN SYSTEM WILL

LIFE SUPPORT SYSTEMS

ALLOW THE FACILITY TO USE NATURAL SEAWATER FROM THE BAY'S FLOOR WHEN THE CONDITIONS ARE GOOD, OR TO BRING IN WATER FROM THE GULF WHEN CONDITIONS ARE NOT FAVORABLE AND COSTS MUST BE KEPT TO A MINIMUM, OR EVEN TO PRODUCE THEIR OWN SEAWATER WHEN THE OTHER TWO METHODS ARE UNDESIRABLE. THIS SYSTEM ALLOWS THE AQUARIUM TO RUN VERY EFFICIENTLY AND FLEXIBLY.

SEAWATER SYSTEMS

THERE WILL BE THREE MAIN SEAWATER SYSTEMS WITHIN THE AQUARIUM: SYSTEM NUMBER ONE WILL INVOLVE THE GULF GIANT FISH TANKS AND ITS RESERVOIR. SYSTEM NUMBER TWO WILL INVOLVE THE GALLERY EXHIBIT AND RESERVE TANKS AND THEIR RESERVOIR. SYSTEM NUMBER THREE WILL CONSIST OF THE SEA TURTLE TANK SYSTEM.

SYSTEM NUMBER ONE

SEAWATER WILL BE PUMPED FROM # 3 SEAWATER RESERVOIR THROUGH THE GULF GIANT FISH TANK. THERE WILL BE AN ULTRAVIOLET STERILIZING UNIT LOCATED BETWEEN THE PUMP AND THE EXHIBIT TANK ON PARALLEL PIPING SUCH THAT IT CAN BE USED WHEN NEEDED. WITHIN THE GULF GIANT FISH TANK WILL BE A SUBSAND FILTER OPERATED BY AIR LIFTS AND CAPABLE OF RECIRCULATING THE ENTIRE TANK ON A ONE HOUR BASIS. SURFACE WATER WILL

LIFE SUPPORT SYSTEMS

INCLUDING ACTIVATED CHARCOAL. THERE WILL NOT BE A FILTER. WATER FROM SYSTEM # 3 SHOULD BE KEPT QUITE SEPARATE FROM WATERS OF SYSTEM # 1 AND # 2 AS THE SEA TURTLES PRODUCE CONSIDERABLE WASTE WHICH MIGHT BE TOXIC TO THE REST OF THE FISHES AND INVERTEBRATES.

CRUSHED CORAL OR OYSTER SHELLS SHOULD BE INCLUDED SOMEWHERE IN THE SYSTEM AS A BUFFERING AGENT TO ASSIST IN MAINTAINING ALKALINITY.

LIFE SUPPORT SYSTEMS

SKIM OFF AND PASS THROUGH A MIXED MEDIA FILTER INCLUDING ACTIVATED CHARCOAL. FROM THERE IT WILL CONTINUE THROUGH A LARGE BIOLOGICAL FILTER AND THEN INTO THE RESERVOIR FOR RETURN TO THE EXHIBIT TANK.

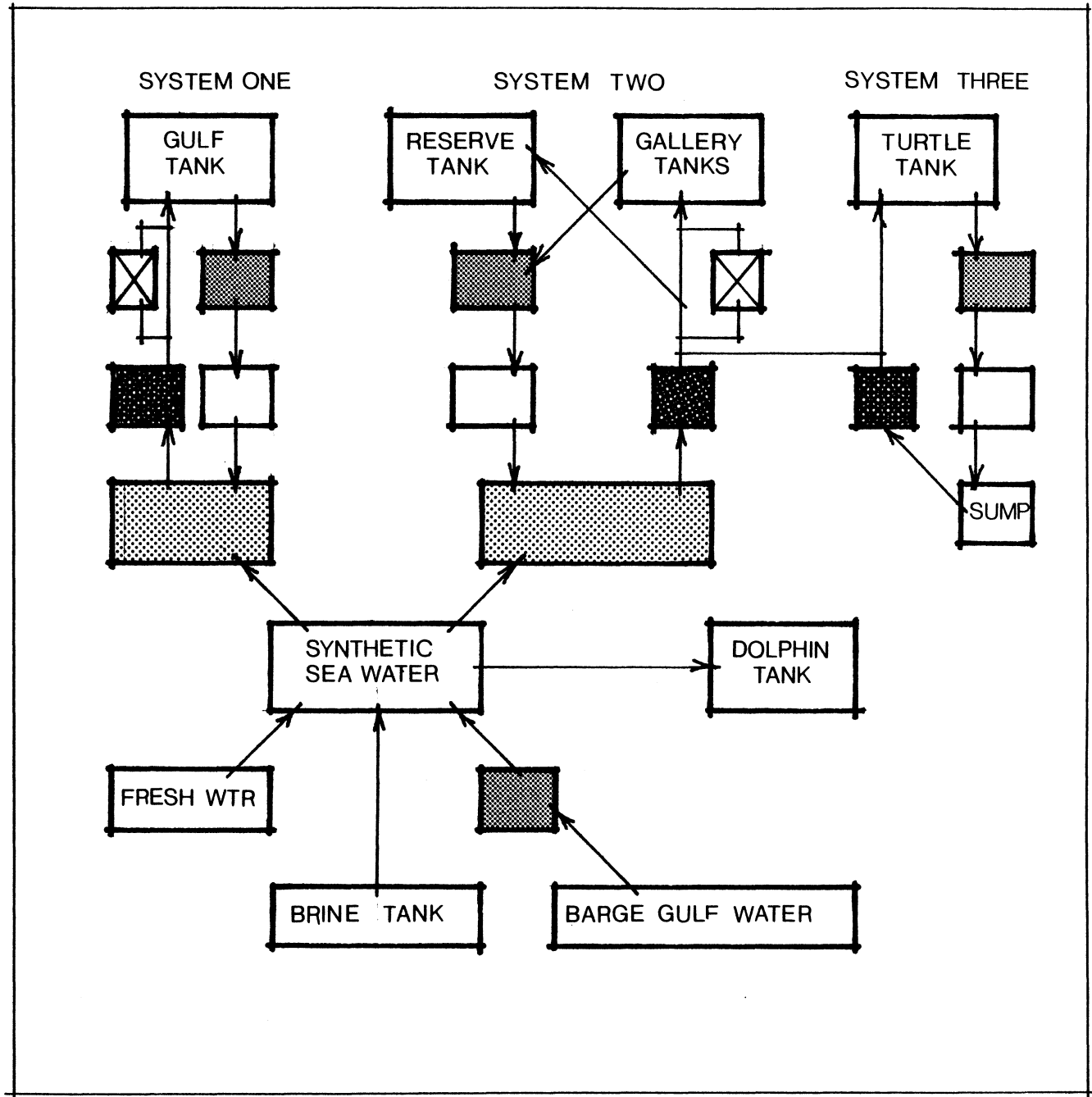
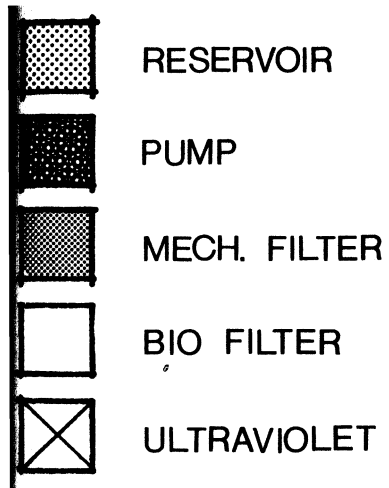
SYSTEM NUMBER TWO

SEAWATER WILL BE PUMPED FROM THE # 2 SEAWATER RESERVOIR TO THE GALLERY RESERVE TANKS. THE TANKS WILL BE DESIGNED WITH SCUM GUTTERS SO THAT THE SURFACES ARE SKIMMED, THE WATER COLLECTED AND RETURNED THROUGH A MECHANICAL FILTER AND A BIOLOGICAL FILTER TO THE # 2 RESERVOIR. THERE WILL BE AN ULTRAVIOLET STERILIZING UNIT LOCATED ON A PARALLEL LINE BETWEEN THE PUMP AND THE GALLERY EXHIBIT AND RESERVE TANKS WILL BE FITTED WITH SUBSAND FILTERS AND AIRLIFT PUMPS. AS IN SYSTEM NUMBER ONE THE MECHANICAL FILTER WILL BE A MIXED MEDIA FILTER INCLUDING ACTIVATED CHARCOAL.

SYSTEM NUMBER THREE

SEAWATER WILL BE PUMPED OUT OF RESERVOIR # 2 INTO THE SEA TURTLE TANK BUT NO WATER WILL BE RETURNED TO RESERVOIR # 3. THE SEA TURTLE TANK WILL HAVE A SCUM GUTTER. THE WATER WILL BE RECIRCULATED THROUGH A MECHANICAL FILTER, A BIOLOGICAL FILTER TO A SUMP, THEN WILL BE PUMPED BACK TO THE TURTLE TANK. THE MECHANICAL FILTER WILL BE A MIXED MEDIA FILTER

LIFE
SUPPORT
SYSTEMS



THE TEXAS STATE AQUARIUM * CORPUS CHRISTI, TX.

GOALS AND CONCEPTS

GOALS &
CONCEPTS:
FUNCTION

GOAL : PROVIDE COMPLETE SEPARATION BETWEEN GENERAL PUBLIC AND PRIVATE FUNCTIONS OF THE FACILITY TO PREVENT VISITORS FROM ENTERING THE PRIVATE SECTORS OF THE COMPLEX.

CONCEPT : PHYSICALLY SEPARATE THE PUBLIC FROM THE PRIVATE FUNCTIONS AND POSSIBLY USE THE ADMINISTRATION AS A LINK CONNECTION BETWEEN THEM.

GOAL : CREATE A FACILITY TO EDUCATE THE GENERAL PUBLIC ON THE ECOLOGY OF THE TEXAS COAST AND THE CARIBBEAN.

CONCEPT : THRU THE DISPLAYING OF LIVING AQUATIC FISH IN THEIR NATURAL HABITAT AND THRU EDUCATIONAL CLASSES AND SEMINARS HELD IN THE AUDITORIUM AND IN THE CLASS-ROOMS.

GOALS : CREATE A FACILITY THAT WILL DOUBLE AS AN URBAN MARINE BIOLOGY LABORATORY AND A LEARNING LABORATORY FOR THE SURROUNDING SCHOOLS AND THE GENERAL PUBLIC.

GOALS &
CONCEPTS:
FUNCTION

CONCEPT : THRU THE PHYSICAL UNIFICATION OF THE SPECIALIZED PRIVATE LABORATORIES WITH THE GENERAL LEARNING LABORATORIES, ALONG WITH THE PUBLIC AQUARIUM DISPLAYS AND CLASSROOMS THE STUDENTS CAN BE TAUGHT THE WHOLE REALM OF LIFE IN THE UNDERSEA WORLD OF THE GULF COAST.

GOAL : CREATE A FACILITY WHICH WILL ACCOMODATE LARGE GROUPS OF PEOPLE AS WELL AS THE INDIVIDUAL.

CONCEPT : PROVIDE USERS A CHOICE OF LARGE OPEN SPACES AND INTIMATE PUBLIC SPACES.

GOAL : PROVIDE A SENSE OF ORIENTATION WITHIN THE FACILITY TO PREVENT THE FEELING OF BEING LOST.

CONCEPT : USING CLEARLY DEFINED CIRCULATION, GRAPHICS, ARTIFICIAL AND DAYLIGHTING SYSTEMS AND POSSIBLE A FOCAL POINT AS A REFERENCE WITHIN THE COMPLEX.

GOALS & CONCEPTS: FUNCTION

GOAL : PROVIDE EASY ACCESSIBILITY OF WATER PIPES FOR EASY MAINTENENCE AND REPAIRS.

CONCEPT : LEAVE ALL PLUMBING IN SUPPORT AREAS EXPOSED AND DESIGN HIDDEN ACCESS PANELS IF NEEDED IN PUBLIC AREAS, AND COLOR CODE ALL PIPING FOR EASY IDENTIFICATION.

GOAL : TO GIVE EACH DISPLAY ITS OWN INDIVIDUALITY, MONOTOMY WITHIN THE ORGANIZATIONAL LAYOUT OF THE EXHIBITS SHOULD BE AVOIDED.

CONCEPT : USE ALCOVES, JUT-OUTS AND ODD ANGLED PLACEMENTS OF EXHIBITS TO PROVIDE VARIETY, INTEREST AND SURPRISE.

GOAL : PROVIDE ACOUSTIC SEPARATION BETWEEN THE SERVICE AND PUBLIC AREAS.

CONCEPT : THRU PHYSICAL SEPARATION OF THE SPACES AND IF THIS IS NOT POSSIBLE ACOUSTIC INSULATION MATERIALS CAN PROVIDE ADEQUATE ACOUSTICAL INSULATION.

**GOALS &
CONCEPTS:
FUNCTION**

GOAL : PROVIDE CLEAR AND VISIBLE LABELS AND GRAPHICS FOR THE AQUARIUM EXHIBITS SO THAT ALL AGES CAN EASILY READ AND UNDERSTAND THEM.

CONCEPT : THRU THE USE OF PHOTOGRAPHIC TRANSPARENCIES ILLUMINATED FROM THE BACK SIDE AND PLACED SO THAT INDIVIDUALS AS WELL AS LARGE CROWDS CAN EASILY READ THEM.

GOAL : PROVIDE EASY CIRCULATION, VIEWING AND AREAS TO REST FOR THE HANDICAPPED, CHILDREN AND THE ELDERLY.

CONCEPT : THRU AN INTEGRATED STEP-UP OR RAMP TO THE EXHIBIT, CHILDREN AND HANDICAPPED CAN VIEW THE EXHIBITS WITH GREAT EASE AND COMFORTABLE BENCHES IN THE EXHIBIT AREAS WILL PROVIDE NODAL POINTS FOR RESTING, WAITING AND VIEWING THE EXHIBITS.

**GOALS &
CONCEPTS:
FORM**

GOAL : PROMOTE A HIGH PUBLIC IMAGE THAT FITS INTO AND RESPECTS THE EXISTING ARCHITECTURE AND NAUTICAL CHARACTER OF THE SITE AND REGION.

CONCEPT : BY CONSIDERATION OF BUILDING MATERIALS, MASSING, DETAILS AND SITE PLANNING WHICH WILL COMPLIMENT OR CONTRAST THE CHARACTER OF THE SITE.

GOAL : TO PRESERVE THE EXISTING VIEWS INTO AND OUT OF THE SITE.

CONCEPT : THRU SITE PLANNING LOCATE THE BUILDING ON THE SITE SO AS NOT TO RESTRICT THE VIEWS BUT TO ENHANCE THEM BY CREATING NEW VANTAGE POINTS FROM WHICH TO STAND AND SEE THEM.

GOAL : PROVIDE PROTECTION FROM TROPICAL STORMS, HIGHWINDS AND FLOODING.

CONCEPT : THRU STRUCTURAL PILING A SEPARATION OF SITE AND BUILDING WILL PREVENT WASHOUT AND THRU MASSING AND STRUCTURAL PLANNING THE BUILDING WILL BE ABLE TO WITHSTAND ALL EXTERNAL FORCES.

GOALS &
CONCEPTS:
ECONOMY

GOAL : MINIMIZE THE MAINTENACE COST OF THE FACILITY.

CONCEPT : THRU QUALITY BUILDING MATERIALS, BOTH INTERIOR
AND EXTERIOR, THAT WILL REQUIRE MINIMAL MAINTEN-
ANCE, ESPECIALLY IN THE SUPPORT AND EXHIBIT AREAS.

GOAL : MINIMIZE THE OPERATIONAL COST OF THE FACILITY.

CONCEPT : THRU THE MANIPULATION OF THE BUILDINGS FORM,
CONSTRUCTION, AWARENESS OF CLIMATIC CONDITIONS
AND THE POSSIBILITY OF PASSIVE OR ALTERNATE ENERGY
CONSERVATIONS, THE OPERATIONAL COSTS CAN BE
MINIMIZED.

GOALS &
CONCEPTS:
TIME

GOAL : RPROVIDE MAXIMUM LIFE SPAN FOR THE AQUARIUMS LIFE
AND THE FACILITY ITSELF.

CONCEPT : THRU THE USE OF HIGH QUALITY MATERIALS.

GOAL : ALLOW FOR POTENTIAL BUT MINIMAL EXPANSION.

CONCEPT : THE FUTURE EXPANSION (WHICH WILL BE MINIMAL) CAN
BE DEALT WITH THRU SITE PLANNING ANF FUNCTIONAL
ZONING.

STATEMENT OF THE PROBLEM

STATEMENT OF THE PROBLEM

TIME : SINCE THE AQUARIUM MUST SUSTAIN A HIGH QUALITY OF AQUATIC LIFE, THE QUALITY OF MATERIALS AND CONSTRUCTION SHOULD BE DURABLE TO INSURE LONGEVITY AND STABILITY IN ITS ENVIRONMENT, INTERNALLY AND EXTERNALLY.

ECONOMY : SINCE THE AQUARIUM IS THE DISPLAY CASE OF THE GULF OF MEXICO AND THE TEXAS COST, AND REPRESENTS THE STATE OF TEXAS IT SHOULD BE CONSTRUCTED IN ONE PHASE, AND WITHOUT CONSIDERATION OF COST.

FORM : SINCE THE FACILITY IS MAINLY SUPPORTED BY THE TOURIST MARKET, AND IS LOCATED ON A SITE WITH HIGH VISUAL ACCESS, THE EXTERNAL IMAGE SHOULD BE VERY PRONOUNCED AND ENHANCE THE SITE'S CHARACTER.

SINCE THE COMPLEX CONTAINS NUMEROUS FUNCTIONS, EXHIBITS, RESEARCH LABORATORIES, RESTAURANTS, EDUCATIONAL ROOMS, ETC. THE IMAGE AS A WHOLE SHOULD MAINTAIN A CONSISTENT THEME THAT UNIFIES THE FACILITY.

STATEMENT OF THE PROBLEM

SINCE THE AQUARIUM IS SITUATED ON THE EDGE OF THE GULF AND ON THE CORPUS CHRISTI BAYFRONT AREA, THE MASSING AND FORM SHOULD TAKE INTO CONSIDERATION THE PROBLEMS OF HIGH HURICANE WINDS AND FLOODING THAT PERIODICALLY OCCUR WITHIN THE REGION.

FUNCTION: SINCE THE PRIMARY FUNCTION OF THE COMPLEX IS TO EDUCATE AND EXPOSE LARGE NUMBERS OF VISITORS TO THE AQUATIC INHABITANTS OF THE GULF OF MEXICO, CARIBBEAN AND TEXAS COASTS, THE AQUARIUM SHOULD MAINLY FOCUS ON THE LIVING EXHIBITS THRU THE USE OF DIRECTIONAL AND CLEAR CIRCULATION FROM THE PUBLIC SPACES THRU THE EXHIBITS AND BACK TO THE ENTRY.

SINCE THE SECONDARY FUNCTION OF THE COMPLEX IS DEDICATED TO THE PRESERVATION, STUDY AND RESEARCH OF AQUATIC LIFE, THE RESEARCH DEPARTMENT SHOULD MAINTAIN ITS PRIVACY, WHILE MEETING THE NECESSARY FUNCTIONAL RELATIONSHIPS WITH THE REST OF THE FACILITY.

STATEMENT
OF THE
PROBLEM

SINCE THE COMPLEX CONTAINS A RESTUARANT AND A
LARGE AUDITORIUM FOR VISITING LECTURERS, MEMBER-
SHIP MEETINGS ETC... THE FACILITY SHOULD BE
ACCESSABLE FOR LATE NIGHT AND EARLY MORNING
OPENINGS, AND STILL MAINTAIN THE SECURITY OF THE
EXHIBITS.

RESOURCES

RESOURCES

THE CORPUS CHRISTI AQUARIUM PROGRAM

A PROGRAM FOR DEVELOPMENT, BY MURRAY A. NEWMAN, PH.D.

THE NATIONAL AQUARIUM IN BALTIMORE PROGRAM

CAMBRIDGE SEVEN ASSOCIATES, INC.

THE SEATTLE AQUARIUM EXHIBIT PROGRAM

TECHNICAL REPRINT NO. 59, KRAMER, CHIN AND MAYO,
ENGINEERS AND BIOLOGISTS/MANAGERS.

PAMPHLETS OF THE MONTEREY BAY AQUARIUM

ESHERICK HOMSEY DODGE AND DAVIS, ARCHITECTS.

AQUARIUM SYSTEMS

HAWKINS

FAO SPECIES CATALOGUE

SHARKS OF THE WORLD

FISHES OF THE NORTH AMERICA

HERALD

MR. QUENTON DOKKEN

CORPUS CHRISTI AQUARIUM ASSOCIATION

THE TEXAS STATE AQUARIUM * CORPUS CHRISTI, TX.



The Texas State Aquarium
 Corpus Christi, TX - price
 (Arch. Library)